




Nero

MECCA SHOWER MIXER WITH DIVERTOR SEPARATE PLATE

SPECIFICATION

PRODUCT CODE	YSW2219-09T
WELS RATING	N/A
WATERMARK LICENSE	WM-060073
TEMPERATURE RATING	MIN 1°C-MAX 75°C
PRESSURE RATING	MIN 150KPa-MAX 500KPa

FINISH

	NR221909tCH	chrome
	NR221909tMB	matte black
	NR221909tBN	brushed nickel
	NR221909tGM	gun metal
	NR221909tBG	brushed gold
	NR221909tBZ	brushed bronze

MAINTENANCE AND CARE

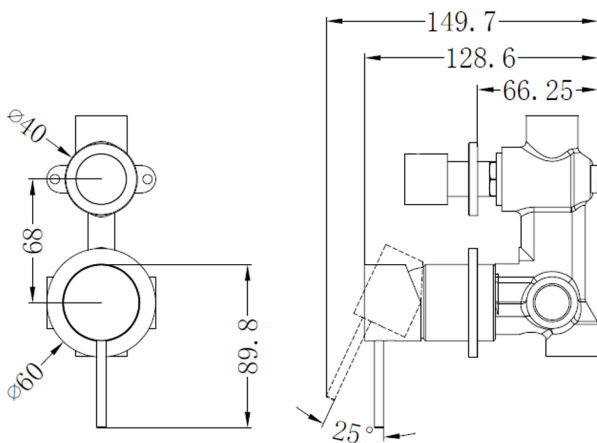
All surfaces should be cleaned with mild liquid detergent or soap and water.

Do not use cream cleaners or citrus based cleaning products, as they are abrasive.

Use of unsuitable cleaning agents may damage the surface. Any damage caused in this way will not be covered by warranty

PACKAGING INCLUDES

- 1x body set
- 1x handle
- 2x plate
- 1x diverter
- 1x accessories pouch



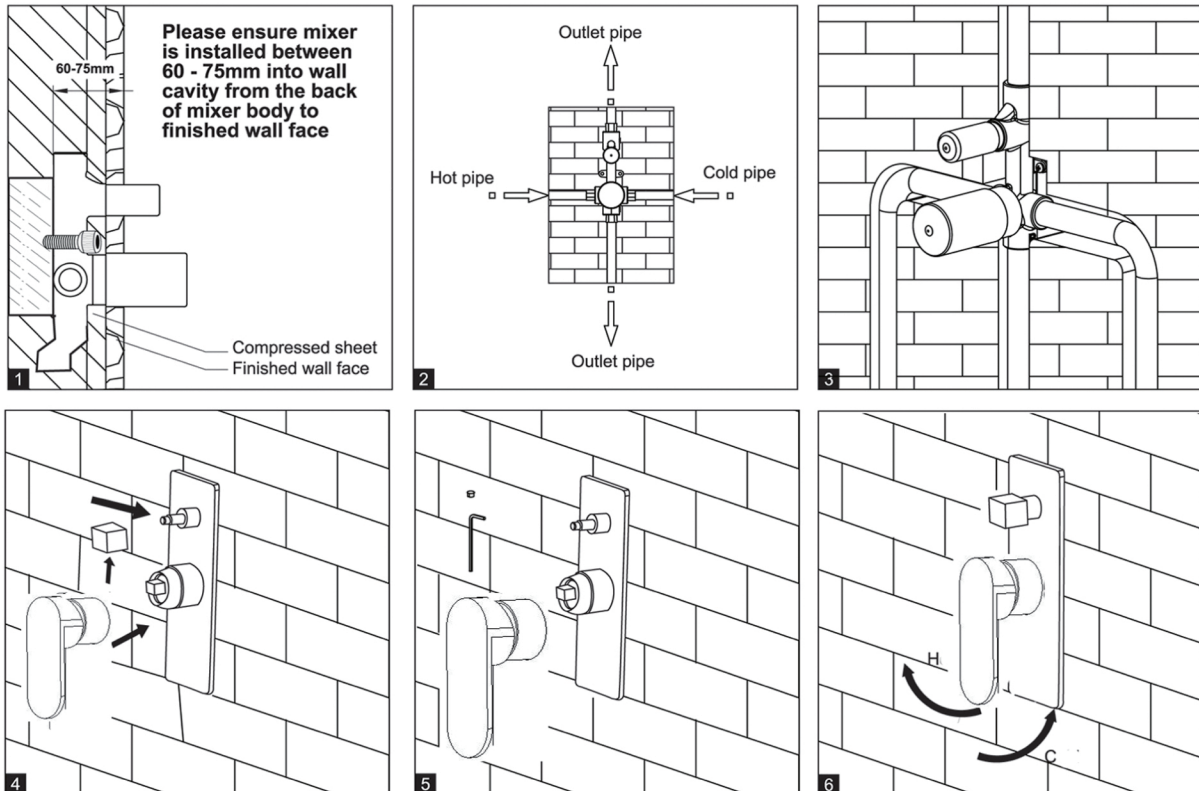
Dimensions are nominal measurements only.



Versions: 2021.06

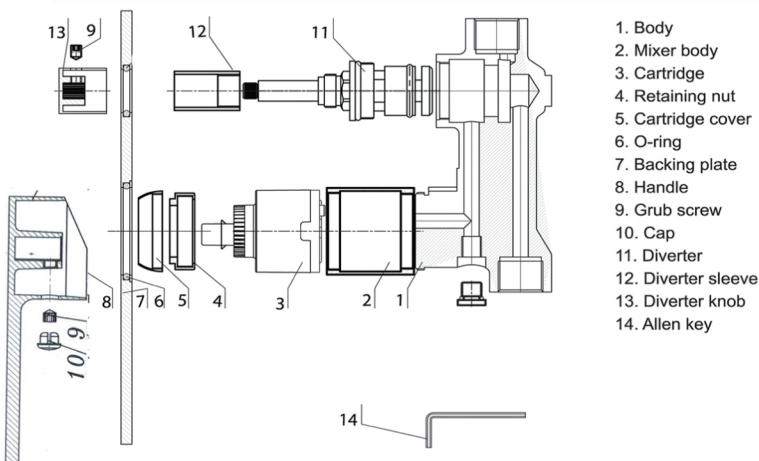
www.nerotapware.com.au

INSTALL INSTRUCTION



1. Install mixer body into wall cavity. Refer to diagram 1 above for setting depth of mixer body in relation to finished wall face.
2. Connect all pipe work as per diagram 2 above.
3. Pressure test for leaks, then proceed to waterproof installation.
4. Remove protective sleeve and install decorator plate.
5. Install handle and diverter knob.
6. Operate mixer diverter.

EXPLOSIVE VIEW



1. Body
2. Mixer body
3. Cartridge
4. Retaining nut
5. Cartridge cover
6. O-ring
7. Backing plate
8. Handle
9. Grub screw
10. Cap
11. Diverter
12. Diverter sleeve
13. Diverter knob
14. Allen key

To remove cartridge

⚠ First shut off the water supply to the tap.

- 1: Remove cap from the handle.
- 2: Loosen the grub screw in handle, but do not remove it.
- 3: Take off the handle, unscrew the cartridge cover.
- 4: Using a correct size spanner unscrew the retaining nut.
- 5: Pull the cartridge out.
- 6: Replace cartridge and reassemble mixer.