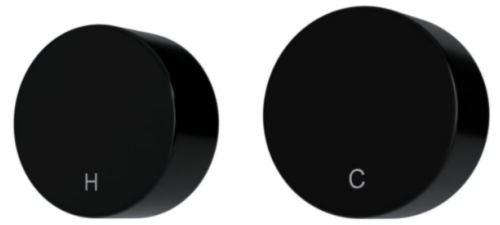


MW11 CIRCULAR WALL TAPS

meir®



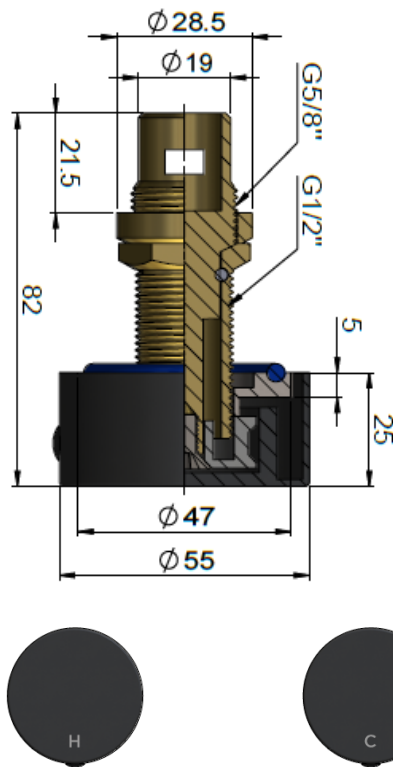
FEATURES

- Refer to the Meir website for warranty terms & conditions, and available finishes
- Flow rate 20 L p/m
- European ceramic cartridge
- Solid brass construction
- Box Weight 0.8 kg

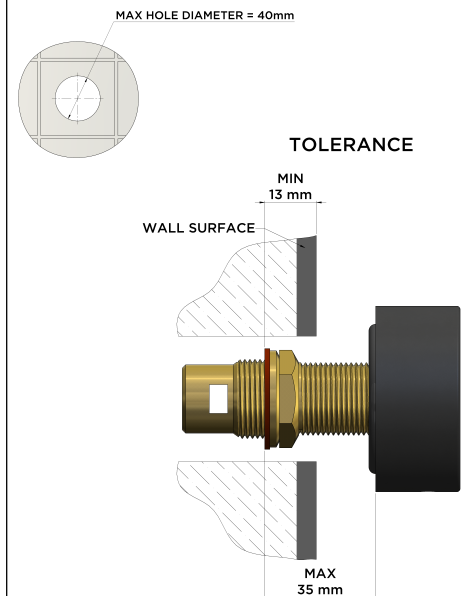
CARE

- Do not install tapware using any form of acetone silicones.
- Do not apply physical items (such as tools) directly to product.
- Never use house-hold or commercial detergents, citrus based cleaners, or abrasive cleaners.
- Clean using a mild washing soap solution rinsed, and dry with a soft cloth.
- Check for any product defects before installation.
- Refer to the installation manual for correct installation.

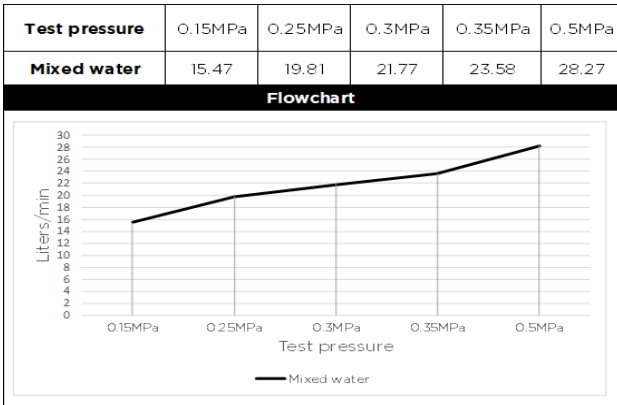
SPECIFICATIONS



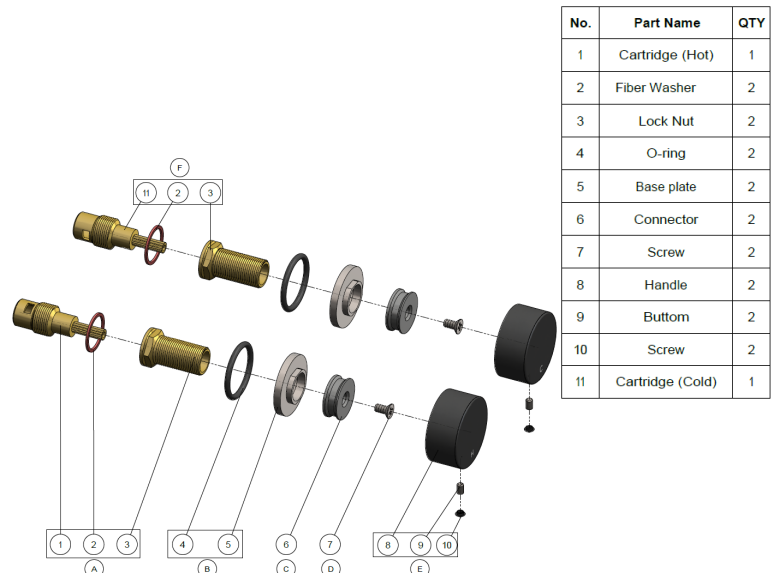
TOLERANCES



FLOW RATE GRAPH



EXPLODED VIEW



CREDENTIALS

- WaterMark AS/NZS 3718:2005