

Oliveri

VITREOUS CHINA

Back to Wall Toilet Suite

Installation instructions for Back to Wall Toilet Suite

THIS TOILET MUST BE INSTALLED BY A LICENSED PLUMBER IN ACCORDANCE WITH LOCAL REGULATIONS

This Oliveri toilet suite is manufactured to Australian standard AS 1172.1 & AS 1172.2

Remove all products from packaging:

Check the product for damage, if the product is damaged return to store of purchase.

Check the product is complete with all components required to install.

This product is to only be installed by a licensed plumber, failing to do so will void warranty.

This product is to be installed as per Australian Standard and local authority requirements.

WARNING: DO NOT BED THE PAN IN PLACE USING CEMENT, CONCRETE OR SIMILAR MATERIAL, DOING SO WILL VOID THE PRODUCT WARRANTY.

1. Mark the centre line of the Pan connector on the floor for "S" trap installation or on the wall for "P" trap installation.
2. Place the pan into position centralising the pan on your centre line, draw around the pan base and mark the entry points on the floor to where the floor fixing holes are on the side of the pan.
3. Remove the pan and drill and screw into place the floor fixing brackets, set the floor fixing brackets 15mm inside the line drawn around the base of the pan. Use suitable floor fixing screws and toggles to suit the floor material.
4. **Critical:** The pan must be on a level surface square to the wall, if the floor slopes away the pan will need to be levelled using suitable floor chocks around the pan to support and stabilise the pan.
5. The standard variance bend(ZH6200) supplied has a set out of 50mm to 170mm, the optional Variance bend (VT103) has a set out of 150mm to 260mm and is purchased as optional extra.

" S" trap installation

6. Place the variance bend into the floor outlet, from the finished floor to the centre of the pan outlet is 180mm, ensure the variance bend is straight and square to the wall and centralised to the pan outlet height, assemble the variance bend wall brace and fix to the finished wall. Measure the distance from the back edge of the pan to the "P" trap edge and add on sufficient length for the Variance bend collar to fully engage the "P" trap.
Remove the locking ring and rubber boot from the Variance bend. The distance between each ridge on the Variance bend is 10mm. Once the excess has been cut off the variance bend reassemble the rubber boot and locking ring.

Oliveri

Munich



Product code: MU1263T
MU1263W
MU1263SC

7. If the Suite is being installed as a bottom entry inlet refer to bottom entry cistern installation before sliding the pan into place.
 8. Slide the pan into place being careful that full engagement of the pan variance bend has been achieved.
- N.B** pre-soaping the rubber boot on the Variance bend will assist with easier engagement of variance bend.
9. Once the pan is in place and connected to the Variance bend screw the pan in place using the supplied fixing screws and cover.

DO NOT OVER TIGHTEN SCREWS AS THIS MAY CAUSE THE PAN TO CRACK.

Cistern Installation:

Bottom Entry only (Preassembly requirement before connecting pan to variance bend):

1. Locate the cistern on to the pan with the sponge gasket placed on the cistern outlet valve tail and connect the tank to pan using attachment bolts.
- (N.B Cistern to Pan assembly bolts are to be tightened down evenly, alternating between the left and right bolt until the cistern and pan have china to china contact).

DO NOT OVER TIGHTEN.

2. Assemble the supplied Female Flexi connector from the side entry inlet valve to the 1/2" BSP inlet Stand Pipe located in the cistern tank.
3. From the underside of the pan connect the 1/2" BSP Female flexi connector to the bottom of the stand pipe and feed the other end of the left or right hand side pan hole dependant on which side the mains pressure inlet is located.
4. Slide Pan and cistern into place following points 8 & 9 in the pan installation section.
5. Connect the flexible hose to the water control valve.
6. Place cistern lid on top of the cistern and check push button workability.
7. Assemble the seat using the seat assembly instructions supplied in the seat box.
Run a bead of plumber grade silicone around the pan and up the edge of the wall to finish off.

Back Entry Only:

1. With the pan in place locate the cistern on to the pan with the sponge gasket placed on the cistern outlet valve tail and connect the tank to pan using attachment bolts. Ensure that

the cistern and pan have china to china contact.
 (N.B Cistern to Pan assembly bolts are to be tightened down evenly, alternating between the left and right bolt until the cistern and pan have china to china contact).

(DO NOT OVER TIGHTEN).

2. Assemble the Water control valve to the 1/2" BSP inlet thread.

3. Connect the supplied Female Flexi connector to the Water Control Valve.

(DO NOT OVER TIGHTEN).

4. Place cistern lid on top of the cistern and check push button workability.

5. Assemble the seat using the seat assembly instructions supplied in the seat box.

Run a bead of plumber grade silicone around the pan and up the edge of the wall to finish off.

DO NOT USE OFFSET PAN COLLARS ON S OR P TRAP INSTALLATIONS AS THIS WILL COMPROMISE WASTE DISCHARGE. DOING SO WILL VOID THE PRODUCT WARRANTY.

IMPORTANT:

Sand and debris move through water pipes. Always Flush the line prior to connecting Toilet Suite inlet pipe to Water Control valve.

CARE & MAINTENANCE

Avoid using abrasive or acid based cleaning products.

WARRANTY:

This Toilet Suite is warranted to be free from manufacturing defects for a period of:

- 10 Years vitreous china
- 2 Years, Valves, fittings and seat.
- 1 Year, seals and labour.

This warranty does not cover against normal wear and will be voided if the product is misused or not installed in accordance with these instructions.

In the event this product is rendered obsolete and a replacement product is required.

Oliveri Solutions Pty Ltd reserves the right to supply a product of equal substitution at their discretion.

Our goods come with guarantees that cannot be excluded under the Australian Consumer Law. You are entitled to a replacement or refund for a major failure and for compensation for any other reasonably foreseeable loss or damage. You are also entitled to have the goods repaired or replaced if the goods fail to be acceptable quality and the failure does not amount to a major failure.

SERVICE

If the problem represents a danger, or damage to property may occur, immediately shut off the water supply.

If the toilet requires servicing, please contact your installer (preferably the one who installed it).

If the installer is satisfied that the problem is not due to poor installation, contact T2 Services Pty Ltd for assistances on:

Ph : (07) 55960738

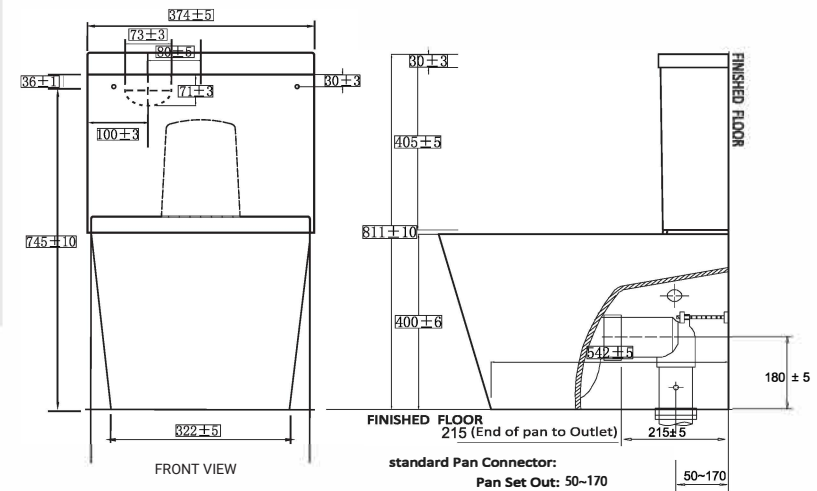
Fax : (07) 55273353

Email:oliveri@t2services.com.au

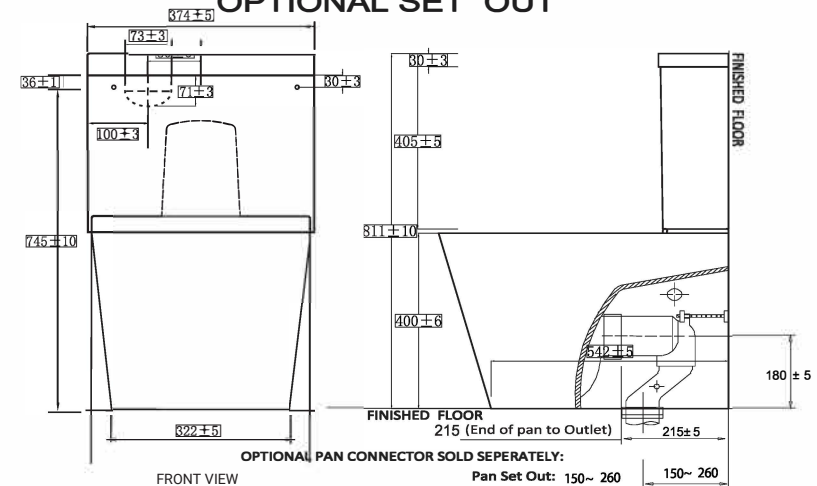
https://oliveri.com.au/service-and-warranty

If the warranty service agent finds that the toilet is not faulty, T2 Services Pty Ltd reserves right to pass on any callout fee to the householder.

SET OUT DRAWING



OPTIONAL SET OUT



UNIT:MM