

LUCY 150

L150DM

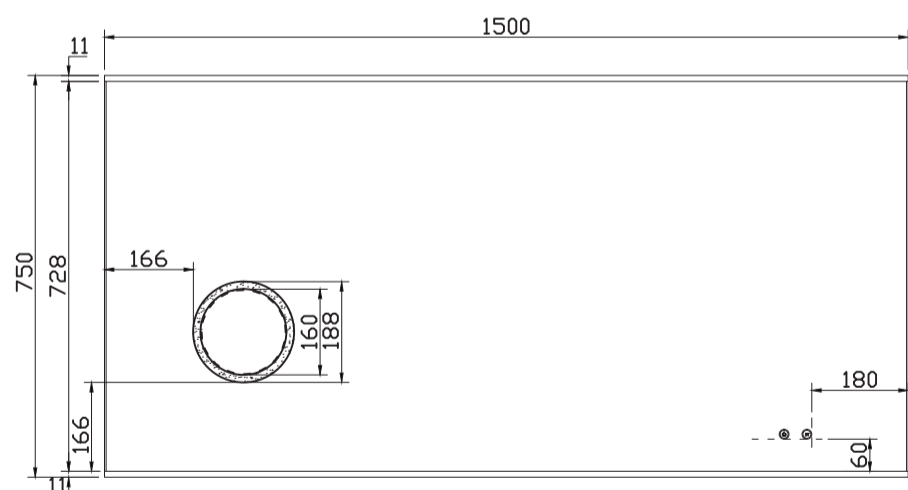
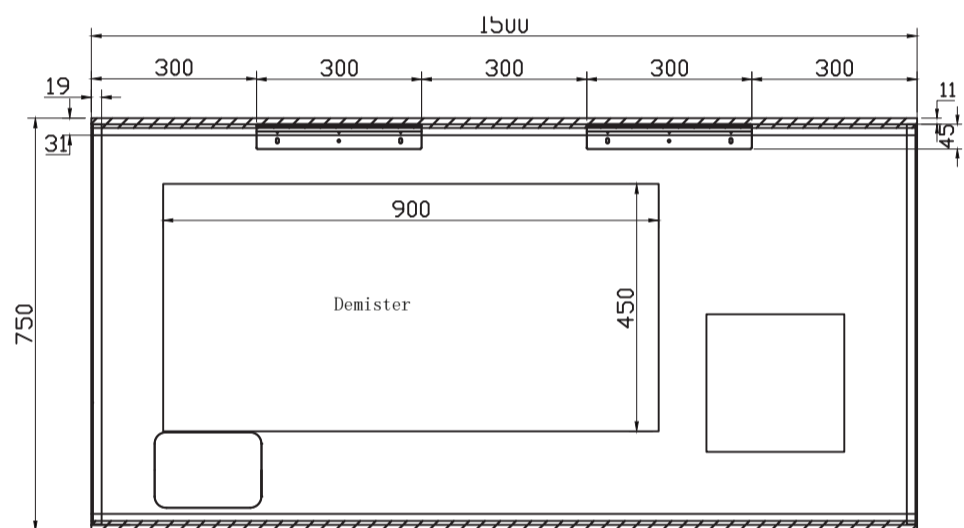


Size (mm):

Width	1500
Height	750
Depth	32

Features

LED Lighting	✓
Copper Free Mirror	✓
Demister	✓
3x Magnifier	✓



WARRANTY
5 years

*Conditions apply

To clean this mirror, wipe it with a soft microfiber cloth or a lint free cloth that has been rinsed in warm water and wrung out well, then rub the mirror gently with a soft dry cloth.

PLEASE do not use glass or window cleaner, or other cleaners with chemical agents. These may damage the silver coating and brown marks can result.

Please confirm all particulars with your sales consultant or refer to our website for more information prior to purchase.