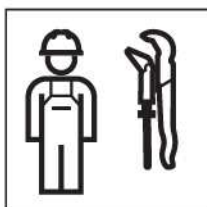
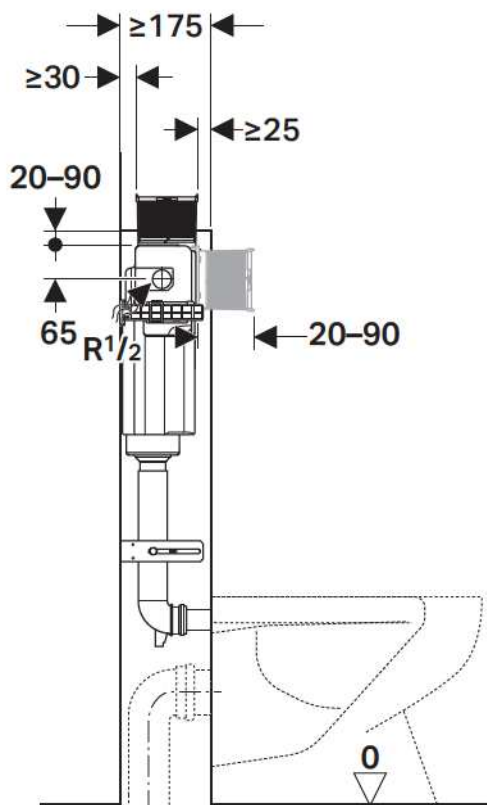
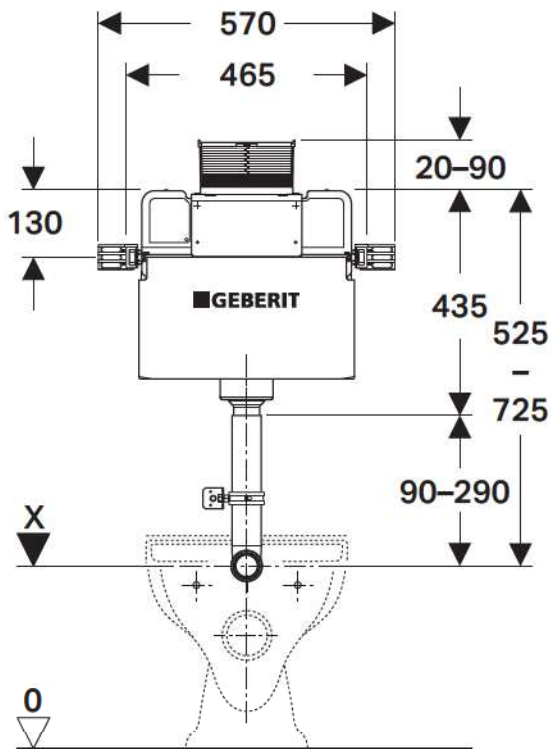
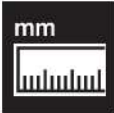


Installation Manual

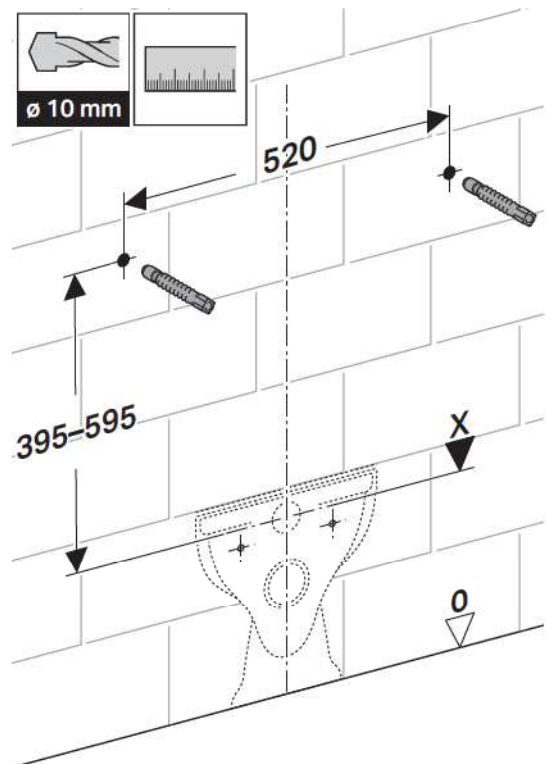
Montageanleitung
Instructions de montage
Istruzioni per il montaggio



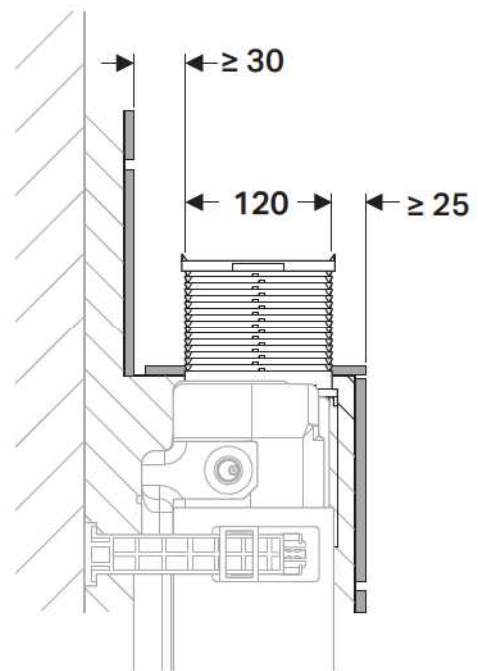


1

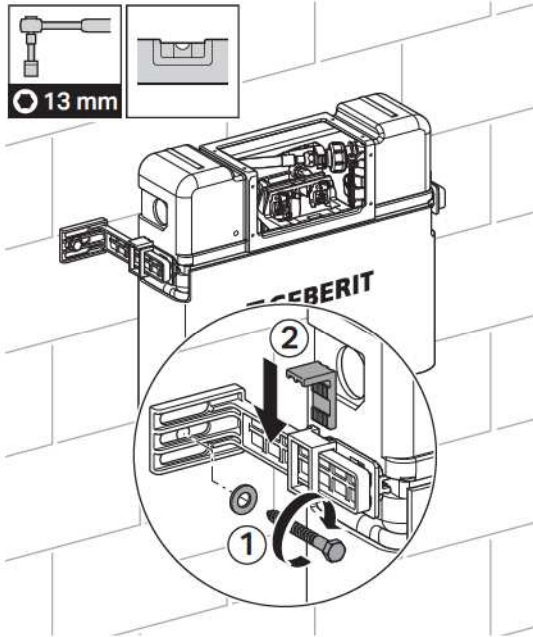
1



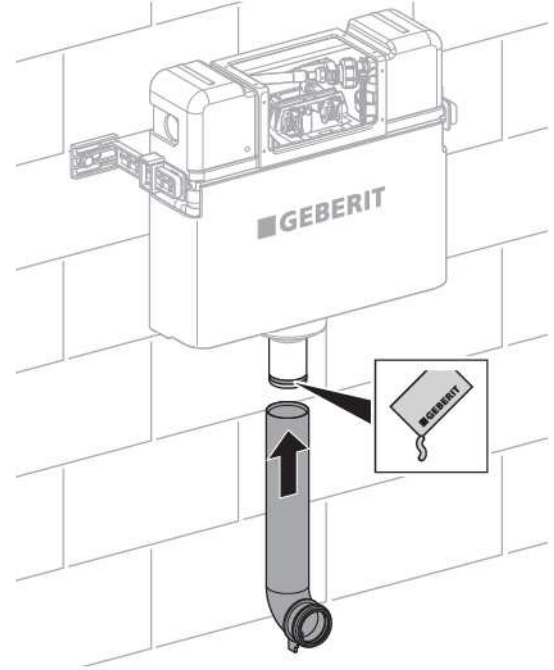
i



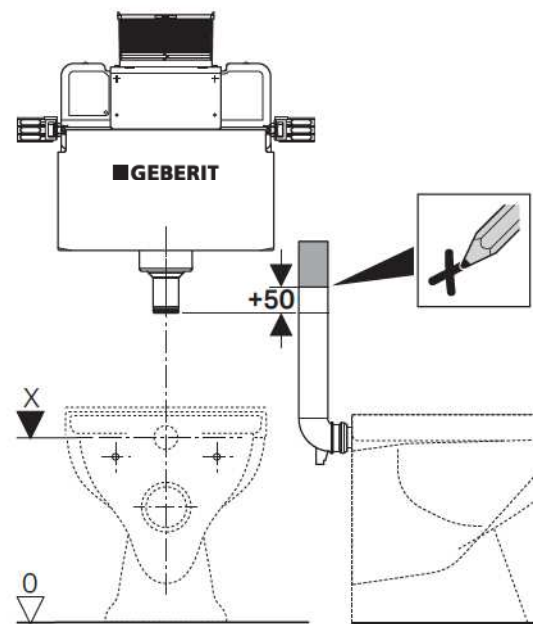
2



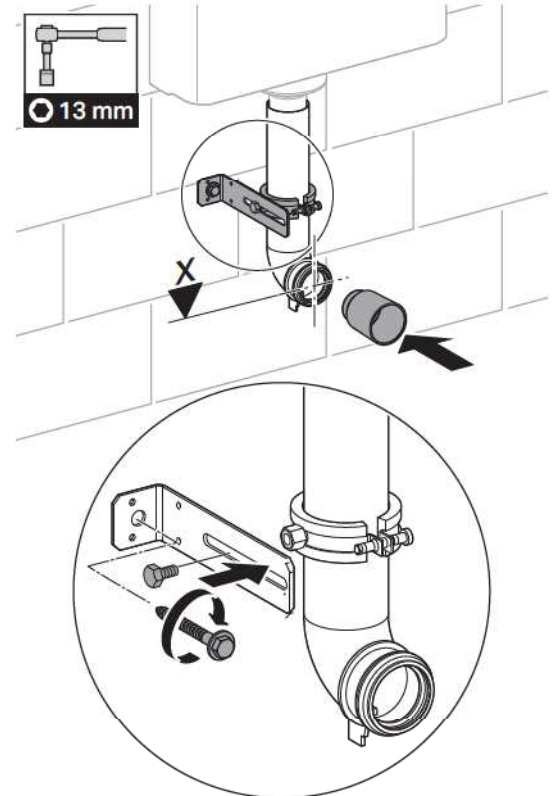
5



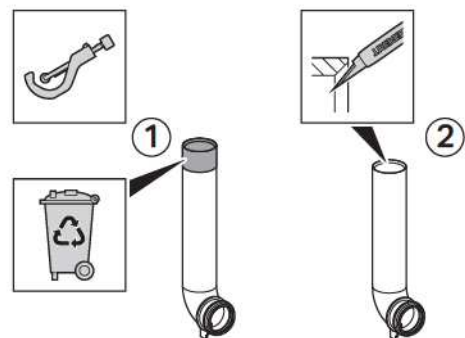
3



6

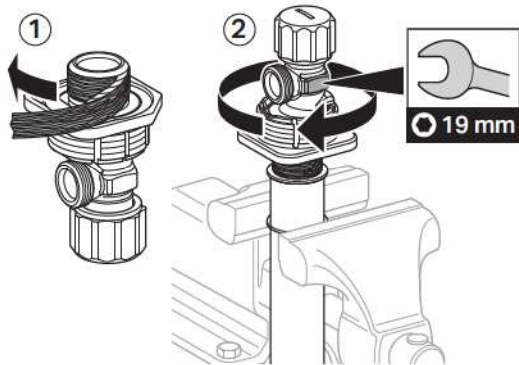


4

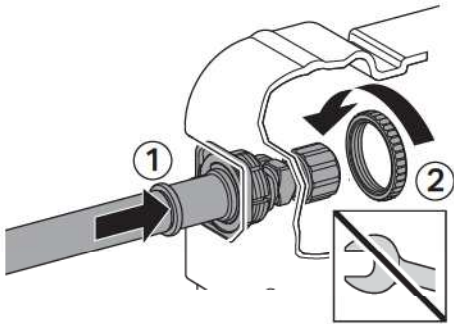


2

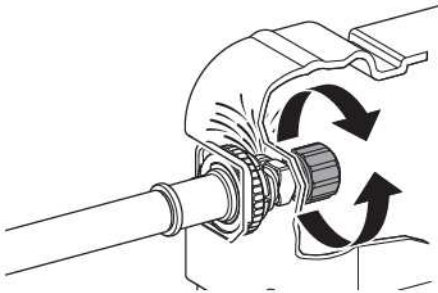
1



2

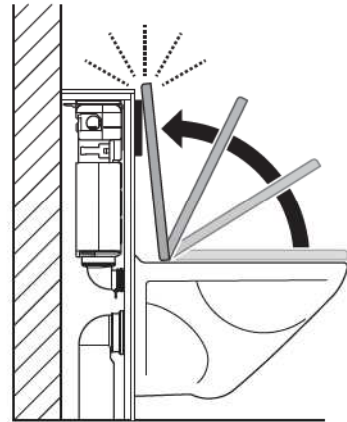


3

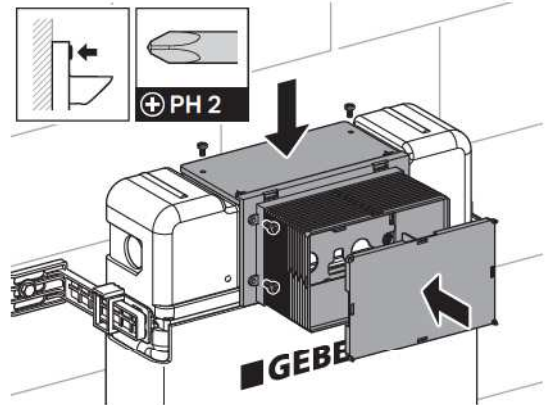
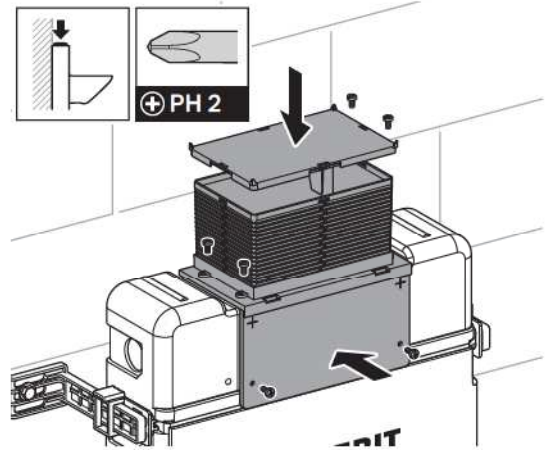


3

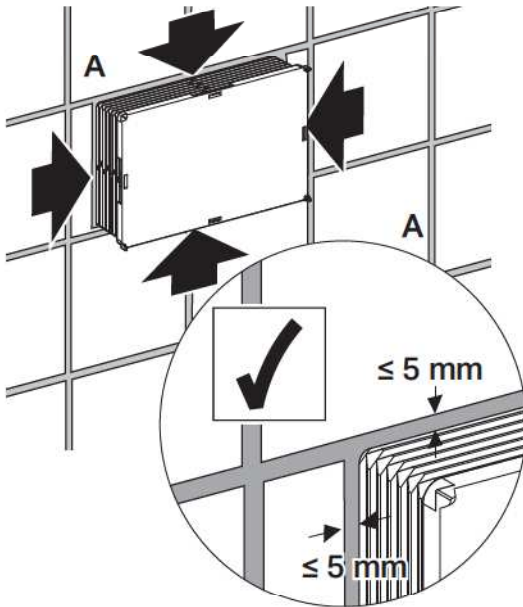
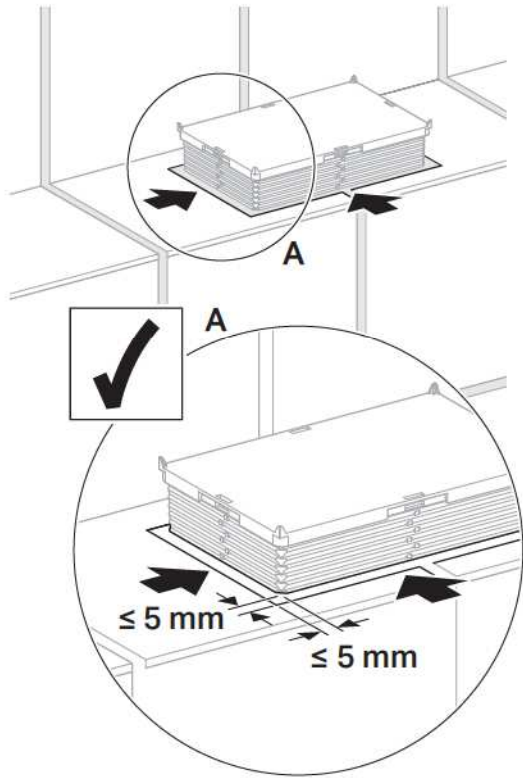
i



1

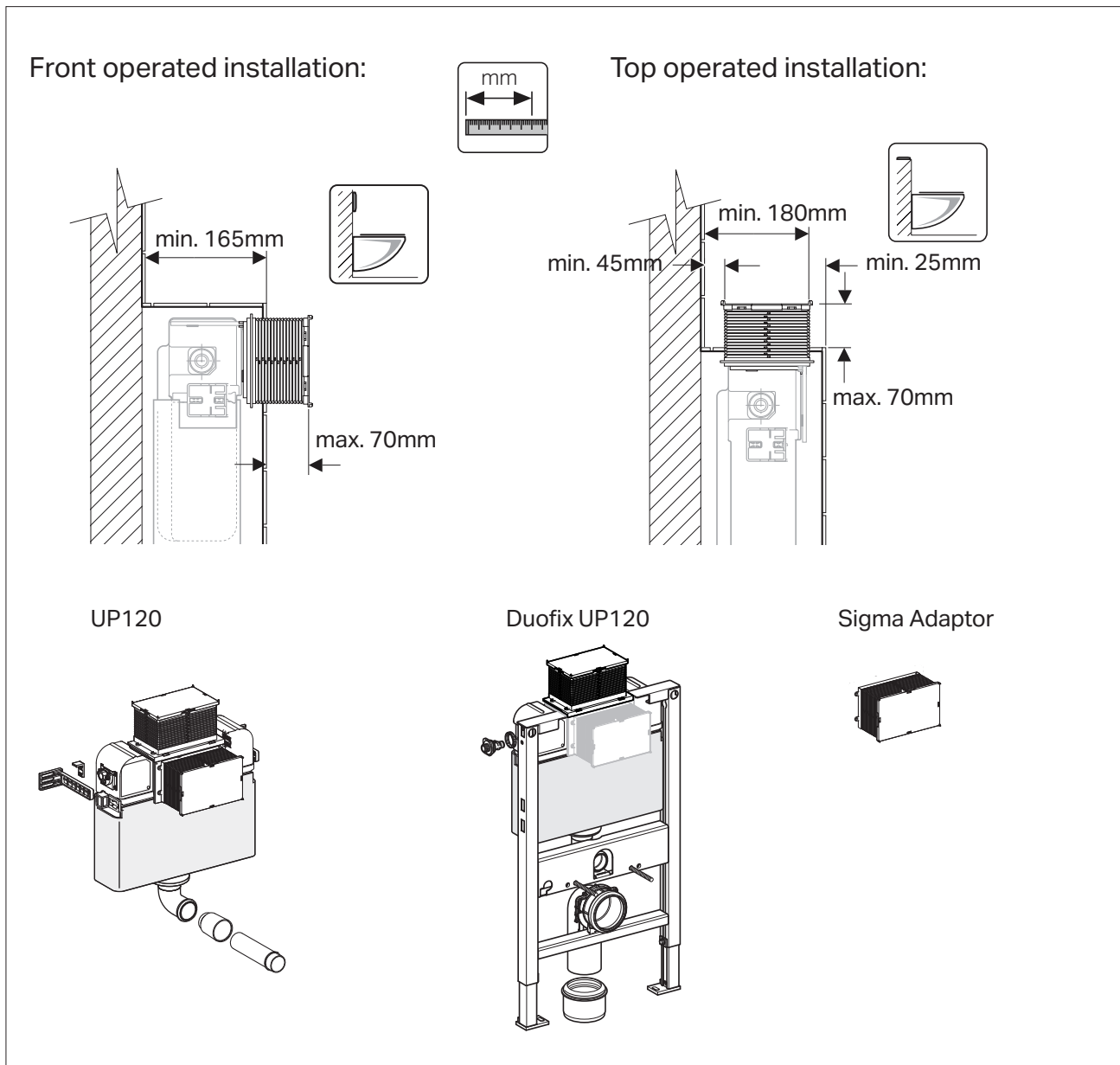


2



Geberit Sigma adaptor

Specification with Duofix UP120 Art. No. 111.26x.00.1 and UP120 Art. No. 110.20x.00.1



Please note: Cistern/Duofix must be installed in accordance to the drawing included in this document! Sigma50, Sigma20, Sigma01 and Bolero push-access plates only!

Description	Art. No.
UP120 concealed cistern top/front operated, 6/3L	110.206.00.1
UP120 concealed cistern top/front operated, 4.5/3L	110.208.00.1
Duofix UP120 installation system top/front operated 6/3L	111.262.00.1
Duofix UP120 installation system top/front operated 4.5/3L	111.263.00.1
Sigma adaptor, for UP120 cisterns	225.008.00.1

Note: Technical details and layouts are schematic only; all details for construction by others; dimensions and technical information can change without further notice. This publication Sigma Adaptor GEAUspec0004.03/12 supersedes all previous publications.

Geberit International AG
Schachenstrasse 77
CH-8645 Jona

T +41 55 221 63 00
F +41 55 221 63 16
documentation@geberit.com

→ www.geberit.com