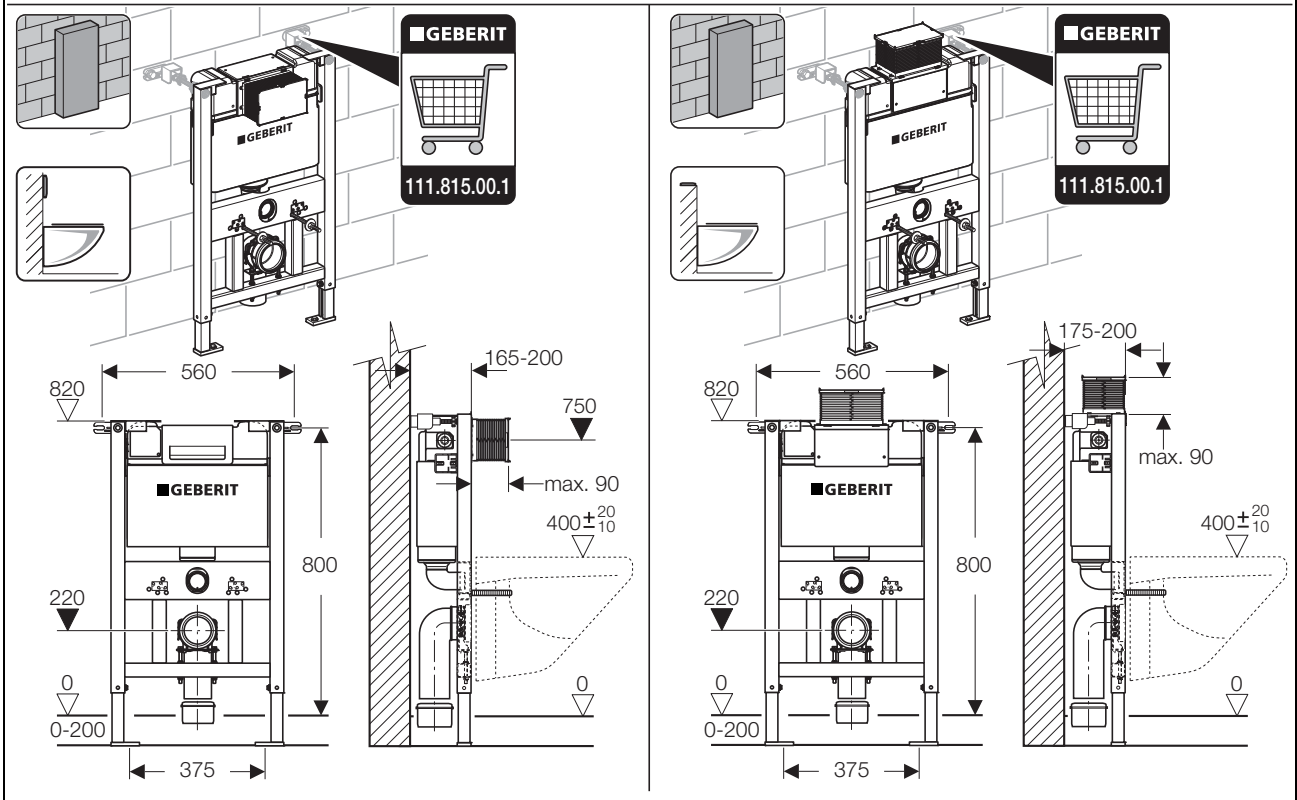
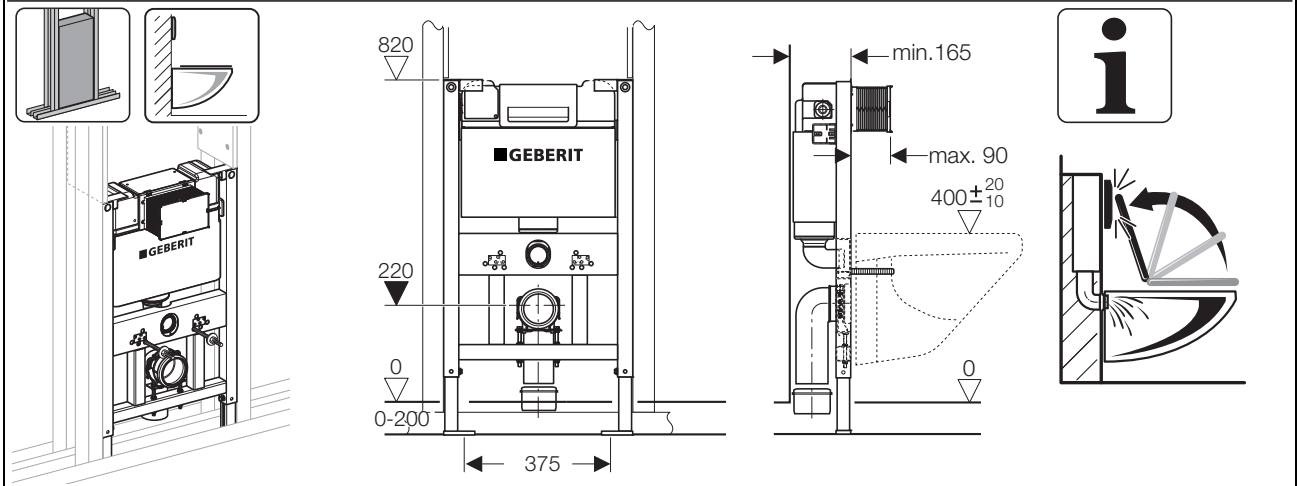
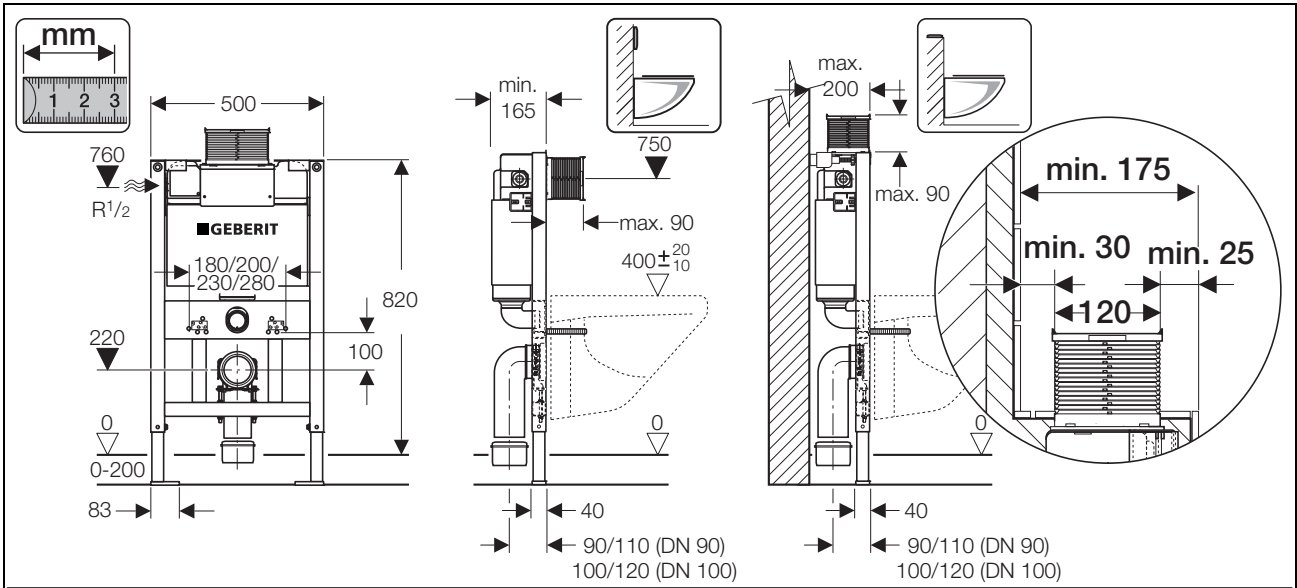
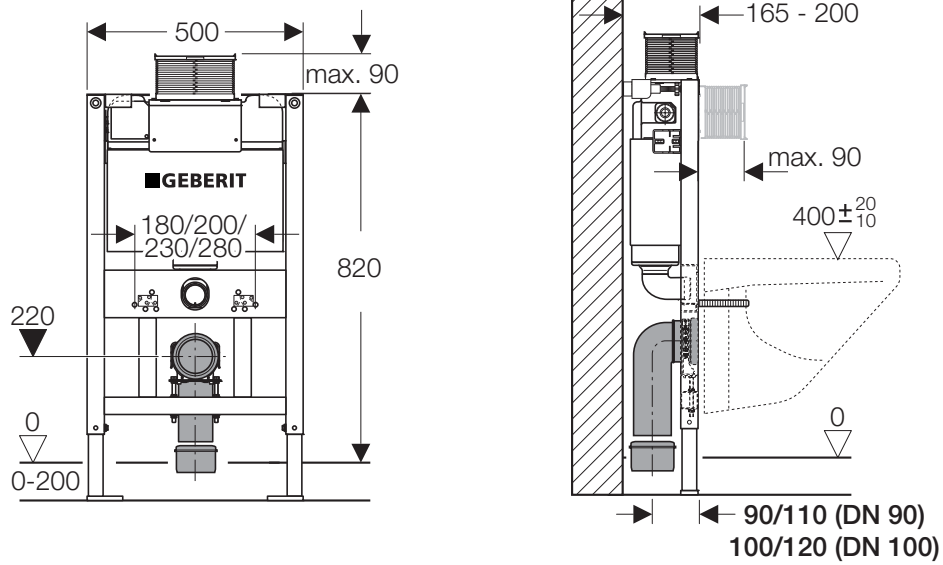


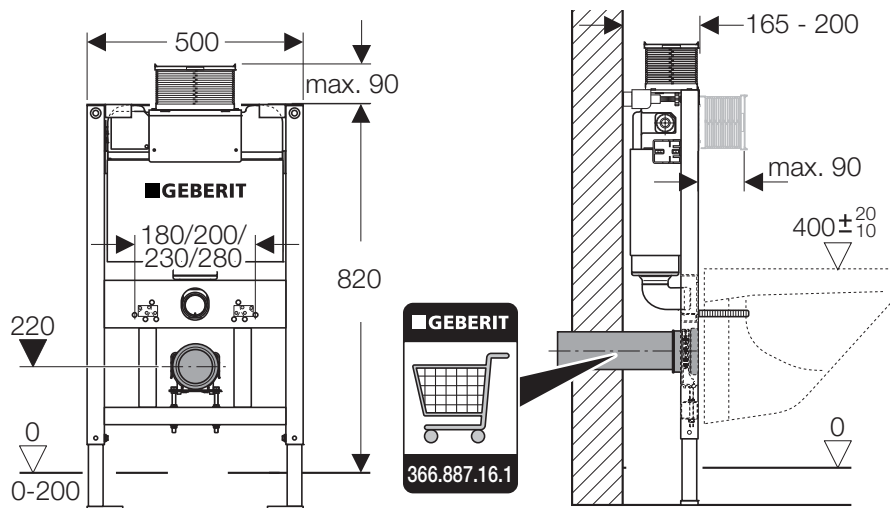
# Installation



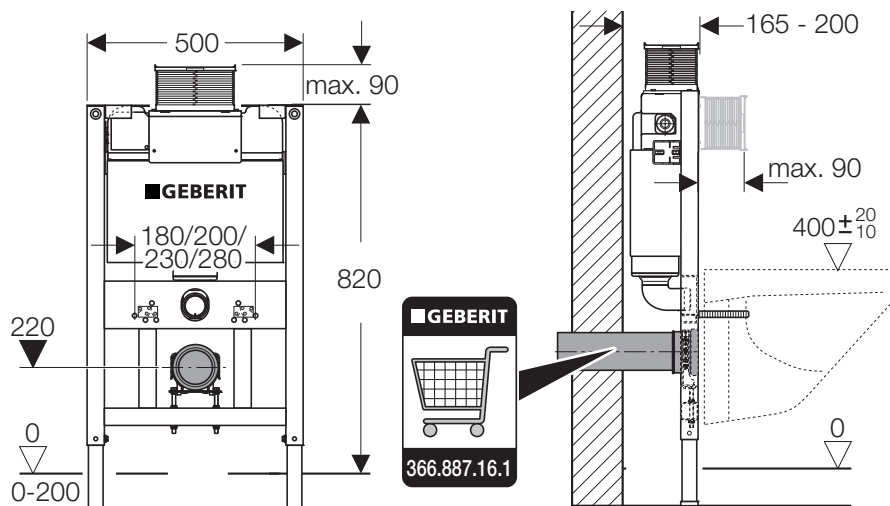
For S - Trap connection



For P - Trap connection **with fixation set Art. No. 111.815.00.1**

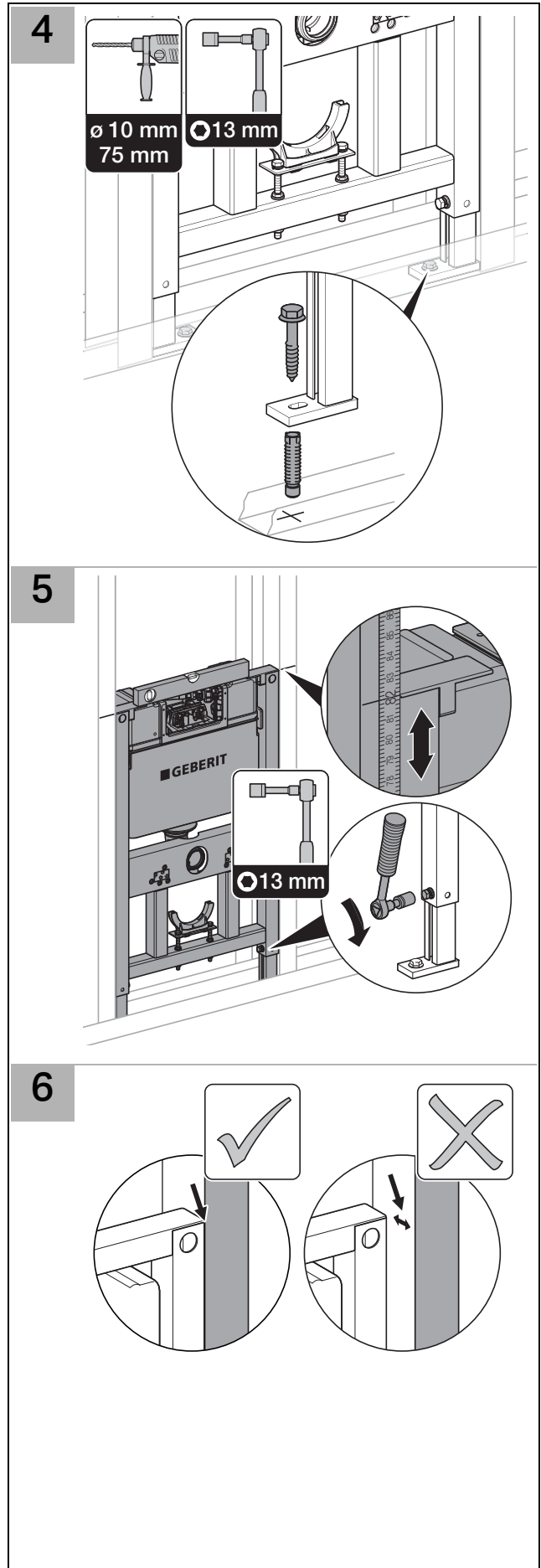
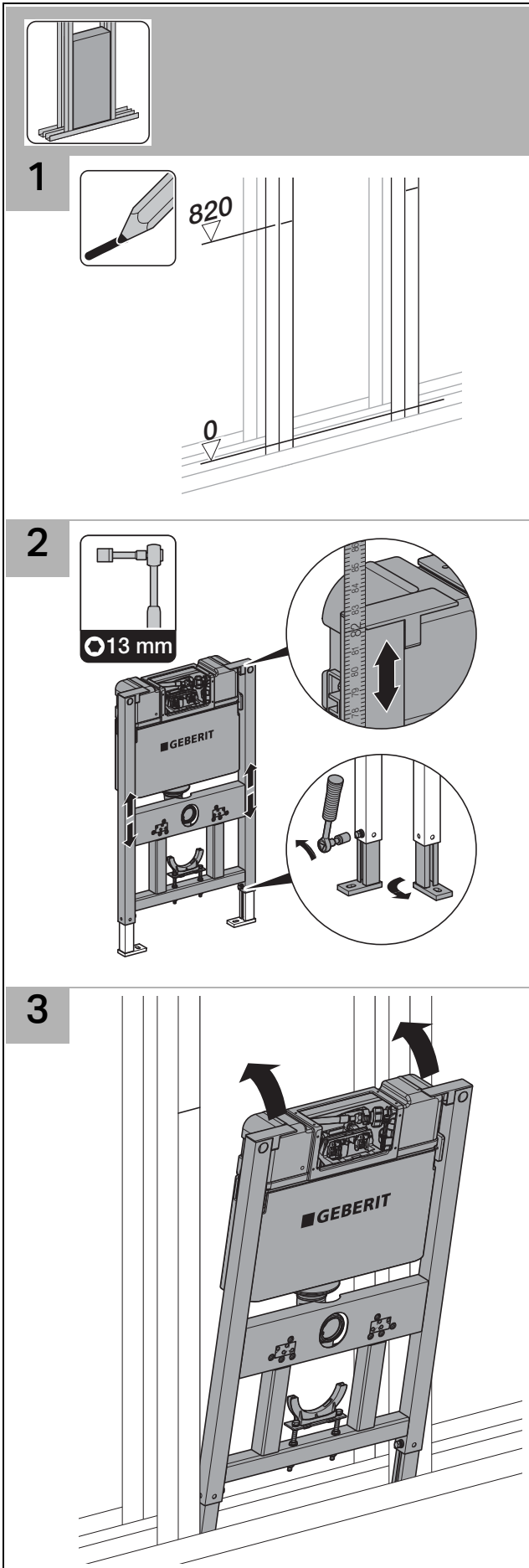


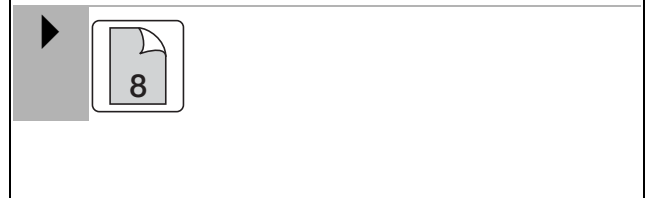
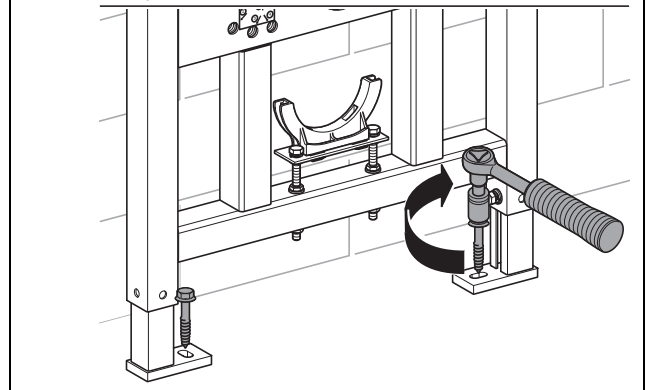
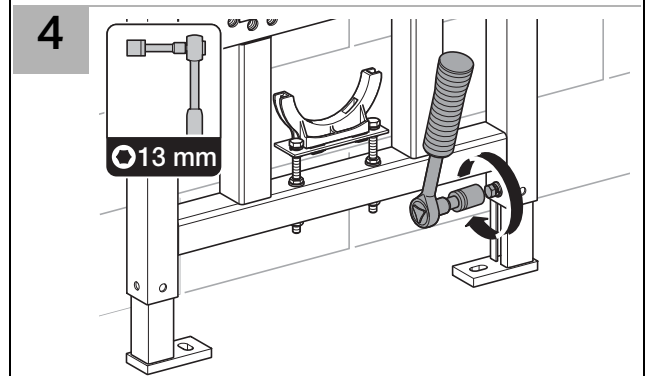
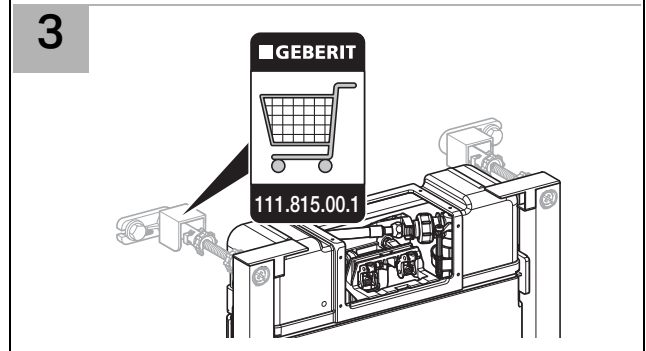
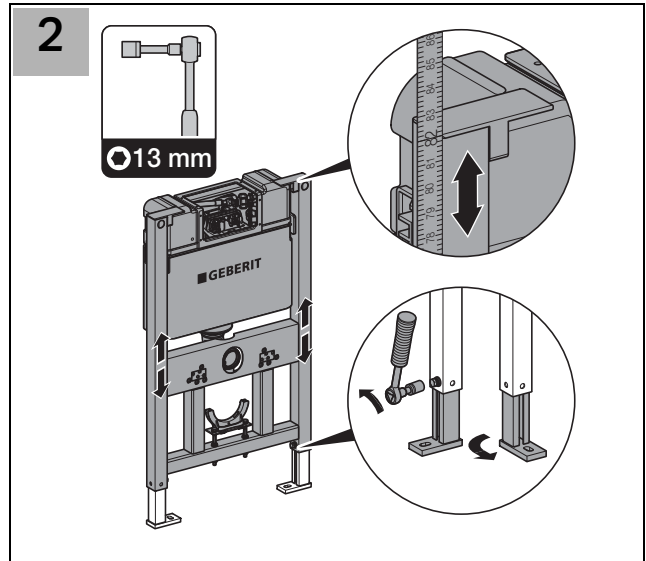
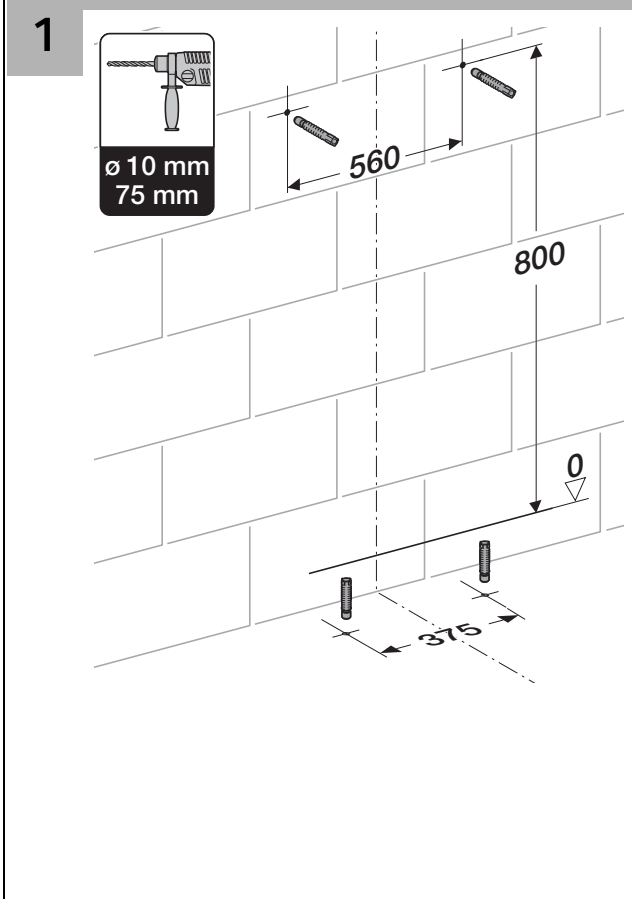
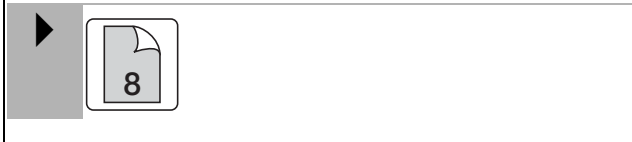
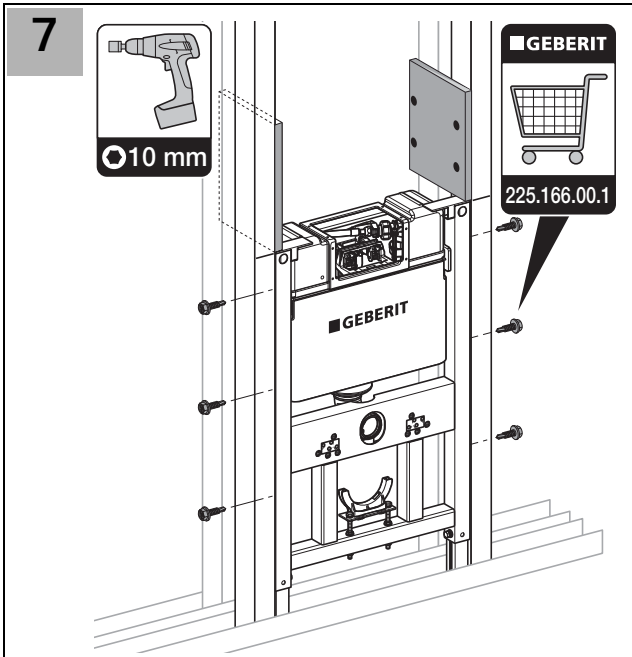
For P - Trap connection **without fixation set Art. No. 111.815.00.1**

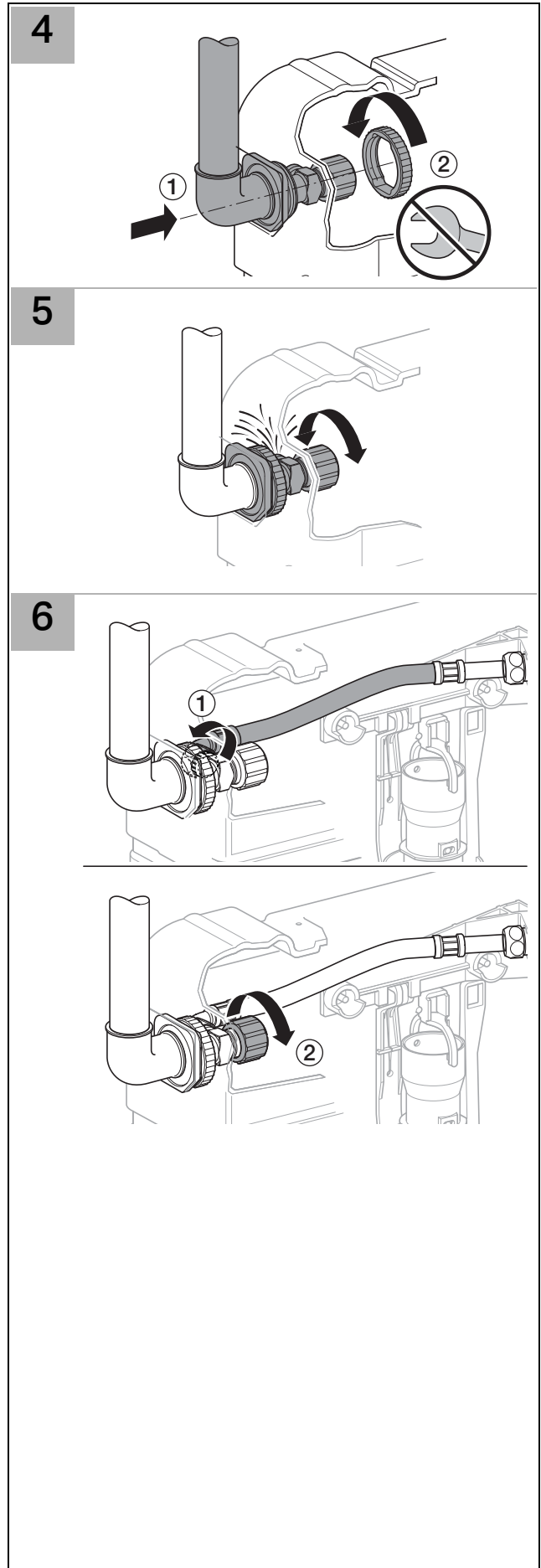
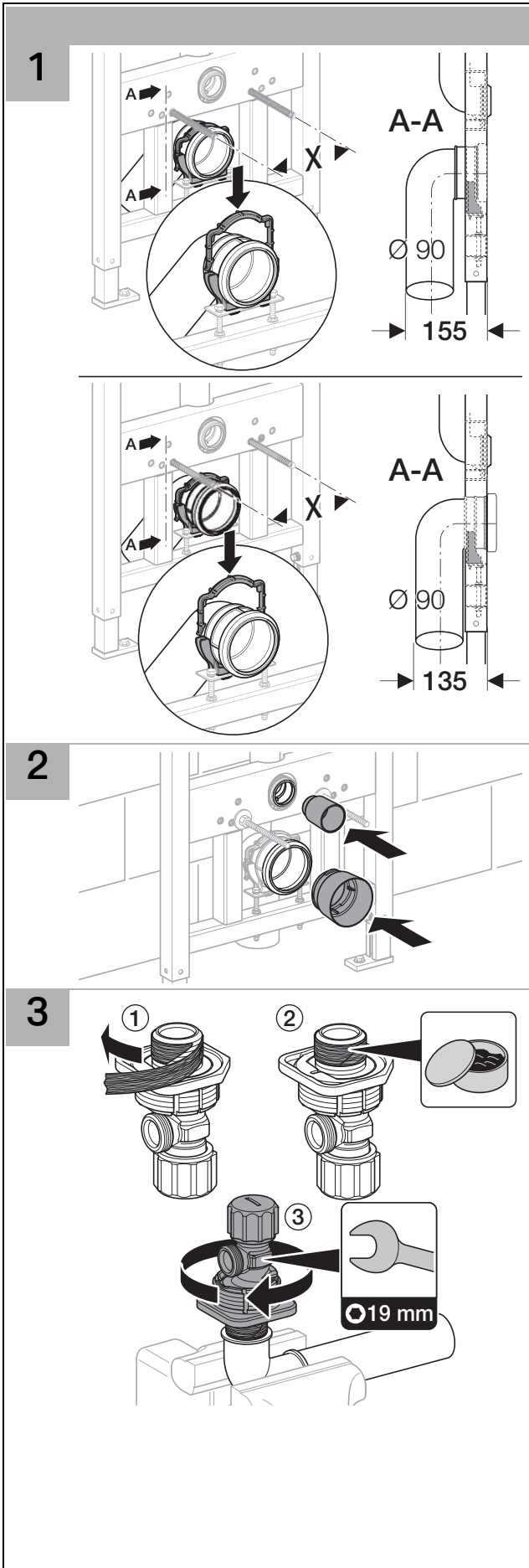






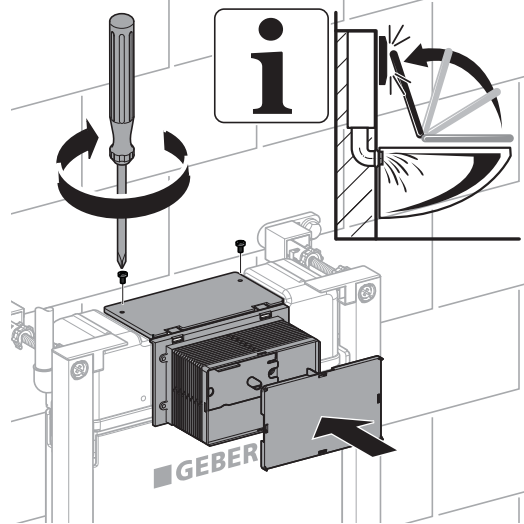
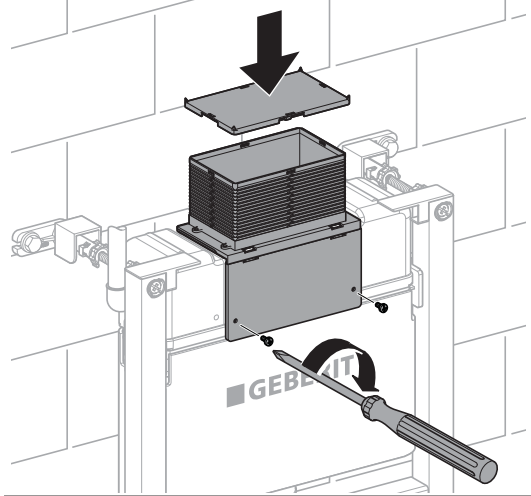






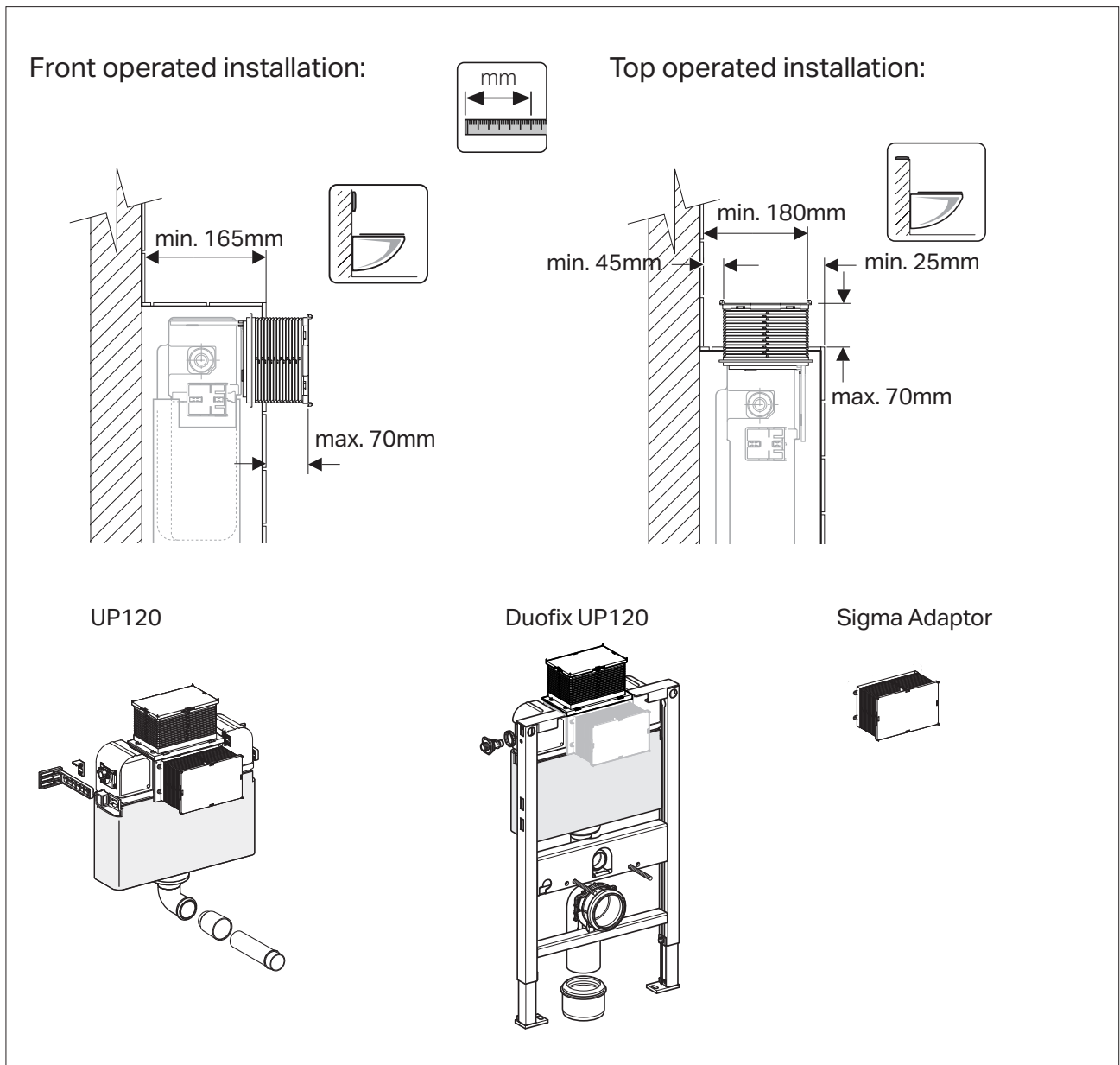


7



## Geberit Sigma adaptor

Specification with Duofix UP120 Art. No. 111.26x.00.1 and UP120 Art. No. 110.20x.00.1



Please note: Cistern/Duofix must be installed in accordance to the drawing included in this document! Sigma50, Sigma20, Sigma01 and Bolero push-access plates only!

Description	Art. No.
UP120 concealed cistern top/front operated, 6/3L	110.206.00.1
UP120 concealed cistern top/front operated, 4.5/3L	110.208.00.1
Duofix UP120 installation system top/front operated 6/3L	111.262.00.1
Duofix UP120 installation system top/front operated 4.5/3L	111.263.00.1
Sigma adaptor, for UP120 cisterns	225.008.00.1

Note: Technical details and layouts are schematic only; all details for construction by others; dimensions and technical information can change without further notice. This publication Sigma Adaptor GEAUspec0004.03/12 supersedes all previous publications.

Geberit Pty Ltd.  
Unit 8a, 6-8 Byfield Street  
AU-2113 North Ryde

T: +61 2 9889 7866  
T: +61 2 9889 7855  
→ [www.geberit.com.au](http://www.geberit.com.au)