

MARQUIS Chifley

Chifley 1 600mm centre basin

Top Thickness
Caesarstone: 20mm
Dekton: 12mm
Symphony: 20mm

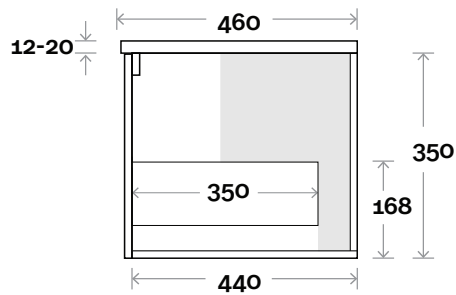
Note:

• Waste centre: 300mm std

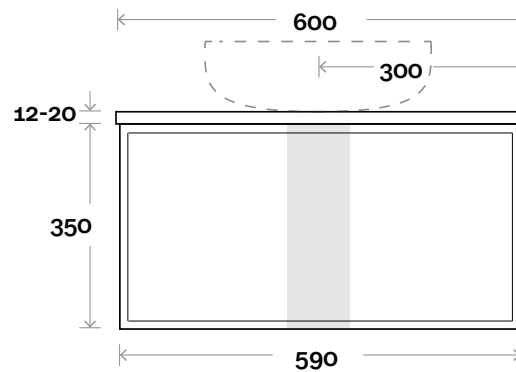


Plumbing allowance

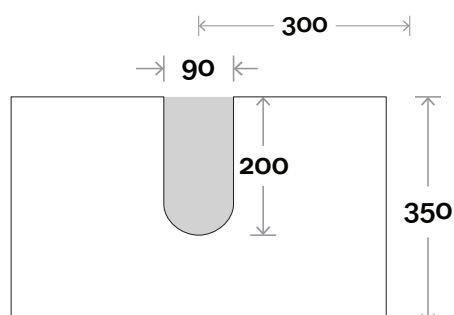
Profile



Configuration



Top Drawer Box



MARQUIS Chifley

Cove 2 750mm centre basin

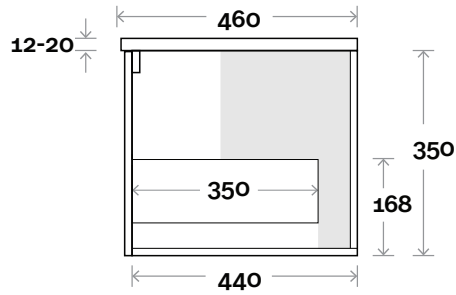
Top Thickness
Caesarstone: 20mm
Dekton: 12mm
Symphony: 20mm

Note:
• Waste centre: 375mm std

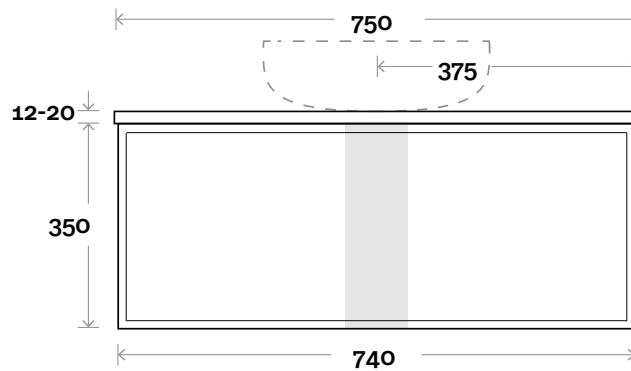


Plumbing allowance

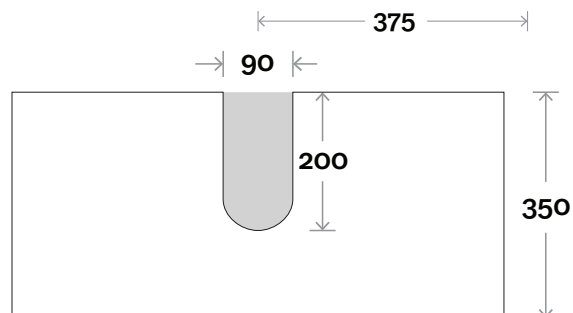
Profile



Configuration



Top Drawer Box



MARQUIS Chifley

Cove 3 900mm centre basin

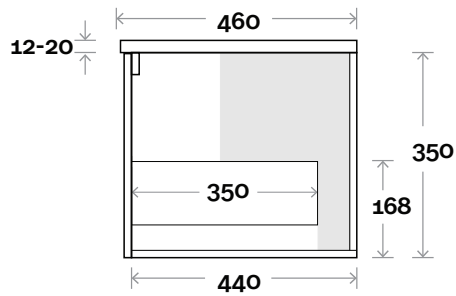
Top Thickness
Caesarstone: 20mm
Dekton: 12mm
Symphony: 20mm

Note:
• Waste centre: 450mm std

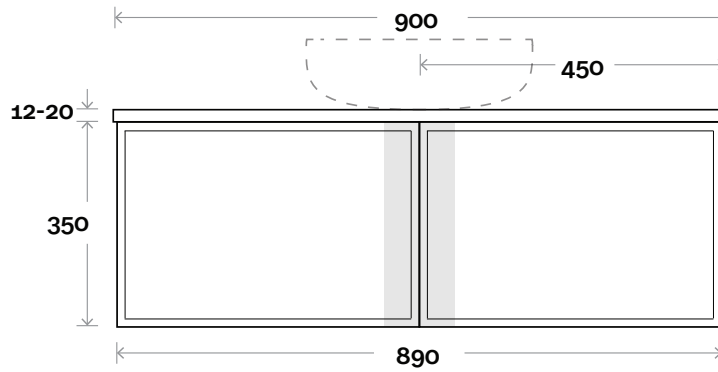


Plumbing allowance

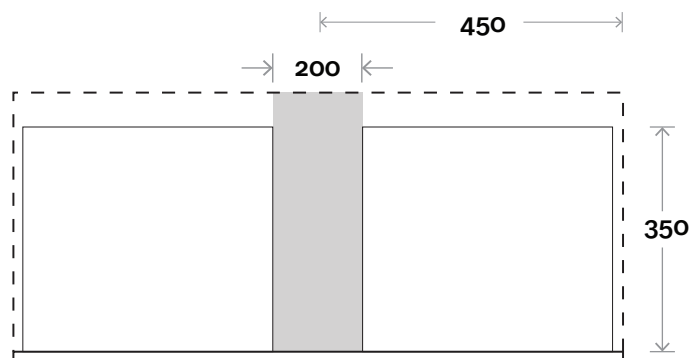
Profile



Configuration



Plumbing Allowance



MARQUIS Chifley

Cove 4 900mm off centre basin

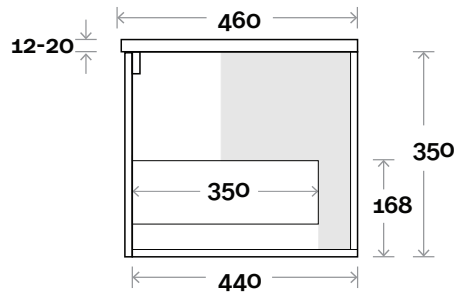
Top Thickness
Caesarstone: 20mm
Dekton: 12mm
Symphony: 20mm

Note:
• Waste centre: 300mm std
• Left or Right hand Basin

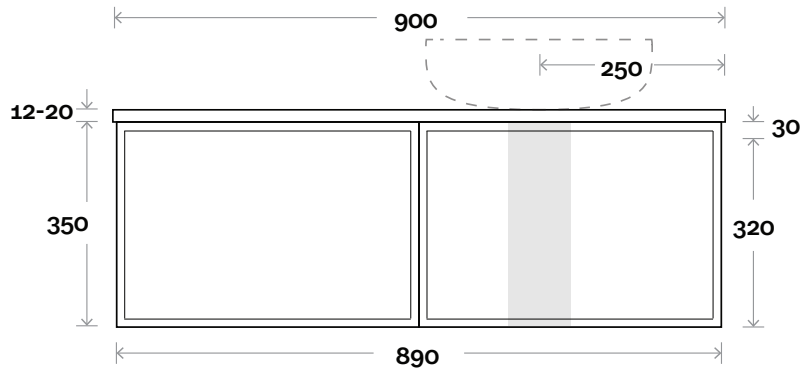


Plumbing allowance

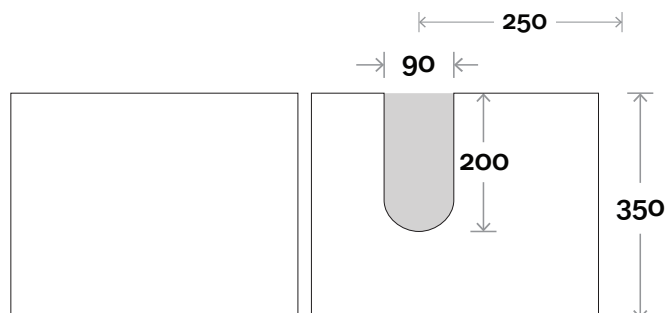
Profile



Configuration



Top Drawer Box



MARQUIS Chifley

Cove 5 1200mm centre basin

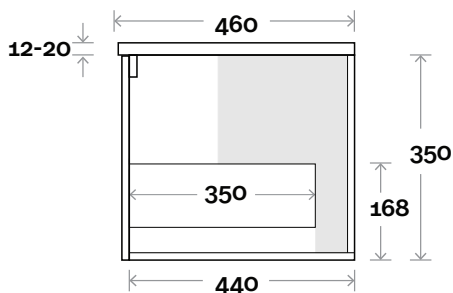
Top Thickness
Caesarstone: 20mm
Dekton: 12mm
Symphony: 20mm

Note:
• Waste centre: 600mm std

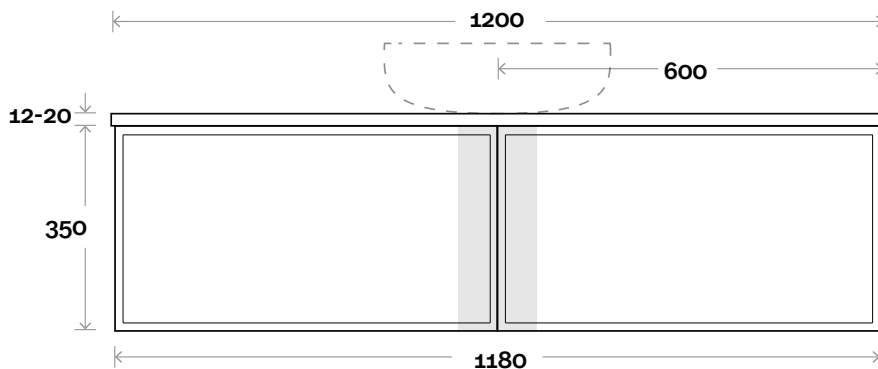


Plumbing allowance

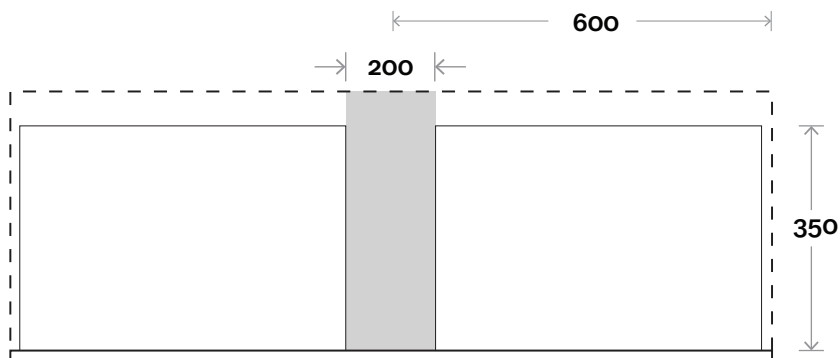
Profile



Configuration



Plumbing Allowance



MARQUIS Chifley

Cove 6 1200mm off centre basin

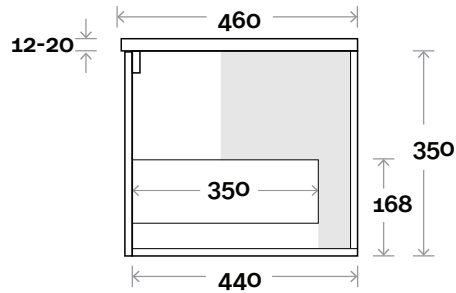
Top Thickness
Caesarstone: 20mm
Dekton: 12mm
Symphony: 20mm

Note:
• Waste centre: 300mm std
• Left or Right hand Basin

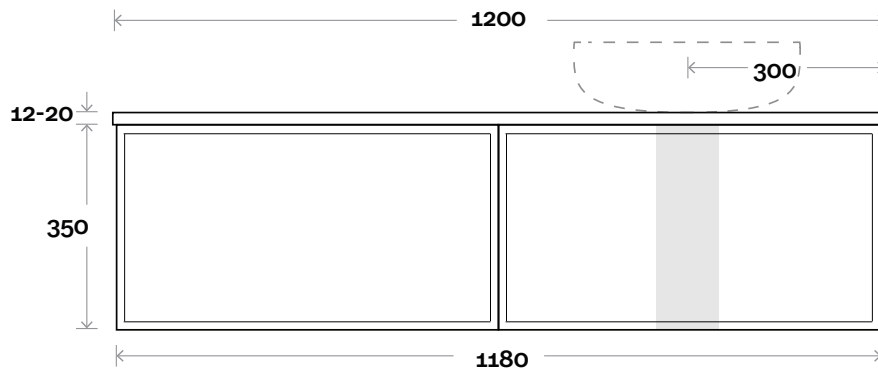


Plumbing allowance

Profile



Configuration



Top Drawer Box



MARQUIS Chifley

Cove 7 1200mm double basin

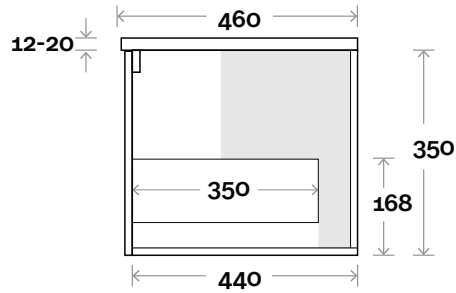
Top Thickness
Caesarstone: 20mm
Dekton: 12mm
Symphony: 20mm

Note:
• Waste centre: 300mm std

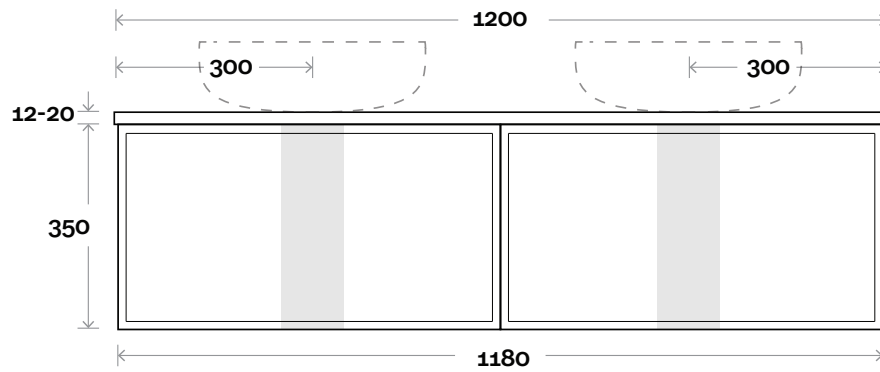


Plumbing allowance

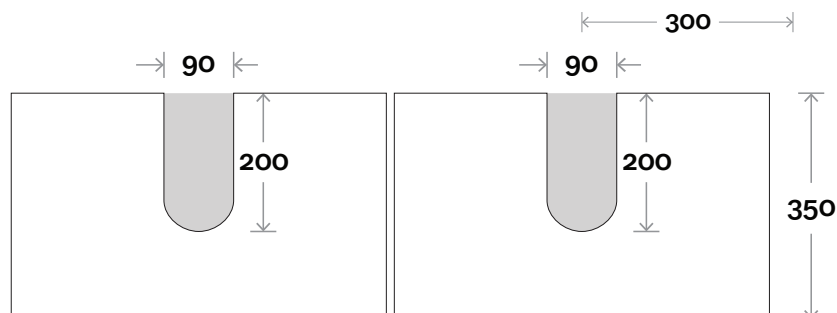
Profile



Configuration



Top Drawer Box



MARQUIS Chifley

Cove 8 1500mm centre basin

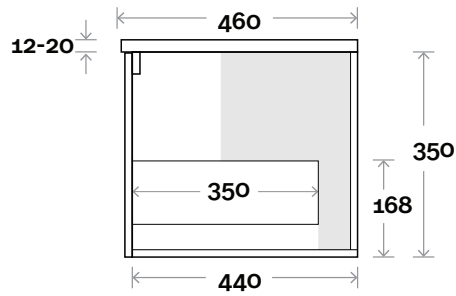
Top Thickness
Caesarstone: 20mm
Dekton: 12mm
Symphony: 20mm

Note:
• Waste centre: 750mm std

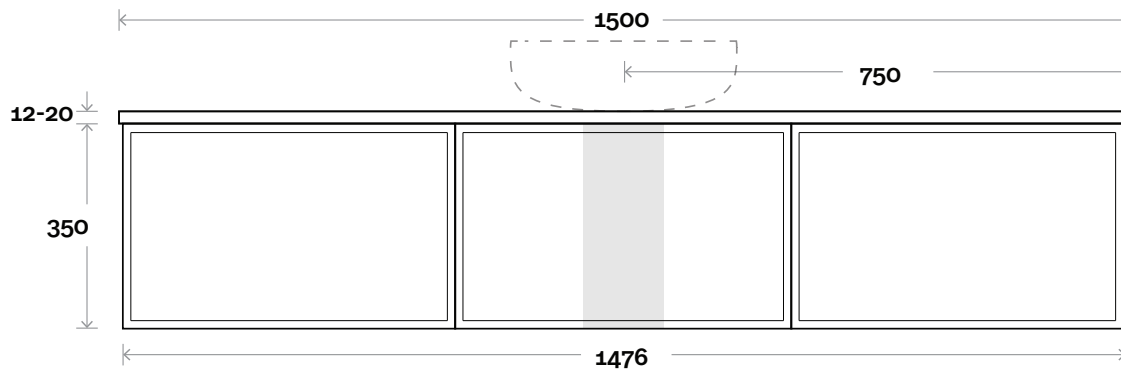


Plumbing allowance

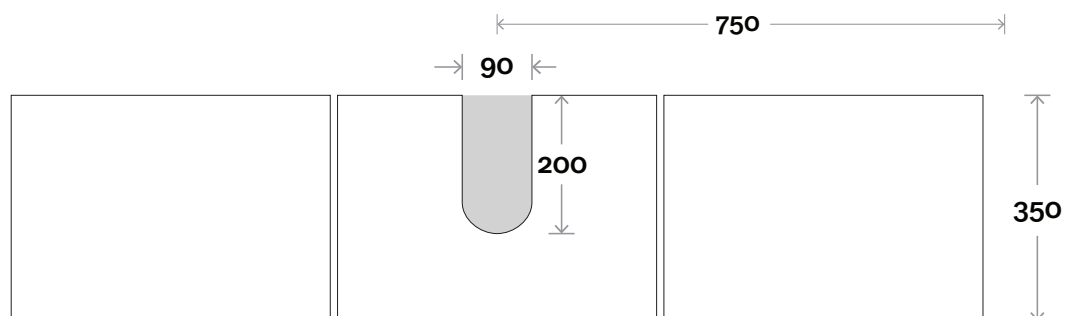
Profile



Configuration



Top Drawer Box



MARQUIS Chifley

Cove 9 1500mm off centre basin

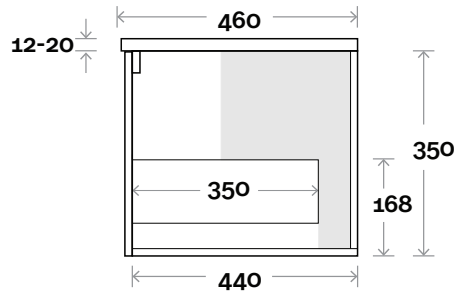
Top Thickness
Caesarstone: 20mm
Dekton: 12mm
Symphony: 20mm

Note:
• Waste centre: 375mm std
• Left or Right hand Basin

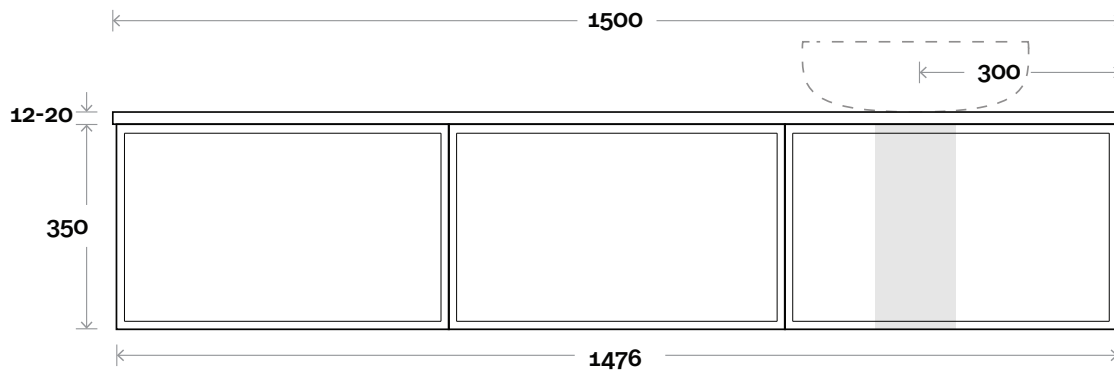


Plumbing allowance

Profile



Configuration



Top Drawer Box



MARQUIS Chifley

Cove 10 1500mm double basin

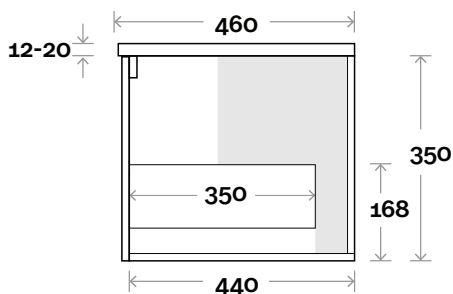
Top Thickness
Caesarstone: 20mm
Dekton: 12mm
Symphony: 20mm

Note:
• Waste centre: 375mm std

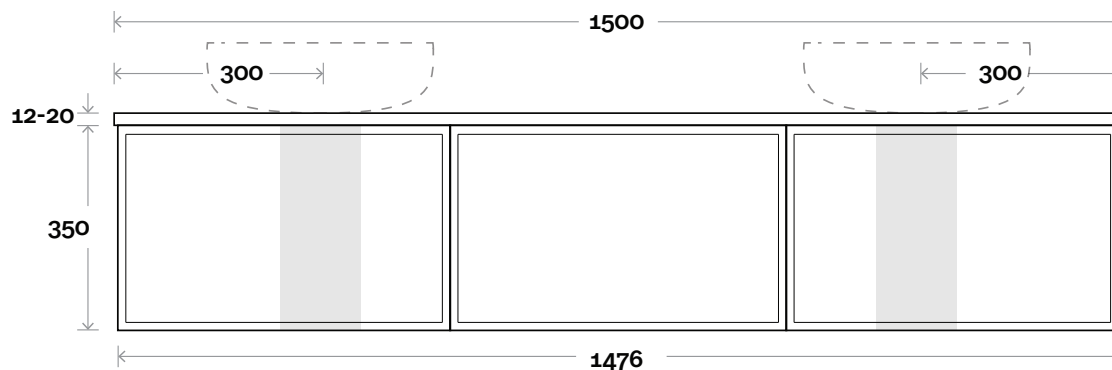


Plumbing allowance

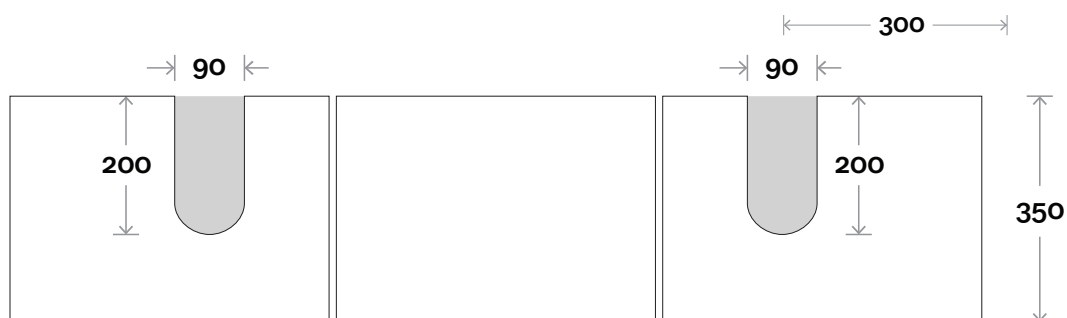
Profile



Configuration



Top Drawer Box



MARQUIS Chifley

Cove 11 1800mm centre basin

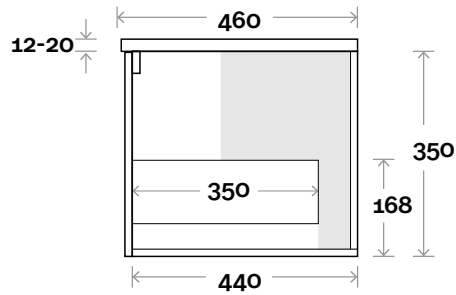
Top Thickness
Caesarstone: 20mm
Dekton: 12mm
Symphony: 20mm

Note:
• Waste centre: 900mm std

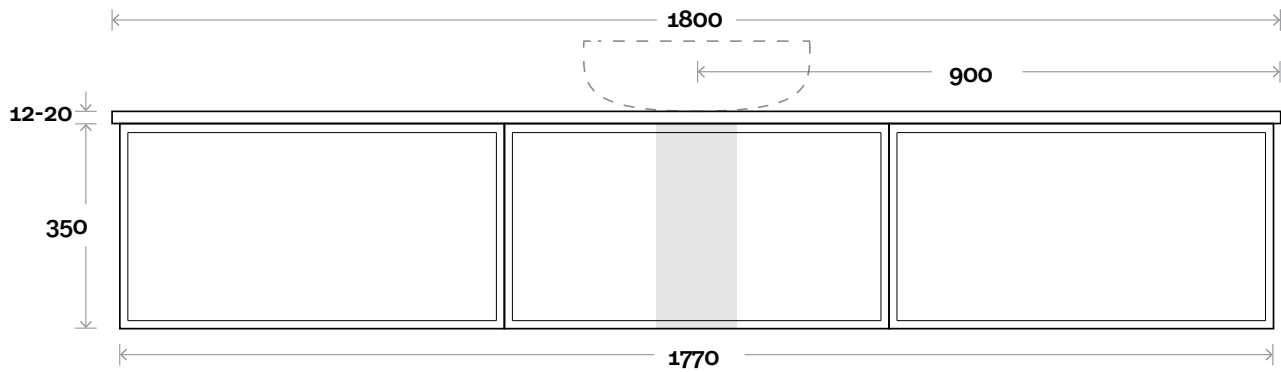


Plumbing allowance

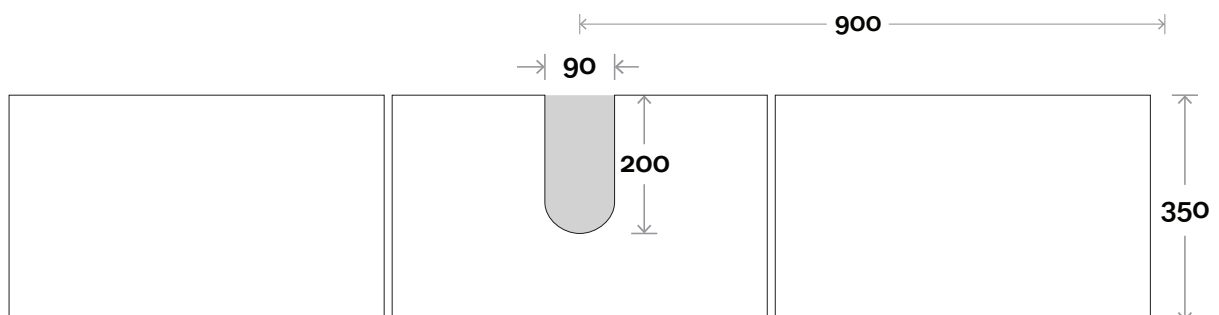
Profile



Configuration



Top Drawer Box



MARQUIS Chifley

Top Thickness
Caesarstone: 20mm
Dekton: 12mm
Symphony: 20mm

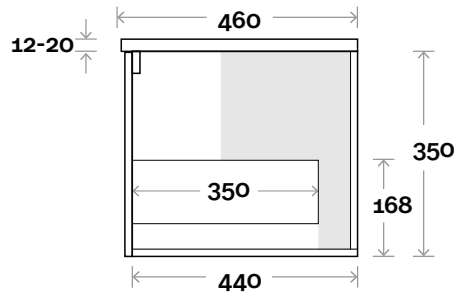
Note:
• Waste centre: 450mm std
• Left or Right hand Basin

Cove 12 1800mm off centre basin

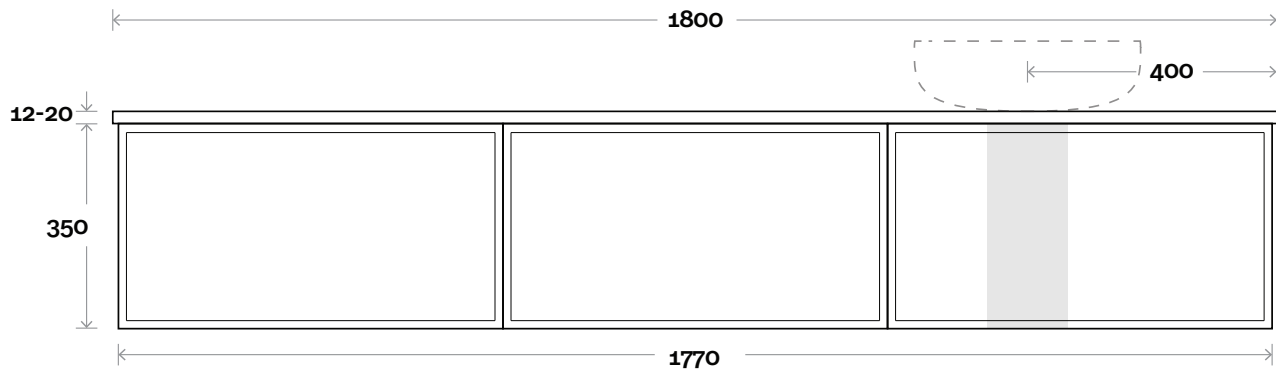


Plumbing allowance

Profile



Configuration



Top Drawer Box



MARQUIS Chifley

Cove 13 1800mm double basin

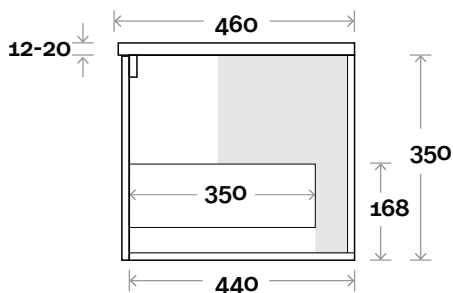
Top Thickness
Caesarstone: 20mm
Dekton: 12mm
Symphony: 20mm

Note:
• Waste centre: 450mm std

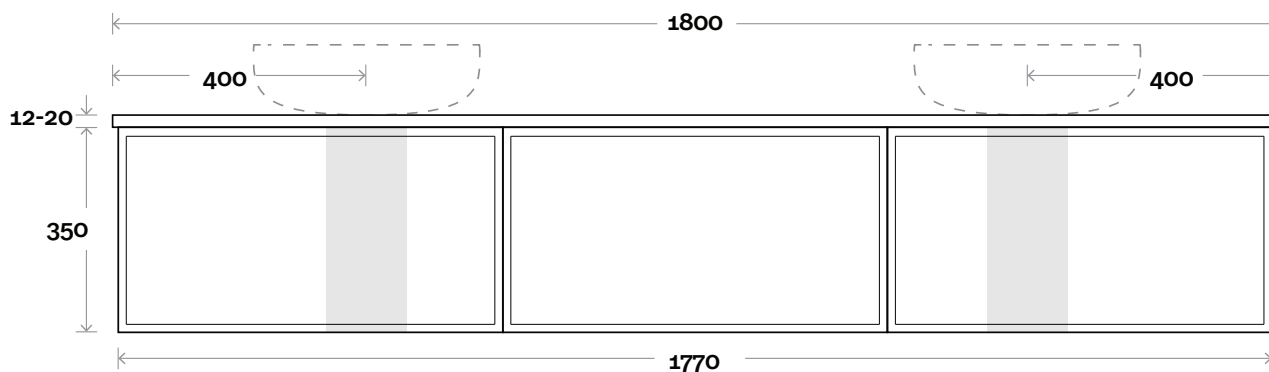


Plumbing allowance

Profile



Configuration



Top Drawer Box

