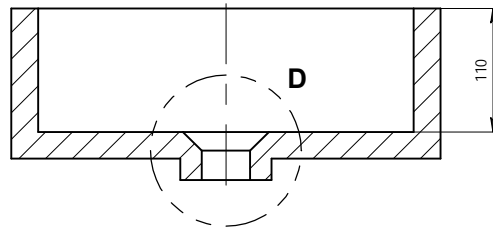
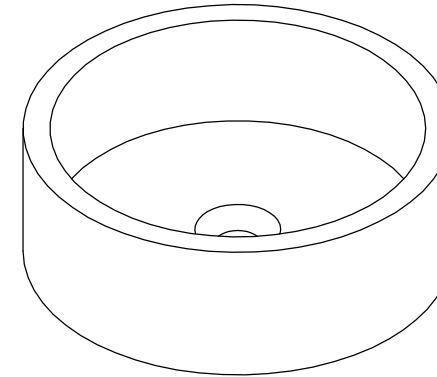
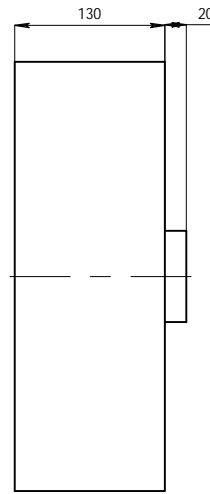
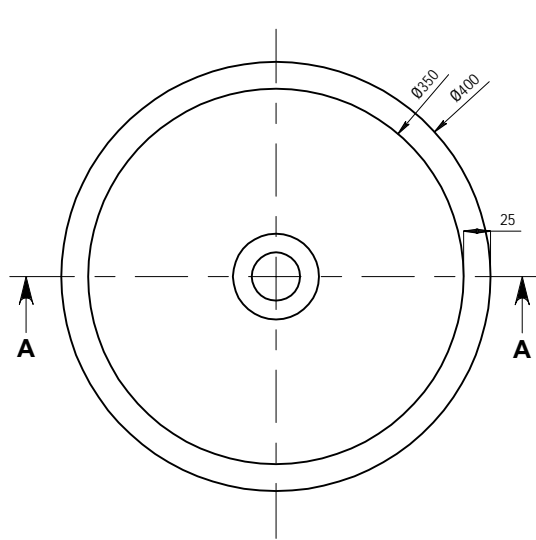
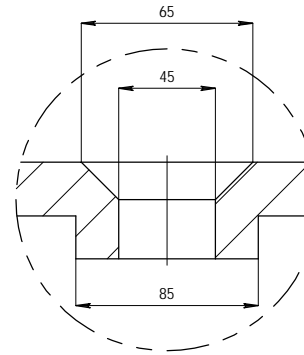


DRAFT COPY

DO NOT SCALE. IF IN DOUBT ASK!



SECTION A-A




DETAIL D
SCALE 1:2

COLOUR
QTY
APPROVED BY:
NAME & SIGNATURE
DATE APPROVED:

NOTES

1. ALL INTERNAL CORNERS TO BE R5 UNLESS OTHERWISE STATED.
2. BASINS IN AUSTRALIA COME WITH GLOSS FINISH ONLY ON SPECIAL ORDER - 8 WEEKS DELAY (SURCHARGE APPLIES). ALL BASINS DO NOT COME WITH A WASTE FITTING.

COPYRIGHT © APPLIES DUPPLICATION OF THIS DRAWING OR ANY SPECIFIC DESIGN FEATURES IS NOT PERMITTED WITHOUT WRITTEN AUTHORITY. "COMMERCIAL CONFIDENTIALITY" IS ASSUMED AND REQUIRED.

UNLESS OTHERWISE STATED ALL DIMENSIONS IN MILLIMETERS	MATERIAL:	KASKADE STONE	DRAWING NUMBER	Metz-BRA7	SCALE 1:1	A4	
	FINISH:	REFER TO ORDER			SHEET 1 OF 1	REV. 1	
DRAWING LEGEND	N.W	8.5 kg	Product Size	400x400x150	 KASKADE STONE www.kaskadebaths.de		
	G.W	11 kg	Package size	450x450x240			
LINEAR / ANGULAR TOLERANCES	DRAWN		DATE				
No Decimals	1 Decimal	2 Decimals	KASKADE	02/03/15			
±5			CHK'D	DATE			

REV	DESCRIPTION	DWG	DATE	CHK'D	DATE
1	RELEASE DATE.	KASKADE	02/03/15		