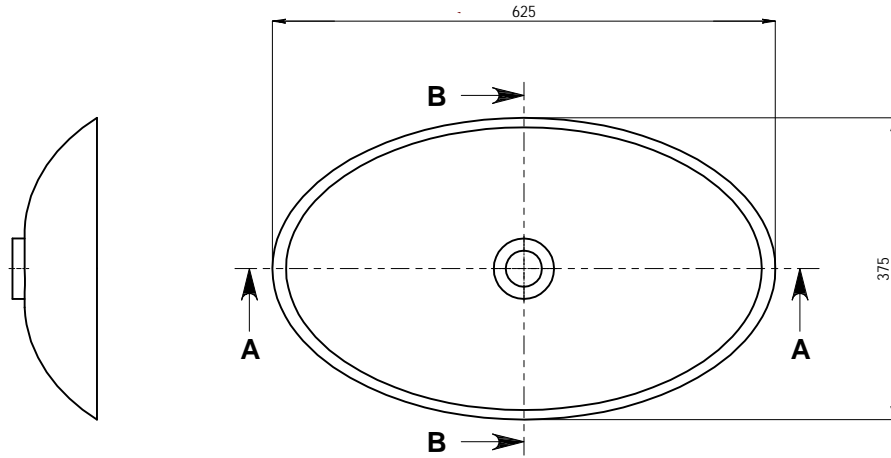
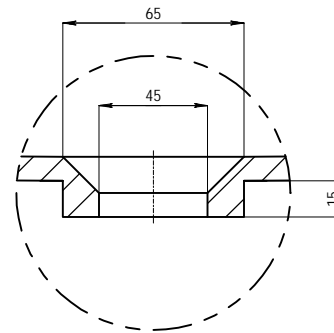


DRAFT COPY

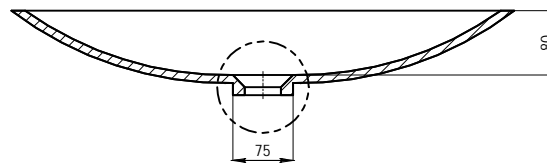
DO NOT SCALE. IF IN DOUBT ASK!



SECTION B-B



DETAIL D
SCALE 1:3



SECTION A-A

| |
|------------------|
| COLOUR |
| |
| QTY |
| |
| APPROVED BY: |
| |
| NAME & SIGNATURE |
| DATE APPROVED: |
| |

NOTES

1. ALL INTERNAL CORNERS TO BE R5 UNLESS OTHERWISE STATED.
2. BASINS IN AUSTRALIA COME WITH GLOSS FINISH ONLY ON SPECIAL ORDER - 8 WEEKS DELAY (SURCHARGE APPLIES). ALL BASINS DO NOT COME WITH A WASTE FITTING.

COPYRIGHT © APPLIES DUPLICATION OF THIS DRAWING OR ANY SPECIFIC DESIGN FEATURES IS NOT PERMITTED WITHOUT WRITTEN AUTHORITY. "COMMERCIAL CONFIDENTIALITY" IS ASSUMED AND REQUIRED.

| | | | | | | | | | | | | | | |
|--|---|----------------|----------------|--------------|---------|----------|----|--|--|-------|------|-----|--|--|
| UNLESS OTHERWISE STATED ALL DIMENSIONS IN MILLIMETERS | MATERIAL: | KASKADE STONE | DRAWING NUMBER | SCALE 1:1 | A4 | | | | | | | | | |
| | FINISH: | REFER TO ORDER | Ina-BRA1 | SHEET 1 OF 1 | REV. 1 | | | | | | | | | |
| DRAWING LEGEND | N.W | 6 kg | Product Size | 625X375X100 | | | | | | | | | | |
| | G.W | 9.5 kg | Package size | 660x420x200 | | | | | | | | | | |
| | LINEAR / ANGULAR TOLERANCES | DRAWN | | DATE | | | | | | | | | | |
| | <table border="1"> <tr> <td>No Decimals</td> <td>1 Decimal</td> <td>2 Decimals</td> <td>KASKADE</td> <td>02/03/15</td> </tr> <tr> <td>±5</td> <td></td> <td></td> <td>CHK'D</td> <td>DATE</td> </tr> </table> | No Decimals | 1 Decimal | 2 Decimals | KASKADE | 02/03/15 | ±5 | | | CHK'D | DATE | ±3° | | |
| No Decimals | 1 Decimal | 2 Decimals | KASKADE | 02/03/15 | | | | | | | | | | |
| ±5 | | | CHK'D | DATE | | | | | | | | | | |

| REV | DESCRIPTION | DWG | DATE | CHK'D | DATE |
|-----|---------------|---------|----------|-------|------|
| 1 | RELEASE DATE. | KASKADE | 02/03/15 | | |