

MARQUIS

Arco

Arco 1 600mm centre basin

Top Thickness

Caesarstone: 20mm

Dekton: 12mm

Symphony: 20mm

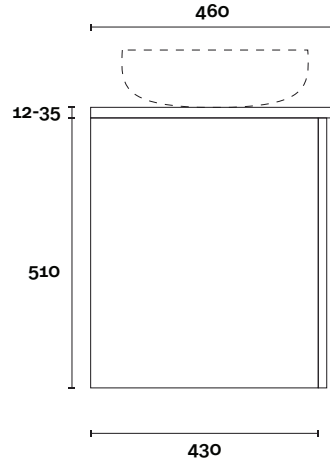
Timber: 30-35mm
(Above counter only)

Note:

- Stone & Timber waste centre: 300mm std (may vary depending on basin)

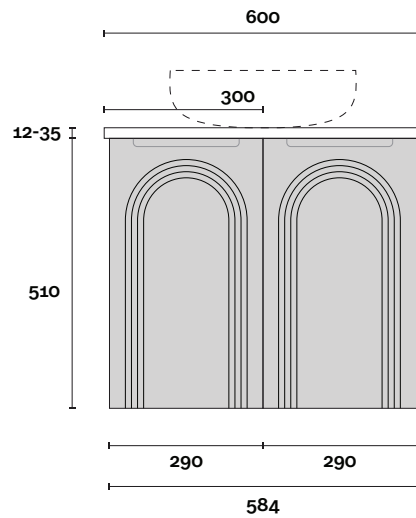
 Plumbing allowance

PROFILE

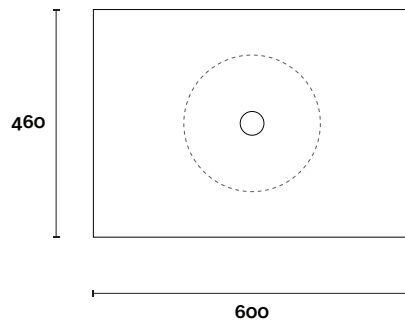


CONFIGURATION

Wallmount



PLAN



MARQUIS

Arco

Arco 2 750mm centre basin

Top Thickness

Caesarstone: 20mm

Dekton: 12mm

Symphony: 20mm

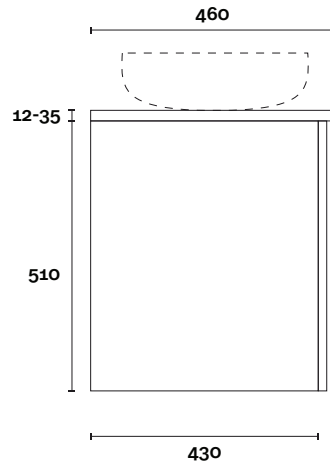
Timber: 30-35mm
(Above counter only)

Note:

• Stone & Timber waste centre:
375mm std (may vary depending on basin)

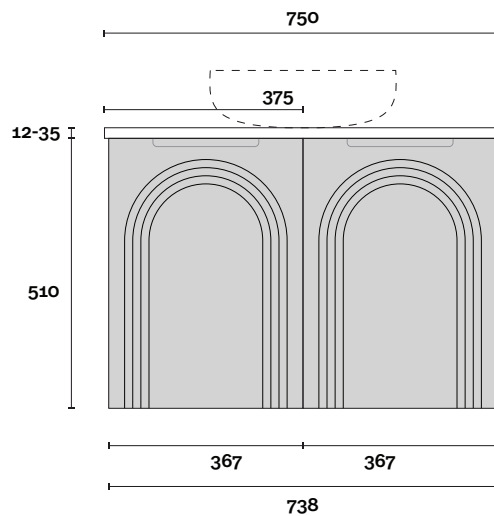
 Plumbing allowance

PROFILE

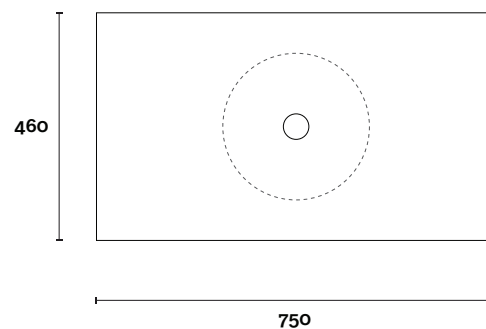


CONFIGURATION

Wallmount



PLAN



MARQUIS

Arco

Arco 3 900mm centre basin

Top Thickness

Caesarstone: 20mm

Dekton: 12mm

Symphony: 20mm

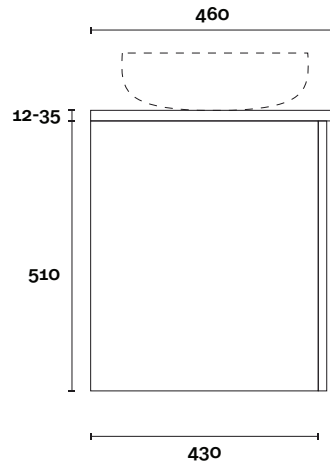
Timber: 30-35mm
(Above counter only)

Note:

- Stone & Timber waste centre: 450mm std (may vary depending on basin)

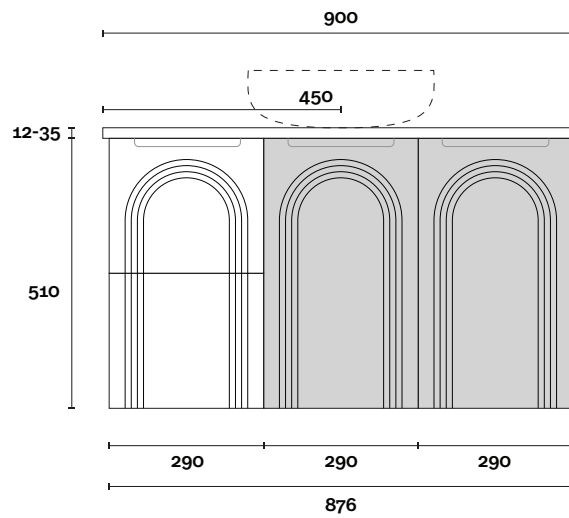
 Plumbing allowance

PROFILE

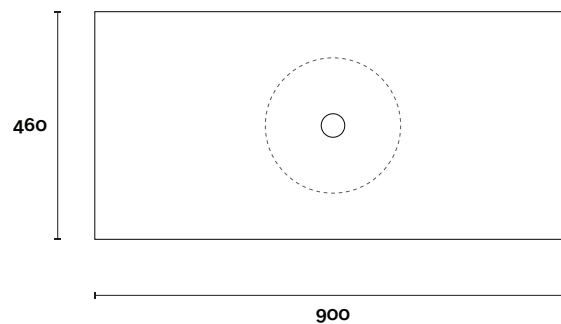


CONFIGURATION

Wallmount



PLAN



MARQUIS

Arco

Arco 4 900mm off centre basin

Top Thickness

Caesarstone: 20mm

Dekton: 12mm

Symphony: 20mm

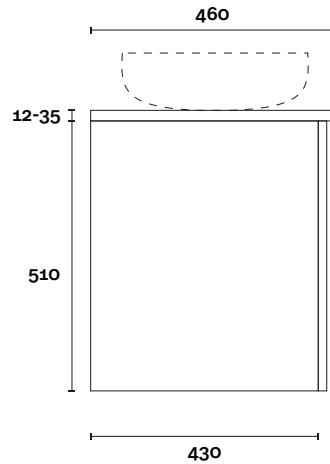
Timber: 30-35mm
(Above counter only)

Note:

- Stone & Timber waste centre: 300mm std (may vary depending on basin)
- Available with left or right hand basin

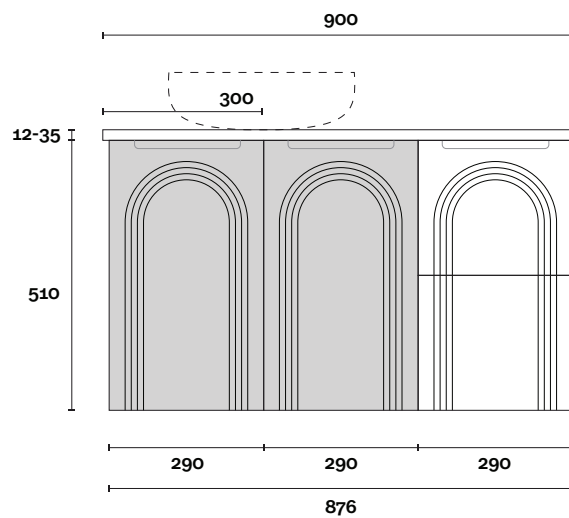
 Plumbing allowance

PROFILE

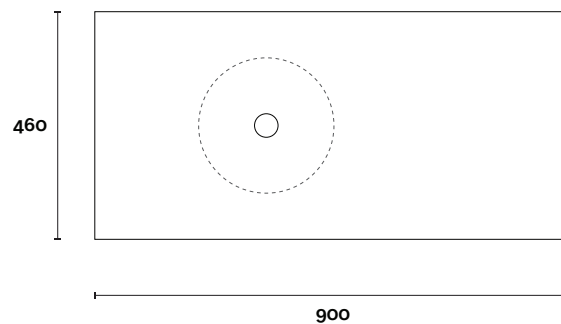


CONFIGURATION

Wallmount



PLAN



MARQUIS

Arco

Arco 5 1200mm centre basin

Top Thickness

Caesarstone: 20mm

Dekton: 12mm

Symphony: 20mm

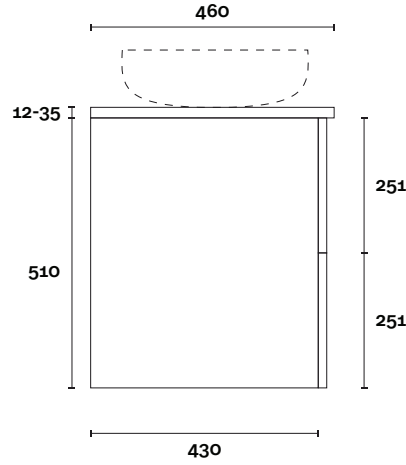
Timber: 30-35mm
(Above counter only)

Note:

- Stone & Timber waste centre: 600mm std (may vary depending on basin)

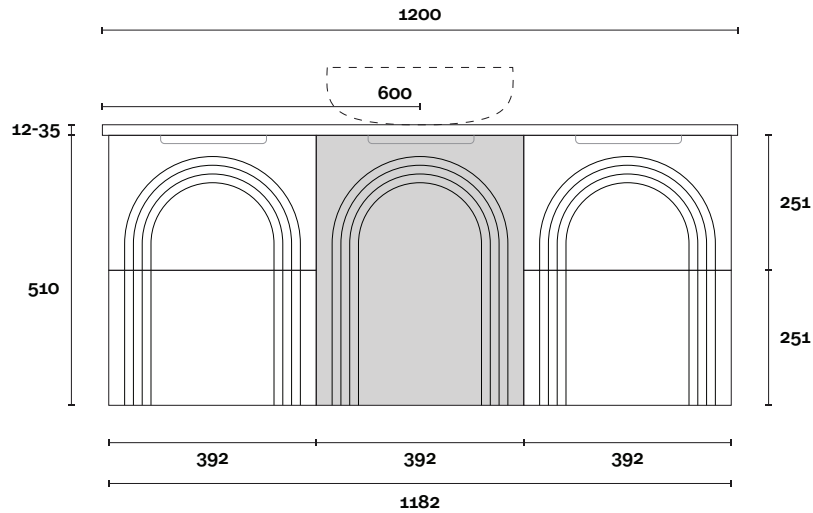
 Plumbing allowance

PROFILE

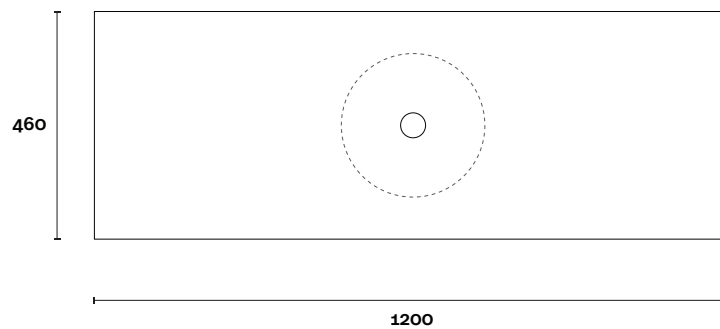


CONFIGURATION

Wallmount



PLAN



MARQUIS

Arco

Arco 6 1200mm off centre basin

Top Thickness

Caesarstone: 20mm

Dekton: 12mm

Symphony: 20mm

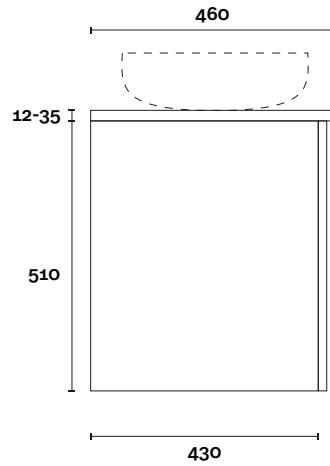
Timber: 30-35mm
(Above counter only)

Note:

- Stone & Timber waste centre: 300mm std (may vary depending on basin)
- Available with left or right hand basin

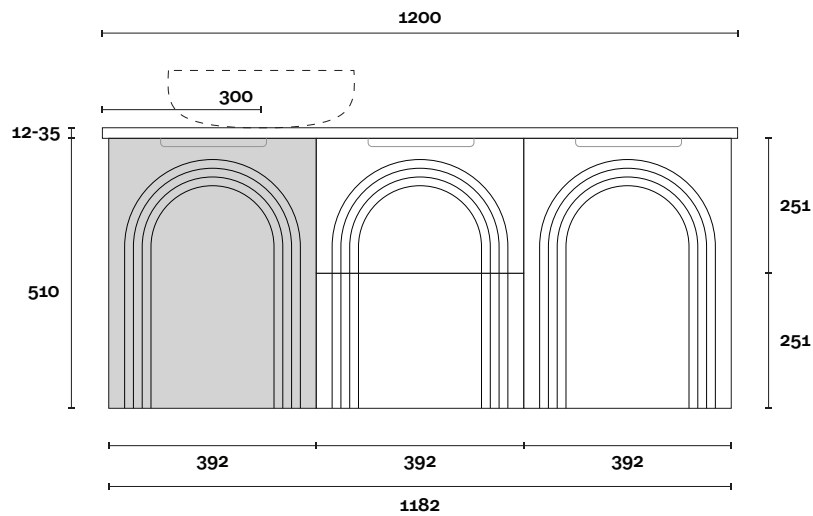
 Plumbing allowance

PROFILE

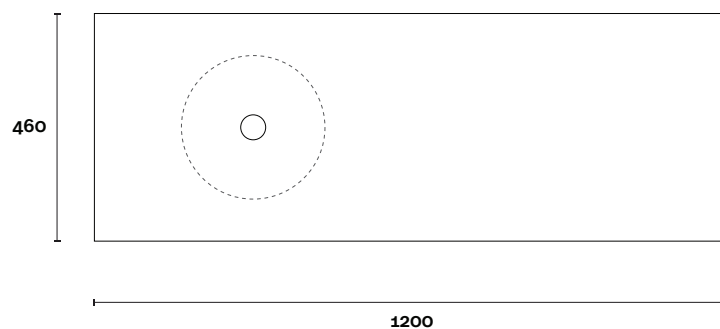


CONFIGURATION

Wallmount



PLAN



MARQUIS

Arco

Arco 7 1200mm double basin

Top Thickness

Caesarstone: 20mm

Dekton: 12mm

Symphony: 20mm

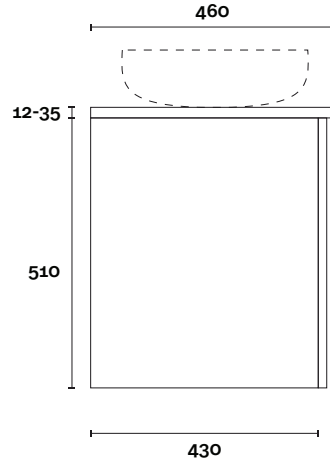
Timber: 30-35mm
(Above counter only)

Note:

- Stone & Timber waste centre: 300mm std (may vary depending on basin)

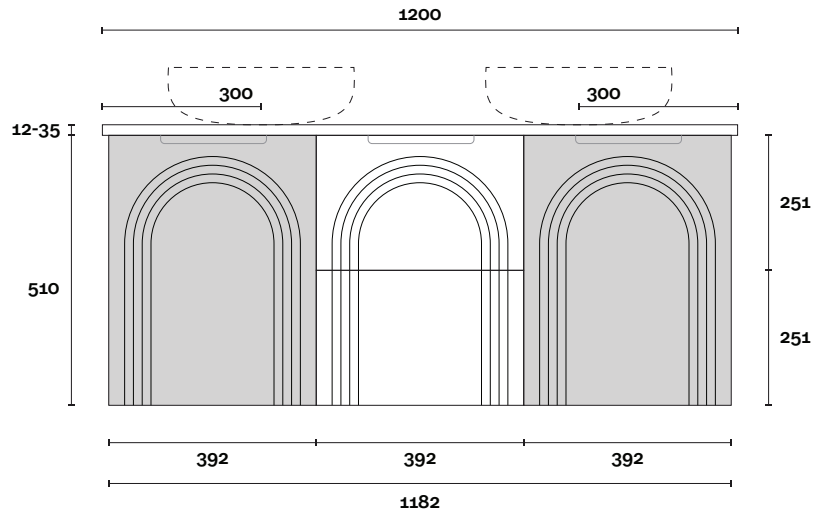
 Plumbing allowance

PROFILE

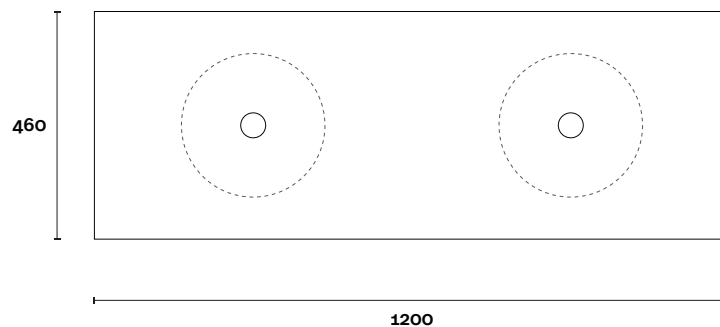


CONFIGURATION

Wallmount



PLAN



MARQUIS

Arco

Arco 8 1500mm centre basin

Top Thickness

Caesarstone: 20mm

Dekton: 12mm

Symphony: 20mm

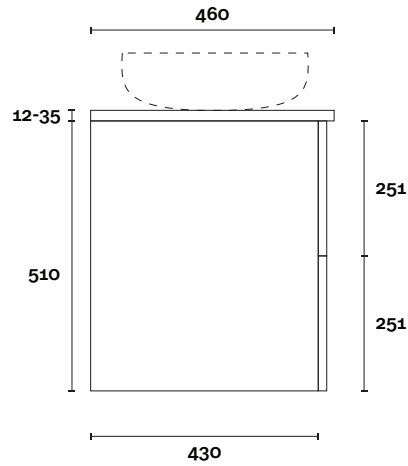
Timber: 30-35mm
(Above counter only)

Note:

- Stone & Timber waste centre:
750mm std (may vary depending on basin)

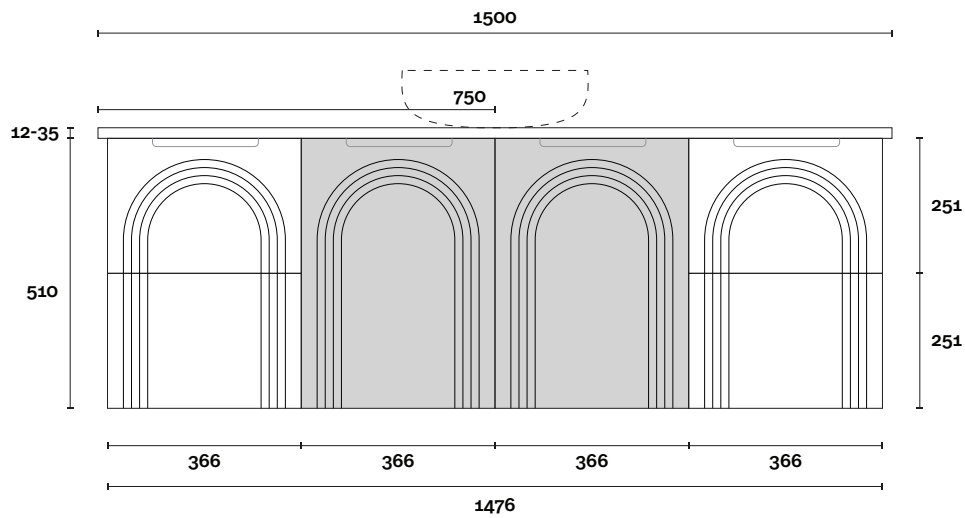
 Plumbing allowance

PROFILE

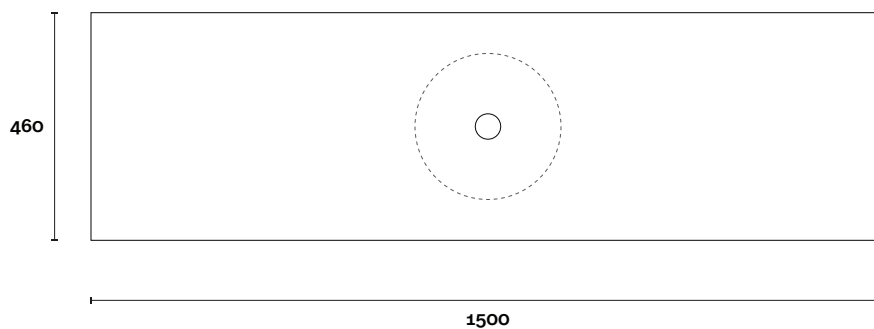


CONFIGURATION

Wallmount



PLAN



MARQUIS

Arco

Arco 9 1500mm off centre basin

Top Thickness

Caesarstone: 20mm

Dekton: 12mm

Symphony: 20mm

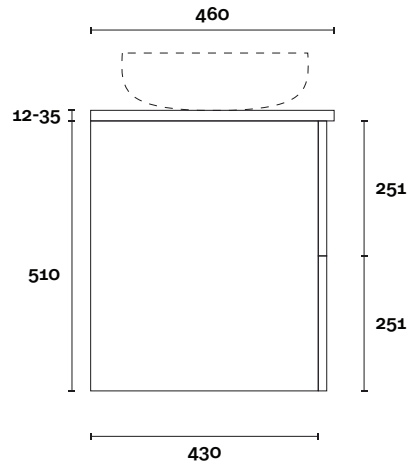
Timber: 30-35mm
(Above counter only)

Note:

- Stone & Timber waste centre: 420mm std (may vary depending on basin)
- Available with left or right hand basin

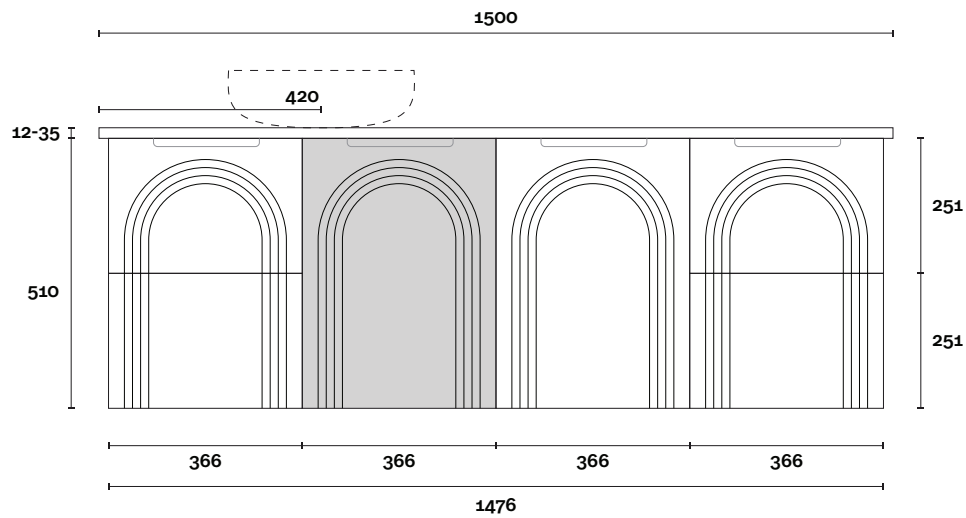
 Plumbing allowance

PROFILE

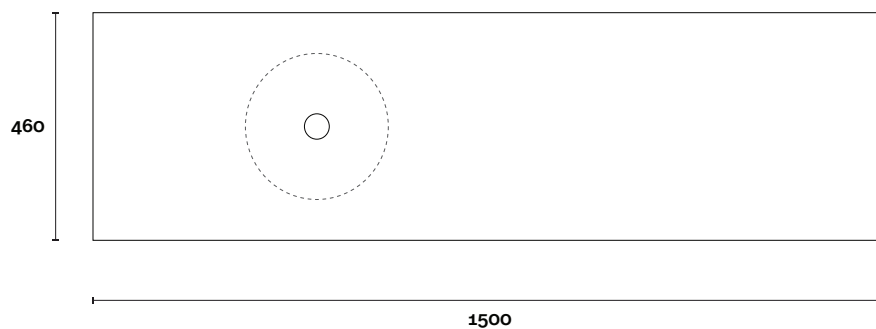


CONFIGURATION

Wallmount



PLAN



MARQUIS

Arco

Arco 10 1500mm double basin

Top Thickness

Caesarstone: 20mm

Dekton: 12mm

Symphony: 20mm

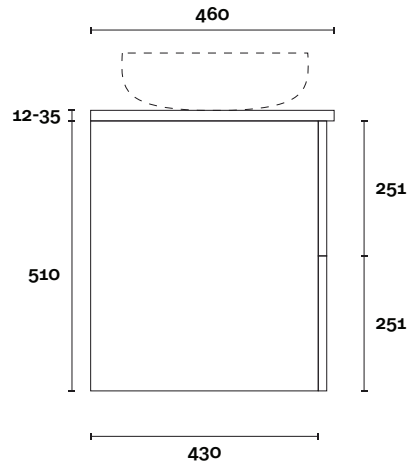
Timber: 30-35mm
(Above counter only)

Note:

- Stone & Timber waste centre: 420mm std (may vary depending on basin)

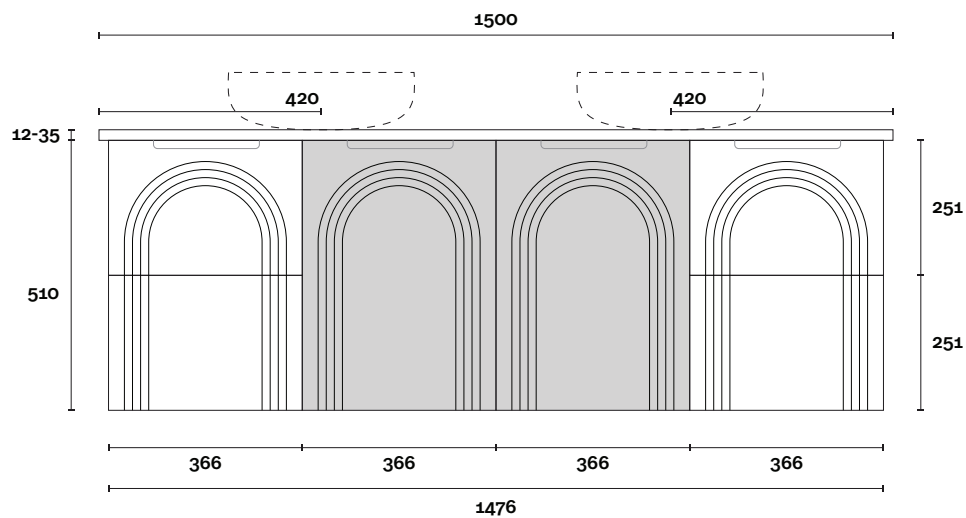
 Plumbing allowance

PROFILE



CONFIGURATION

Wallmount



PLAN

