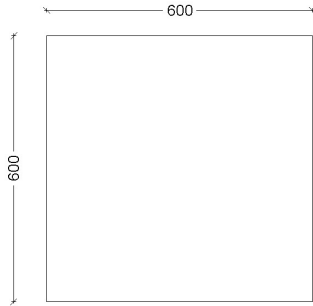


TRIANGOLO

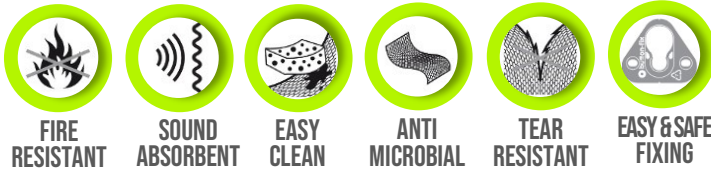
ACOUSTIC FABRIC PANEL DESIGN 2021



NOISEMONSTER™ Brand is Trade Marked & Copy Right protected for NVP Company Ltd. / London / United Kingdom / 2021



PRODUCT DESCRIPTION



PRODUCT DIMENSIONS

(Length)600mm x (Width)600mm
(Thickness)30mm

PRODUCT PACKING

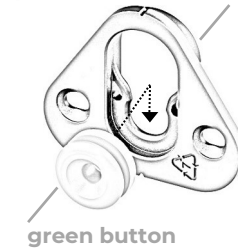
One (1) box contains four (4) panels.

PRODUCT APPLICATION & INSTALLATION

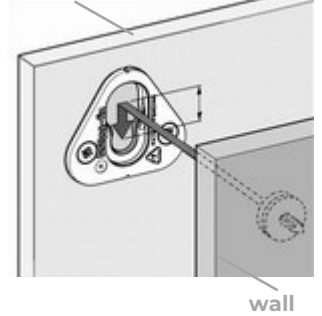
Panels are for wall applications only.

Accurate & secure method to fix panels to the wall.
Patented hidden installation system included in each box.
Easy to follow mounting instructions.
Black fixes are pre-installed on each panel.
Brand name tools to install the panel to the wall are also included.

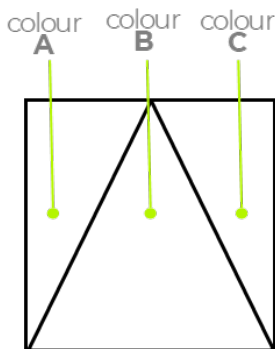
pre-installed black fix



NoiseMonster panel



FABRICS & COLOURS



Unicolour Wool

| | | | | | | | | | | | |
|----|----|----|----|----|----|----|----|----|----|----|----|
| 01 | 02 | 03 | 04 | 05 | 06 | 07 | 08 | 09 | 10 | 11 | 12 |
| 13 | 14 | 15 | 16 | 17 | 18 | 19 | 20 | 21 | 22 | 23 | 24 |
| 25 | 26 | 27 | 28 | 29 | 30 | 31 | 32 | 33 | 34 | | |

