



15301922
Edition 3
September 2011

Piggyback Assembly

2000 Series

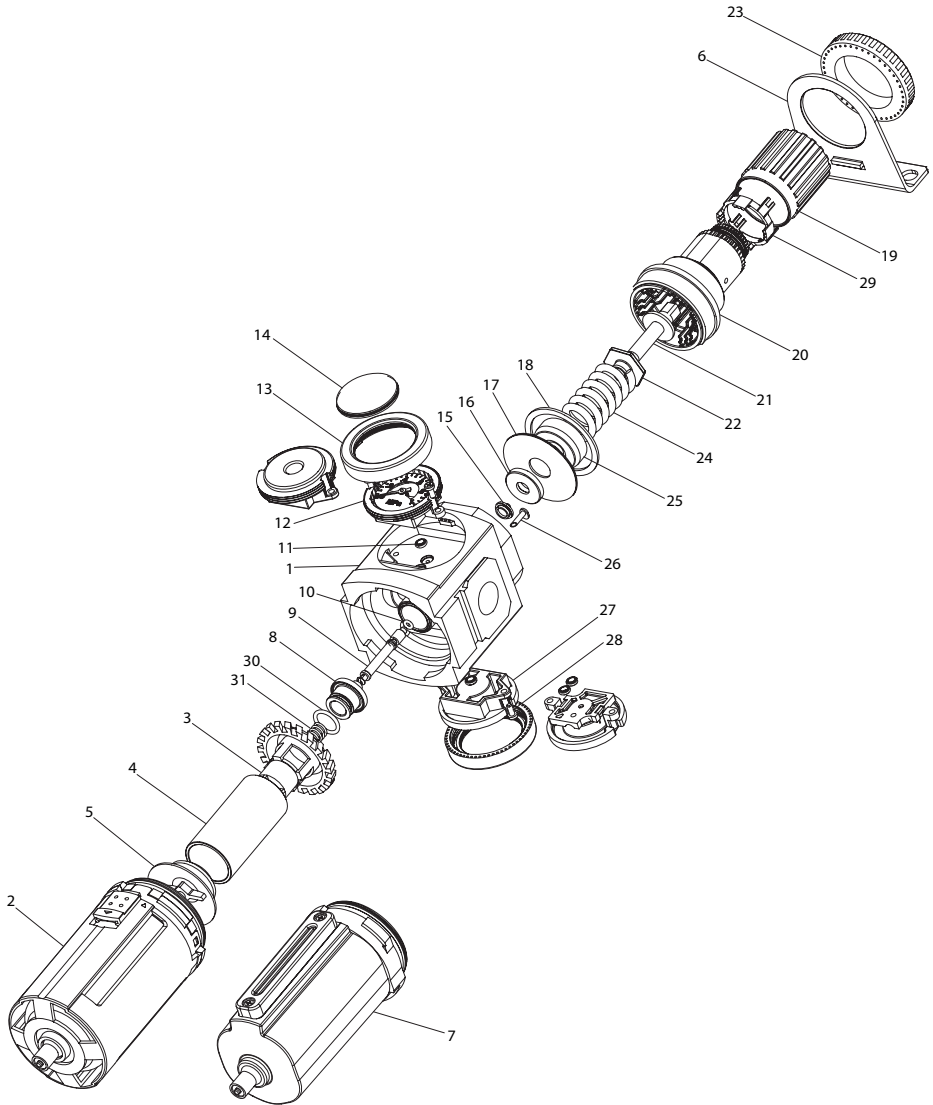
Parts Information



Save These Instructions

 **Ingersoll Rand**

Piggyback Assembly 2000 Series P393XX-XXX - Exploded View

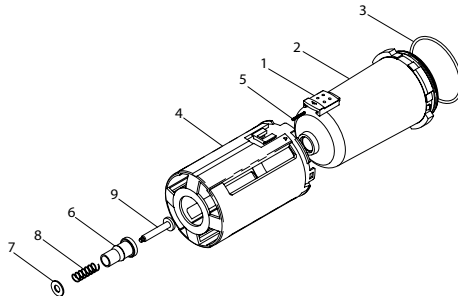


(Dwg. 15318686)

Piggyback Assembly 2000 Series P393XX-XXX - Parts List

Item	Part Description	Material	Part Number	Item	Part Description	Material	Part Number	
1	Piggyback Body	Aluminum	---	15	Relief Valve Sheet	Nitrile	---	
	3/8" BSP (P393CX-XXX)			16	Relief Valve	Nylon	---	
	1/2" BSP (P393DX-XXX)			17	Diaphragm	Nitrile	---	
	3/4" BSP (P393EX-XXX)			18	Diaphragm Ring	---	---	
	3/8" NPT (P3933X-XXX)			19	Handle	Acetal	---	
	1/2" NPT (P3934X-XXX)			20	Bonnet	Nylon	---	
2	3/4" NPT (P3935X-XXX)	---	---	21	Adjusting Bolt	---	---	
	Poly Bowl (See Poly bowl Section) (P393XX-X0X)	---	---	22	Adjusting Nut	Steel	---	
3	Deflector	Acetal	---	23	Panel Mount Nut	Acetal	---	
4	Filter Element	Polyethylene	---	24	Adjusting Spring	Steel	---	
	0.3 Micron (P393X3-XXX)			104319	0-30 psig (P393XX-4XX)			104533
	5 Micron (P393X4-XXX)			104317	0-50 psig (P393XX-2XX)			104330
	40 Micron (N/A)			104318	5-125 psig (P393XX-1XX, P393XX-6XX)			104331
5	Baffle	Acetal	---	10-200 psig (P393XX-3XX)	---	104332		
6	L-Bracket	Steel	104405	25	Diaphragm Shell	Nylon	---	
7	Metal Bowl (See Page 4) (P393XX-X1X, P393XX-X2X)	---	---	26	Pressure Static Tube	Acetal	---	
8	Valve	Nylon	---	27	Block Cover	Nylon	---	
9	Stem		---	---	Built In Check Valve	---	---	
10	Stem O-Ring	---	---	28	Bolt	Steel	---	
11	Gauge O-Ring	Nitrile	---	29	Tamper Kit	Nylon	104329	
12	Gauge	---	104334	30	Valve O-Ring	Nylon	---	
	0-140 psig (P393XX-6XX)			---	31	Valve Spring	Stainless Steel	---
	Gauge Plate			---	Service Kit (Includes Items 8, 15, 16, 17, 18, 25, 30, 31)			
13	Cover Ring	Nylon	---	---	Relieving (P393XX-XXX)	---	104544	
14	Gauge Cover	Polycarbonate	---	---	Non-Relieving (N/A)	---	104219	

Poly Bowl Assembly 2000 Series Exploded View

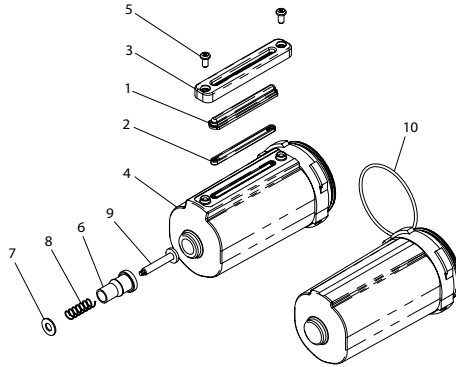


(Dwg. 15318702)

Poly Bowl Assembly 2000 Series Parts List

Item	Part Description	Material	Part Number	Item	Part Description	Material	Part Number
1	Lock Button	Nylon	---	5	Lock Button Spring	Stainless Steel	---
	(P393XX-X0X)				(P393XX-X0X)		
2	Poly Bowl (Includes Items 1, 3, 4 & 5 and Drain)	Polycarbonate	---	6, 7, 8, 9	Manual Drain	Stainless Steel	104316
	Manual Drain (P393XX-X00)			Nitrile			
	Auto Drain (P393XX-X04)			104320	104321		
3	Bowl O-Ring (P393XX-X0X)	Nitrile	---	Drain Spring (P393XX-X00)	Brass	---	---
	Drain Stem (P393XX-XX0)	---	---	Auto Drain (P393XX-X04)	---	---	104315
4	Bowl Guard	Nylon	---	---	---	---	---
	Normal (P393XX-X00)			---			
---	Longer (P393XX-X04)	---	---	---	---	---	---

Metal Bowl Assembly 2000 Series Exploded Diagram



(Dwg. 15318710)

Metal Bowl Assembly 2000 Series Parts List

Item	Part Description	Material	Part Number	Item	Part Description	Material	Part Number
1	Sight Plate	Nylon	---	5	Bolt	Steel	---
	Manual Drain (P393XX-X10)		---		(P393XX-X1X)		---
2	Sight Plate Gasket	Nitrile	---	6, 7	Manual Drain	Stainless Steel	104316
	Manual Drain (P393XX-X14)		---		Drain Housing (P393XX-XX0)		
3	Sight Cover	Aluminum	---	8, 9	Retainer (P393XX-XX0)	Stainless Steel	104316
	Manual Drain (P393XX-X10)		---		Drain Spring (P393XX-XX0)		
4	Metal Bowl (Includes Item 10 and Drain)	Aluminum	---	10	Bowl O-Ring	Nitrile	---
	(Sight Glass also Includes Items 1, 2, 3 & 5)		---		(P393XX-X1X, P393XX-X2X)		
4	Manual Drain with Sight (P393XX-X10)	Aluminum	104325	Auto Drain	(P393XX-XX4)	---	104315
	Manual Drain No Sight (P393XX-X20)		104322				
	Auto Drain with Sight (P393XX-X14)		104324				
	Auto Drain No Sight (P393XX-X24)		104323				

Parts and Maintenance

When the life of the tool has expired, it is recommended that the tool be disassembled, degreased and parts be separated by material so that they can be recycled.

Tool repair and maintenance should only be carried out by an authorized Service Center.

Refer all communications to the nearest **Ingersoll Rand** Office or Distributor.

Related Documentation

For additional information refer to:

Safety Information Manual 15301765.

Product Information Manual 15301773.

Maintenance Information Manual 15301781.

Manuals can be downloaded from www.ingersollrandproducts.com

Part No: 100400-69

www.ingersollrandproducts.com

© 2011 **Ingersoll-Rand** Company

