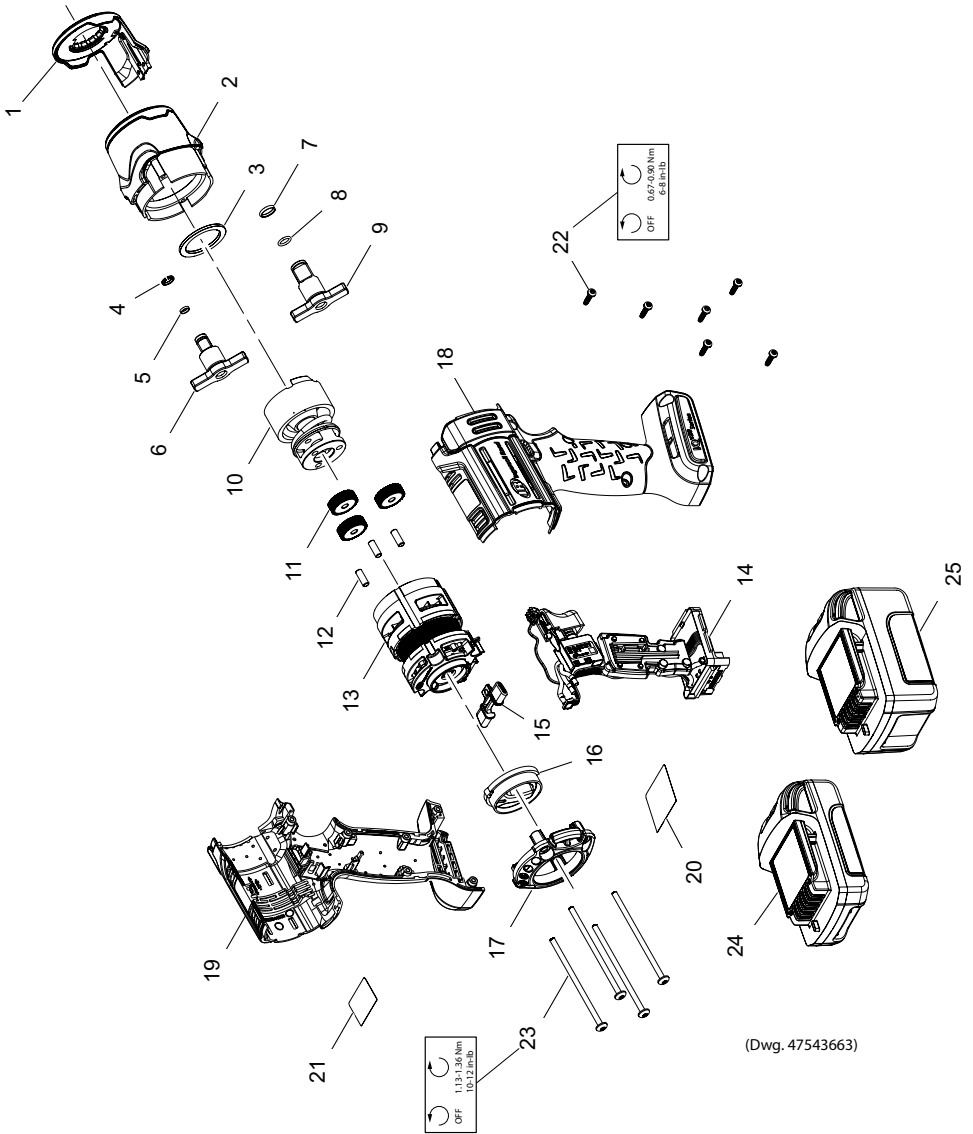


W5002 Series Cordless Impact Wrench - Exploded View



W5002 Series Cordless Impact Wrench - Parts List

Item	Part Description	Part Number	(CCN)	Item	Part Description	Part Number	(CCN)
1	LED Assembly Kit	W5132-KLED	(47543668001)	13	Brushless Motor Kit	W5132-K54	(47547006001)
*	Hammer Case Kit	W5132-K727	(47547001001)	14	Trigger & Electrical Assembly Kit	W5132-K93	(47531463001)
1	LED Assembly	--	--	20	Information Label	--	--
2	Hammer Case Assembly	--	--	15	Directional Switch (Forward / Task Light / Reverse)	W5132-K75	(47547007001)
3	Washer	--	--	16	Power Regulator Dial	W5132-K249	(47531555001)
*	Socket Retainer Kit For W5132, 3/8-in Square Drive	1702-K425	(47533407001)	17	Backcap	W5132-K40B	(47534800001)
4	Socket Retainer	--	--	*	Housing Kit	W5132-K40	(47547008001)
5	O-Ring	--	--	18	Right Housing	--	--
*	Socket Retainer Kit For For W5152, 1/2-in Square Drive	2125QT-K425	(80107733)	19	Left Housing	--	--
7	Socket Retainer	--	--	21	Warning Label	--	--
8	O-Ring	--	--	22	Screw, Housing (6 Required)	--	--
*	Anvil Kit For W5132, 3/8-in Square Drive	W5132-K626	(47547002001)	*	Label Kit	W5132-K99	(47547010001)
4	Socket Retainer	--	--	20	Information Label	--	--
5	O-Ring	--	--	21	Warning Label	--	--
6	Anvil	--	--	*	Fastener Kit	W5132-K105	(47547009001)
*	Anvil Kit For W5152, 1/2-in Square Drive	W5152-K626	(47547003001)	22	Screw, Housing (6 Required)	--	--
7	Socket Retainer	--	--	23	Screw, Hammer Case (4 Required)	--	--
8	O-Ring	--	--	20V Li-Ion Battery Pack			
9	Anvil	--	--	24	2.5 Ah	BL2012	(47515903001)
10	Impact Mechanism Kit	W5132-K724	(47547004001)	25	3.0 Ah	BL2010	(48386791)
*	Planetary Gear Kit	W5132-K37	(47547005001)		5.0 Ah	BL2022	(47515902001)
11	Planet Gear (3 Required)	--	--	*	Protective Battery Boot		
12	Pin (3 Required)	--	--		For BL2005, BL2012	BL2005-BOOT	(47510965001)
*	Grease				For BL2010, BL2022	BL2010-BOOT	(47510964001)
	IR #105 (1 lb can) for Im- pact Mechanism and Anvil	105 1 LB	(04279147)	*	Protective Tool Boot	W5132-BOOT	(47555745001)
	IR #105 (8 lb can) for Im- pact Mechanism and Anvil	105 8 LB	(04264875)	*	Battery Charger	BC1121	(47507879001)
	IR #67 (1 lb can) for Gearing	67 1 LB	(03773009)	*	Storage / Carrying Bag	TB4	(47543666001)
	IR #67 (8 lb can) for Gearing	67 8 LB	(03820008)				
	Grease Gun	R000A2-228	(03095015)				

* Indicates Not Illustrated.

Parts and Maintenance

When tool life has expired, it is recommended that the tool be disassembled, degreased and parts separated by material for proper recycling.

Tool repair and maintenance should only be carried out by an authorized Service Center.

Refer all communications to the nearest **Ingersoll Rand** office or distributor.**Related Documentation**Manuals can be downloaded from ingersollrandproducts.com

For additional information, refer to:

Product Safety Information Manual 04581146.

Product Information Manual 47543664001.

