



48420541
Edition 3
July 2015

Air Grinder

M2 Series

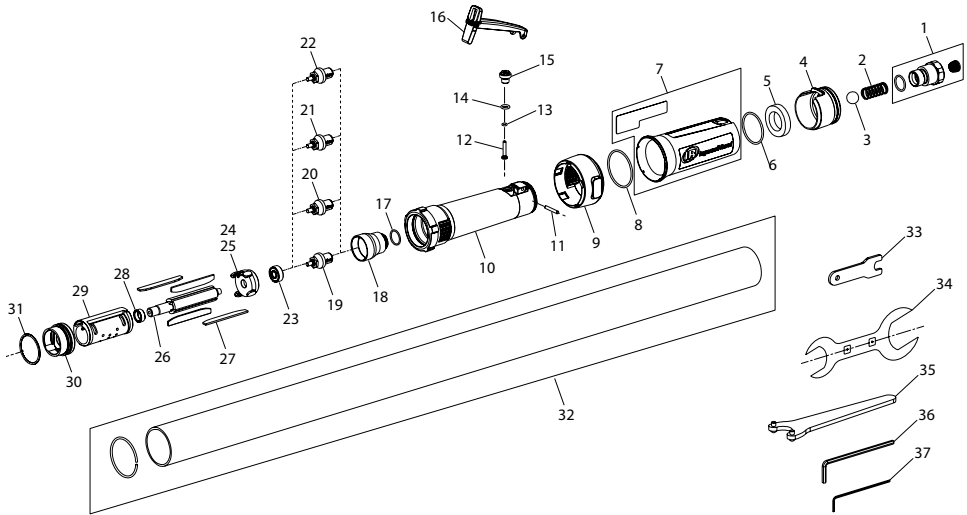
Parts Information



Save These Instructions

 **Ingersoll Rand**[®]

M2 Series Air Grinders - Exploded View (Motor & Motor Housing)



(Dwg. 47506255)

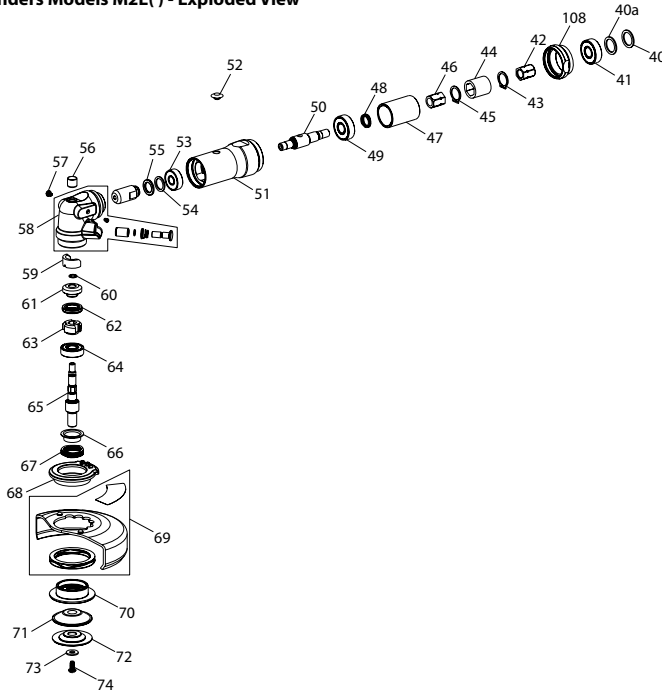
M2 Series Air Grinders - Parts List (Motor & Motor Housing)

Item	Part Description	Part Number	Item	Part Description	Part Number
1	Inlet Bushing Assembly	HG2-A465	24	Rear End Plate	HG2-12
	Inlet Bushing	-	25	Pin	Y178-211
	Inlet Screen	R1602-61	26	Rotor	HG2-53-4
	Inlet O-ring	48410609	27	Vane Pack (Set of 4)	HG2-42-4
2	Spring	MG1-51	28	Rotor Spacer	LG2-65
3	Ball	D10-280	29	Cylinder	HG2-3A
4	Rear Exhaust Diffuser	HG2-123	30	Front End Plate	HG2-11
5	Rear Muffler	HG2-311R	31	O-Ring	Y325-25
6	O-ring	Y325-26	32	Piped Away exhaust kit	HG2-K284
	Sleeve and Label Assembly	HG2-A747		Exhaust hose	HG2-284
		---		Retaining ring	HG2-203
8	O-ring	Y325-29	33	Wrench (11 mm, for controller assembly)	301-69A
	Front Housing Cap	HG2-202C	34	Wrench (38 mm, for clamp nut)	LA2-253
		Motor Housing Assembly	HG2-A40	35	Spanner Wrench (for flange nut, 5/8" & M14 arbors)
10	Motor Housing Assembly	HG2-A40	36	Hex key (4 mm, for screw, 5/8" & M14 arbors)	AG2-562
11	Pin	HG2-120			
12	Throttle Pin	HG2-161	37	Hex key (3/32", for screw, 3/8" arbors)	3NC5564-562
13	O-ring	45635125			
14	O-ring	Y325-10	†	M2E Tune up kit includes items (2, 3, 5, 6, 8, 11, 13, 14, 17, 23, 27, 31, 40, 40a, 41, 43, 45, 48, 49, 52, 53, 54, 55, 56, 60, 62, 64, 67)	HG2-GTKE
15	Throttle Pin Bushing	HG2-781			
16	Lever Assembly	HG2-A400			
	Lever	---			
	Lever Lock	---			
	Spring	---			
17	O-ring	47112487	†	M2X Tune up kit includes items (2, 3, 5, 6, 8, 11, 13, 14, 17, 23, 27, 31, 75, 76, 77, 79, 81, 84, 85, 88, 89, 90, 91)	HG2-GTKX
	Pin	---			
18	O-ring	47112487	†	M2A Tune up kit includes items (2, 3, 5, 6, 8, 11, 13, 14, 17, 23, 27, 31, 106, 107, 109, 110, 111, 115, 116, 121, 122, 124, 128)	HG2-GTKA
	Nozzle	HG2-19			
19	Controller Assembly (18,000 RPM) M2X180 model	HG2-A424-18K	†	M2L Tune up kit includes items (2, 3, 5, 6, 8, 11, 13, 14, 17, 23, 27, 31, 75, 76, 77, 79, 81, 84, 85, 104, 105, 109, 110, 111, 115, 116, 121, 122, 124, 128)	HG2-GTKL
	Controller Assembly (20,000 RPM) M2A120, M2L120 & M2E135 models	HG2-A424-20K			
20	Controller Assembly (20,000 RPM) M2A120, M2L120 & M2E135 models	HG2-A424-20K	†	M2ARP64 Tune up kit includes items (2, 3, 5, 6, 8, 11, 13, 14, 17, 23, 27, 31, 106, 107, 109, 110, 111, 141, 143, 145, 148)	HG2-GTKA-RP64
21	Controller Assembly (22,000 RPM) M2A135, M2L135 & M2E145 models	HG2-A424-22K	†	M2LRP64 Tune up kit includes items (2, 3, 5, 6, 8, 11, 13, 14, 17, 23, 27, 31, 75, 76, 77, 79, 81, 84, 85, 104, 105, 109, 110, 111, 141, 143, 145, 148)	HG2-GTKL-RP64
22	Controller Assembly (25,000 RPM) M2L100 model	HG2-A424-25K	†		
23	Bearing	HG2-127A	†	Service Tool Kit (33, 34, 35, 36, 37)	HG2-GTK

* Indicates Not Illustrated

† Indicates common-wear parts. Maintain stock to reduce downtime.

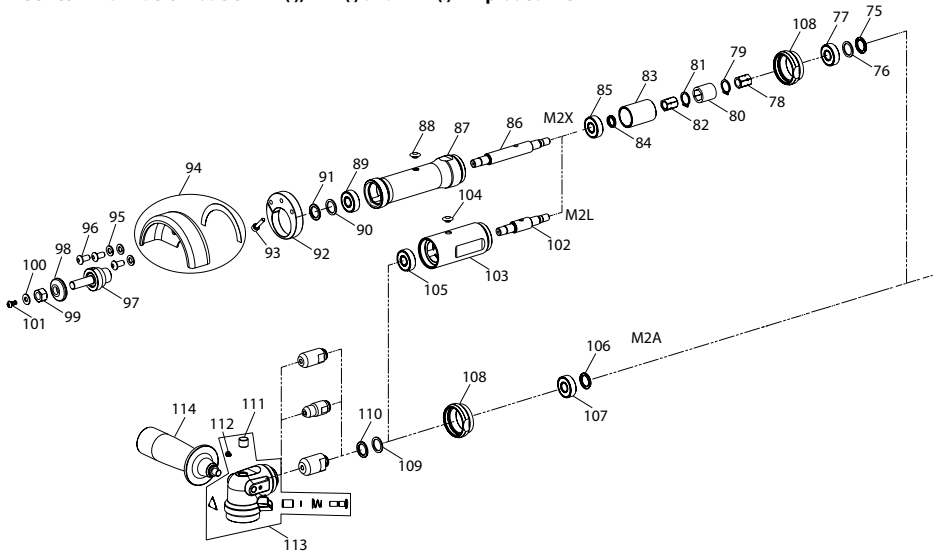
M2 Series Air Grinders Models M2E() - Exploded View



M2 Series Air Grinders Models M2E() - Parts List

Item	Part Description	Part Number	Item	Part Description	Part Number
40	Felt Wiper Cup	61H-32	59	Wick	HG1-561-1.5
40a	Felt Wiper	HG2-33	60	Ring, Retaining	48411326
41	Bearing	HG2-24	61	Bevel Pinion Assembly	HG1-A552-1.5
42	Bearing Nut	LE2-85	62	Rotory Seal, 12 X 21 X 4	HG1-223
43	Retaining Ring	RX3-729	63	Spindle Lock Hub	HG1-108
44	Arbor Coupling	LE2-304	64	Bearing, Ball 9 X 24 X 7	HG1-105
45	Retaining Ring	RX3-729	65	Arbor, 3/8 - 24	HG1-4-P6
46	Bearing Nut	HG2-85	66	Spring Guide	HG1-119
47	Clamp Sleeve	HG2-276	67	Spring, Wave	HG1-250B
48	Wave Spring	HG2-250E	68	Adjustable Guard Flange	HG1-710
49	Bearing	HG2-24	69	4" Guard Kit	HG1-A106-4
50	Arbor, Angle Extension	HG2-4RX		Warning Label, Guard	MG1-99G
51	Housing Extension	HG2-20RX		Spring, Wave	HG1-250G
52	Access hole plug	EG220-92		Guard, 4 inch	---
53	Front Rotor Bearing	AG210-24Z	70	Bearing and Guard retainer	HG1-118
54	Felt Wiper	HG1-33	71	Wheel Flange	ROA2D61-337
55	Felt Wiper Cup	HG1-32	72	Flange Nut, 3/8 - 24	HG1-338
56	Bearing, Needle	2015-22	73	Washer	12A5C24
57	Seal Screw	47500512001	74	Retention Screw	47500704001
58	Angle Head Assembly	HG1-A550	*	IR # 22 Angle Head Grease (20 cc packet)	77A-EP0
	Bearing	2015-22			
	Angle Housing	---			
	Grease Fitting	---			
	Locking Pin	---			
	O-ring	---			
	Spring, conical	---			
	Bushing	---			
	Warning Label, Heat	VT22-99			
	Seal Screw	47500512001			

M2 Series Air Grinders Models M2A(), M2L() and M2X() - Exploded View



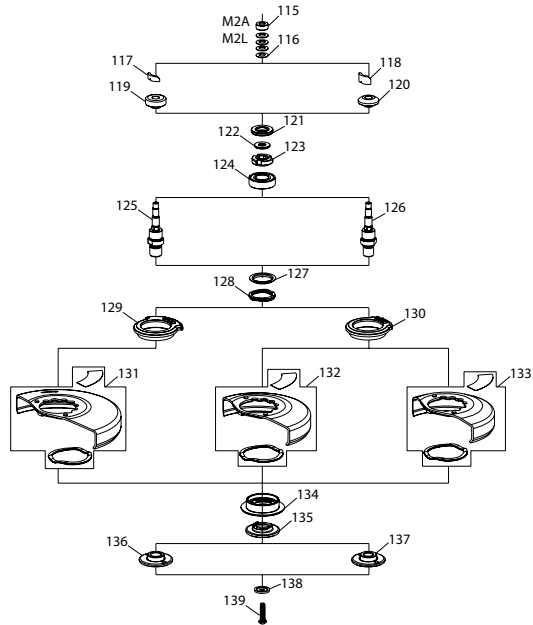
(Dwg. 47506257)

M2 Series Air Grinders Models M2A(), M2L() and M2X() - Parts List

Item	Part Description	Part Number	Item	Part Description	Part Number
75	Felt Wiper Cup	61H-32	101	Retention Screw	47500704001
76	Felt Wiper	HG2-33	102	Arbor, Angle Extension	HG2-4AX
77	Bearing	HG2-24	103	Housing, Angle Extension	HG2-20AX
78	Bearing Nut	LE2-85	104	Access hole plug	EG220-92
79	Retaining Ring	RX3-729	105	Bearing	HG2-24
80	Arbor Coupling	LE2-304	106	Felt Wiper Cup	61H-32
81	Retaining Ring	RX3-729	107	Bearing	HG2-24
82	Bearing Nut	HG2-85	108	Clamp Nut	HG2-27
83	Clamp Sleeve	HG2-276	109	Felt Wiper	HG2-33
84	Wave Spring	HG2-250E	110	Felt Wiper Cup	61H-32
85	Bearing	HG2-24	111	Bearing, Needle	MG1-693
86	Arbor Horizontal Extension	HG2-4HX	112	Seal Screw	47500512001
87	Housing, Horizontal Extension	HG2-20HX	113	Angle Head Assembly	HG2-A550
88	Access hole plug	EG220-92		Bearing	MG1-693
89	Bearing	HG2-24		Angle Housing	---
90	Felt Wiper	HG2-33		Grease Fitting	---
91	Felt Wiper Cup	61H-32		Locking Pin	---
92	Guard Adapter	LE2-710		O-ring	---
93	Hammer Case Cap Screw	231-638		Spring, conical	---
94	Guard Kit, 3"	LE2-A931		Bushing	---
	3" X 1/2" Wheel Guard	---		Warning Label, Heat	VT22-99
	Warning Label, Guard	AG2-99G		Seal Screw	47500512001
95	Lock Washer (3)	L01-67	114	Handle	HG2-48
96	Screw, Wheel Guard (3)	LE2-667			
97	3" Straight Wheel Adapter	LE2-4-H63			
98	Outer Wheel Flange	DEG31-16			
99	Jam Nut	23-697			
100	Washer	12A5C24			

M2 Series Air Grinders Models M2A090(), *M2A120() and M2L100() - Exploded View (Angle Head)

* Excludes M2A120RP64 (see DWG. 47506259).



(Dwg. 47506258)

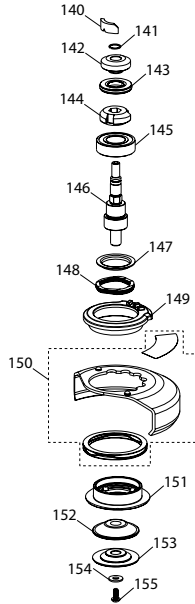
M2 Series Air Grinders Models M2A090(), *M2A120() and M2L100() - Parts List (Angle Head)

* Excludes M2A120RP64 (see DWG. 47506259).

Item	Part Description	Part Number	Item	Part Description	Part Number
115	Arbor Collar	47501508001	131	Guard Kit, 6"	HG2-A106-6
116	Belleville Spring (4)	47501506001		Guard	---
117	Wick M2A120 model	HG2-561-1.7		Spring, Wave	HG2-250G1
118	Wick M2A090 & M2A100 models	HG2-561-2.4		Warning Label, Guard	MG1-99G
119	Bevel Pinion Assembly M2A120 model	HG2-A552-1.7	132	Guard Kit, 5"	HG2-A106-5
120	Bevel Pinion Assembly M2A090 & M2A100 models	HG2-A552-2.4		Guard	---
121	Rotary Seal	HG2-223		Spring, Wave	HG2-250G1
122	Thrust Washer	HG2-317		Warning Label, Guard	MG1-99G
123	Spindle Lock Hub	HG2-108A	133	Guard Kit, 4.5"	HG2-A106-45
124	Bearing	HG2-105A		Guard	---
125	Arbor, M14	HG2-4-P9		Spring, Wave	HG2-250G1
126	Arbor, 5/8"-11	HG2-4-P10		Warning Label, Guard	MG1-99G
127	Spring Guide	HG2-119	134	Bearing Retainer	HG2-118
128	Spring, Wave	HG2-250B	135	Wheel Flange	HG2-337
129	Adjustable Guard Flange 6" guard	HG2-710A	136	Flange Nut, M14	MG1-338M
130	Adjustable Guard Flange 4.5" and 5" guards	HG2-710	137	Flange Nut, 5/8 - 11	MG1-338
			138	Flange Nut Washer	LG2-218
			139	Retension Screw	47502560001
			*	IR # 22 Angle Head Grease (20 cc packet)	77A-EP0

* Indicates Not Illustrated

M2 Series Air Grinders Models M2A135(), M2L135() and M2A120RP64 - Exploded View



(Dwg. 47506259)

M2 Series Air Grinders Models M2A135(), M2L135() and M2A120RP64 - Parts List

Item	Part Description	Part Number	Item	Part Description	Part Number
140	Wick	HG2-561-1.7	150	Guard Kit, 4"	HG2-A106-4
141	Ring, Retaining	48378715		Guard	---
142	Bevel Pinion Assembly	HG2-A552-1.7		Spring, Wave	HG2-250G
143	Rotary Seal	HG2-223		Warning Label, Guard	MG1-99G
144	Spindle Lock Hub	HG2-108	151	Bearing Retainer	HG2-118
145	Bearing	HG2-105A	152	Wheel Flange	R0A2D61-337
146	Arbor, 3/8" - 24	HG2-4-P6	153	Flange Nut, 3/8 - 24	HG1-338
147	Spring Guide	HG2-119	154	Washer	12A5C24
148	Spring, Wave	HG2-250B	155	Retension Screw	47500704001
149	Adjustable Guard Flange	HG2-710	*	IR # 22 Angle Head Grease (20 cc packet)	77A-EP0

* Indicates Not Illustrated

Parts and Maintenance

When tool life has expired, it is recommended that the tool be disassembled, degreased and parts separated by material for proper recycling.

Tool repair and maintenance should only be carried out by an authorized Service Center.

Refer all communications to the nearest **Ingersoll Rand** office or distributor.

Related Documentation

Manuals can be downloaded from ingersollrandproducts.com

For additional information, refer to:

Air Grinder Product Safety Information Manual 04584959.

Air Grinder Product Information Manual 48420525.

ingersollrandproducts.com

© 2015 *Ingersoll Rand*

