

SALES & ENGINEERING DATA

RATIO SERIES: **1:1**

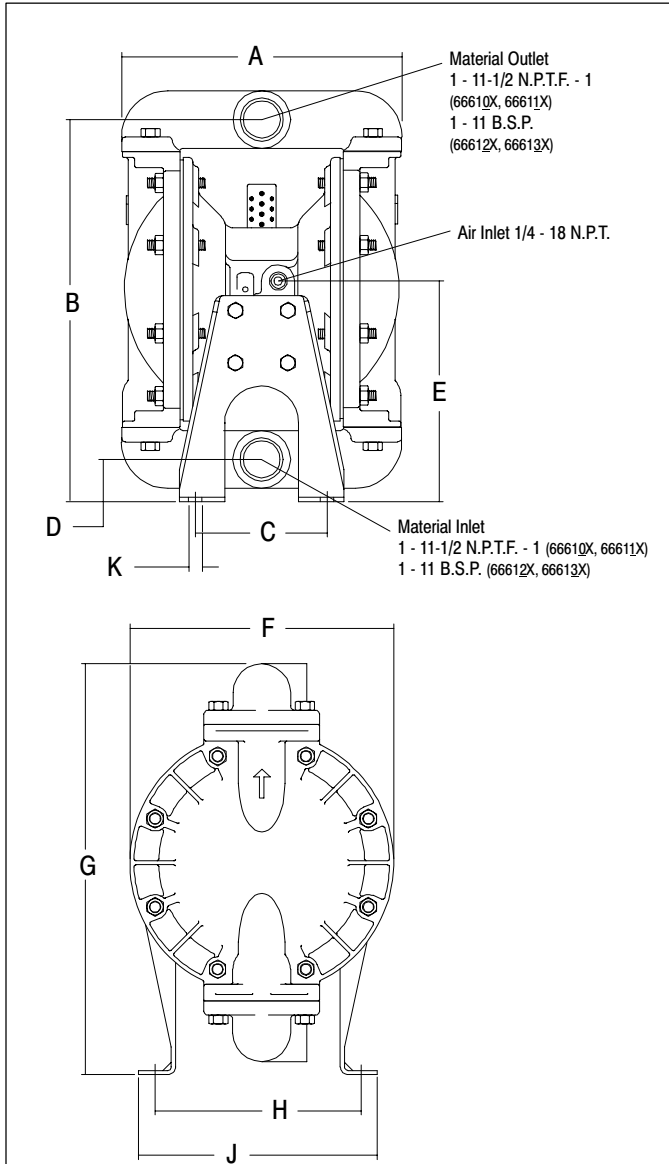
FLUID P.S.I. RANGE: **20 - 120**

66610X-XXX-C

1" METALLIC DIAPHRAGM PUMP

RELEASED: 12-20-96
REVISED: 6-15-01
S-878

DIMENSIONAL DATA



DIMENSIONS

A	8-9/16" (217 mm)	E	6-1/2" (165 mm)	H	6-1/4" (159 mm)
B	11-9/16" (294 mm)	F	8" (203 mm)	J	7-5/16" (186 mm)
C	4" (102 mm)	G	12-1/2" (318 mm)	K	7/16" (11 mm)
D	1-1/4" (32 mm)				

NOTE: Dimensions are shown in inches and (mm), supplied for reference only and are typically rounded up to the nearest 1/16 inch.

SPECIFICATIONS

CONSTRUCTION

Model Series	66610X-XXX-C
Pump Type	Metallic, Air Operated, Double Diaphragm
Ratio	1:1
Material Inlet / Outlet (female)	
66610X-X and 66611X-X	1 - 11-1/2 N.P.T.
66612X-X and 66613X-X	1 - 11 B.S.P.
Air Inlet (female)	1/4 - 18 N.P.T.
Air Exhaust (female)	3/8 - 18 N.P.T.F. - 1
Weight	
Aluminum	19 lbs (8.62 kgs)
Cast Iron	31 lbs (14.06 kg)
Stainless Steel	36 lbs (16.33 kgs)
	(add 8 lbs (3.63 kgs) for cast iron air motor section)
Air Section Service Kit	637118-C
Fluid Section Service Kit	637119-XX-C

66610X - X -C

637119 - -C

Diaphragm Material
Ball Material

EXAMPLE: Model 666100-361-C
Fluid Section Service Kit is 637119-61-C

PERFORMANCE

Air Inlet Pressure Range	20 - 120 p.s.i. (1 - 8.3 bar)
Maximum Material Inlet Pressure ...	10 p.s.i. (0.69 bar)
Fluid Pressure Range	20 - 120 p.s.i. (1 - 8.3 bar)
Maximum Flow Rate (flooded inlet)	35 g.p.m. (133 l.p.m.)
Maximum Particle Size	1/8" dia. (3.2 mm)
Maximum Temperature Limits	
Polypropylene seats	35° to 150°F (2° to 66°C)
Kynar (PVDF) seats	10° to 200°F (-12° to 93°C)
Displacement / Cycle @ 100 p.s.i. ...	0.16 gal. (.60 lit.)
Noise Level @ 70 p.s.i. - 60 c.p.m. ①	64.5 db(A) ②

① Tested with 93110 muffler installed.

② The pump sound pressure level has been updated to an Equivalent Continuous Sound Level (L_{Aeq}) to meet the intent of ANSI S1. 13-1971, CAGI-PNEUROPS 5.1 using four microphone locations.

ACCESSORIES:

- 65010 Neoprene "O" Ring Air Motor Kit
- 65764 Viton "O" Ring Air Motor Kit
- 66073-1 Air Line Kit
- 637167 Abrasion Resistant Conversion Kit



PERFORMANCE CURVES

6661XX-XXX-C 1" METALLIC DIAPHRAGM PUMP

