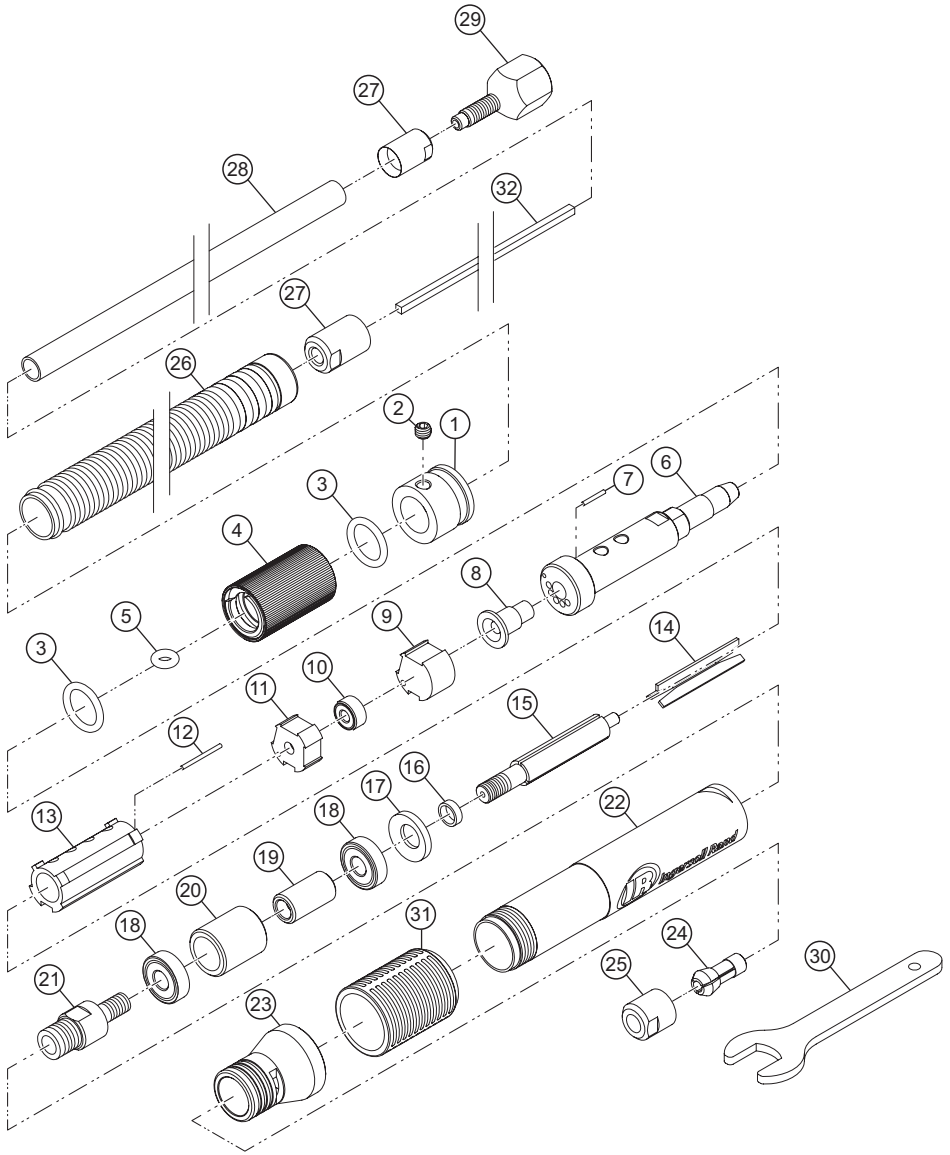


320PG, Air Pencil Grinder - Exploded View



(Dwg. TL-320-PLM-1)

320PG, Air Pencil Grinder - Parts List

Item	Part Description	QTY.	Part Number (CCN)
1	Rear End Holder	1	320-12
2	Screw (M4 x 3L)	1	320-78
3	O-Ring (9.8 X 1.9)	2	320-65
4	Throttle Valve Handle	1	320-302
5	O-Ring (3.0 X 2.1)	1	320-282
6	Hose Plug	1	320-108
7	Pin	1	320-15
8	Plug	1	320-229
9	Intake Plate	1	320-55
10	Ball Bearing	1	320-22
11	Bearing Plate	1	320-485
12	Pin	1	320-120
13	Cylinder	1	320-3
14	Roter Blade	3	320-42
15	Rotor	1	320-53
16	Rotor Spacer	1	320-80
17	Lateral Disc	1	320-111
18	Ball Bearing	2	320-24
19	Interior Bushing	1	320-330
20	Outer Bushing	1	320-641
21	Collet Holder	1	320-293
22	Housing	1	320-40
23	Front Cover	1	320-240
24	Collet	1	320-103
25	Collet Nut	1	320-27
26	Muffler Tube	1	320-873
27	Hose Ring	2	320-338
28	Air Hose	1	320-130
29	Air Inlet	1	320-565
30	Spanner	2	320-26
31	Grip	1	320-747
32	Muffler	1	320-674

Parts and Maintenance

When tool life has expired, it is recommended that the tool be disassembled, degreased and parts separated by material for proper recycling. Tool repair and maintenance should only be carried out by an authorized Service Center.

Refer all communications to the nearest **Ingersoll Rand** office or distributor.

Related Documentation

Manuals can be downloaded from ingersollrand.com

For additional information, refer to:

Product Safety Information Manual 04580288

Product Information Manual TL-320-PIM

Declaration of Conformity TL-320-DOC

