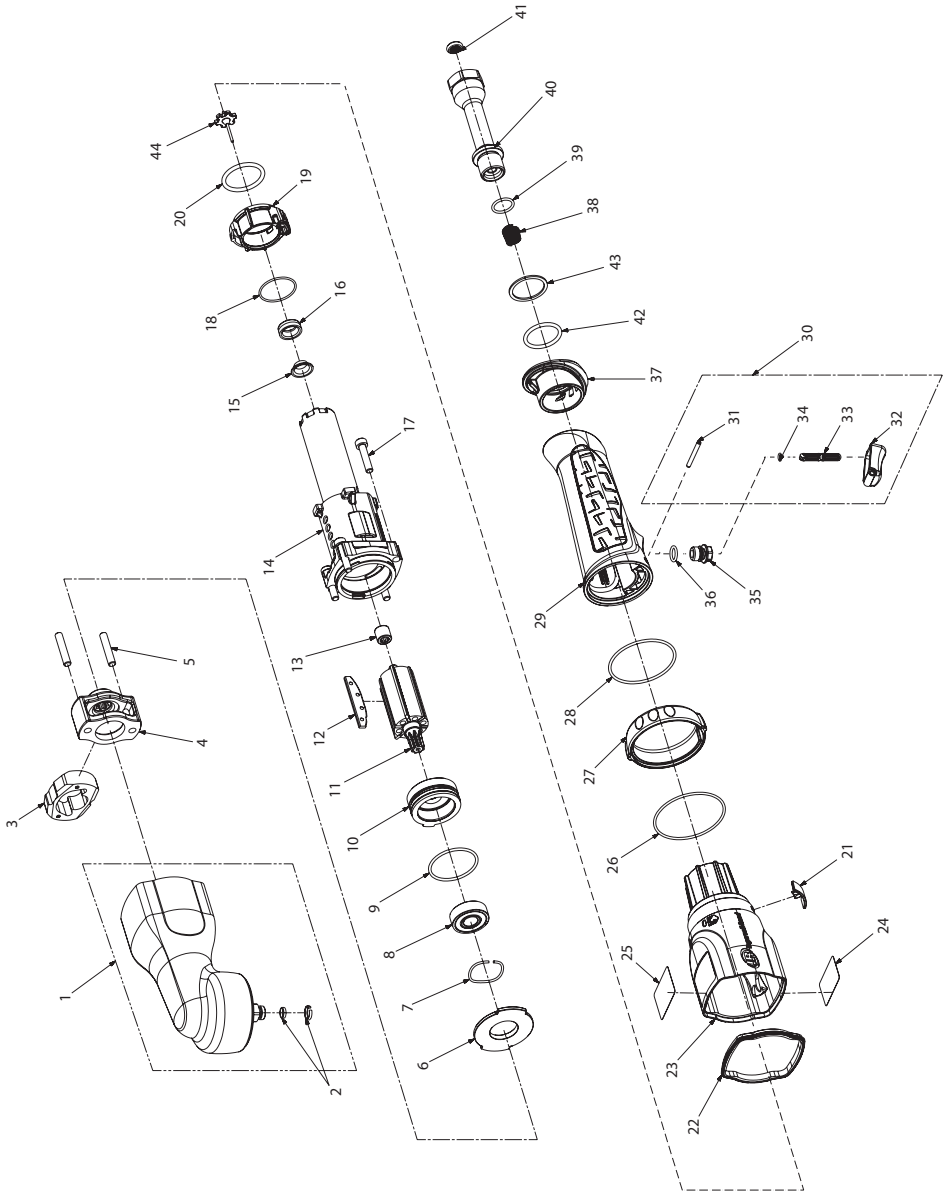


2015MAX and 2025MAX Series, Angle Air Impact Wrench - Exploded View



(Dwg. 47098801)

2015MAX and 2025MAX Series, Angle Air Impact Wrench - Parts List

Item	Part Description	Part Number	Item	Part Description	Part Number
1	Anglehead Assembly		29	Grip	2015-40-B
	for model 2015MAX	2015-A550	30	Trigger Kit	2015-K93
	for model 2025MAX	2025-A550	31	Trigger Pin	---
2	Socket Retainer Kit		32	Trigger	---
	for model 2015MAX	2115-K425	33	Throttle Pin	---
	for model 2025MAX	2125QTI-K425	34	O-Ring	---
*	Mechanism Kit	2015-THK	*	Throttle Bushing Assembly	2015-A781
3	Hammer	2015-724	35	Throttle Bushing	---
4	Hammer Frame	2015-703	36	O-Ring	---
5	Hammer Pin (2 Included in kit)	2015-704	37	Exhaust Cap	2015-123
6	Washer	2015-18A	*	Inlet Bushing Assembly	2015-A565
7	Spring Washer	2015-207	38	Spring	---
*	Endplate Assembly	2015-A11	39	O-Ring	---
8	Bearing	WFS182-22	40	Inlet Bushing	---
9	O-Ring	---	41	Screen	---
10	Endplate	---	*	Inlet Parts Kit	2015-K303
11	Rotor	2015-53	38	Spring	---
12	Vane Pack (6 vanes)	2015-A42-6	39	O-Ring	---
*	Motor Cylinder Assembly	2015-A3	42	O-Ring	---
13	Bearing	---	43	Washer	---
14	Motor Cylinder	---	44	Throttle Valve	---
15	Seat Support	---	15	Seat Support	---
16	Valve Seat	---	16	Valve Seat	---
17	Housing Screws (4 required)	2015-638	*	Tune-Up Kit	2015-TK
*	Reverse Valve Kit	2015-K329	*	Endplate Assembly	---
18	O-Ring	---	12	Vane Pack (6 vanes)	---
19	Reverse Valve	---	18	O-Ring	---
20	O-Ring	---	20	O-Ring	---
21	Actuator	---	22	Gasket	---
22	Gasket	2015-36	26	O-Ring	---
*	Motor Housing Assembly		28	O-Ring	---
	for model 2015MAX	2015-A40	33	Throttle Pin	---
	for model 2025MAX	2025-A40	34	O-Ring	---
23	Motor Housing	---	36	O-Ring	---
24	Warning Label	---	*	Inlet Parts Kit	---
25	Information Label	---	*	Air Care Kit (Grease Gun, Grease, Oil)	105-LBK1
24	Warning Label	WARNING-38-99	*	Grease (replacement tube for -LBK1)	105-4T
25	Information Label		*	Air Tool Oil (4 oz. bottle)	10Z4
	for model 2015MAX	2015MAX-301	*	Grease (1 lb can)	105-1LB
	for model 2025MAX	2025MAX-301	*	Protective Boot	2015-BOOT
*	Reverse Ring Kit	2015-K273	*	Service Vise Jaws	2015-K598
26	O-Ring	---			
27	Reverse Ring	---			
28	O-Ring	---			
21	Actuator	---			

* Indicates not illustrated.

Parts and Maintenance

When tool life has expired, it is recommended that the tool be disassembled, degreased and parts separated by material for proper recycling. Tool repair and maintenance should only be carried out by an authorized Service Center. Refer all communications to the nearest **Ingersoll Rand** office or distributor.

Related Documentation

Manuals can be downloaded from ingersollrand.com

For additional information, refer to:

Product Safety Information Manual 04580916.

Product Information Manual 45537560.

