



47670293001
Edition 2
September 2022

Percussive Air Hammer

**119MAX, 119MAXH, 123MAX, 123MAXH,
135MAX, and 135MAXH**

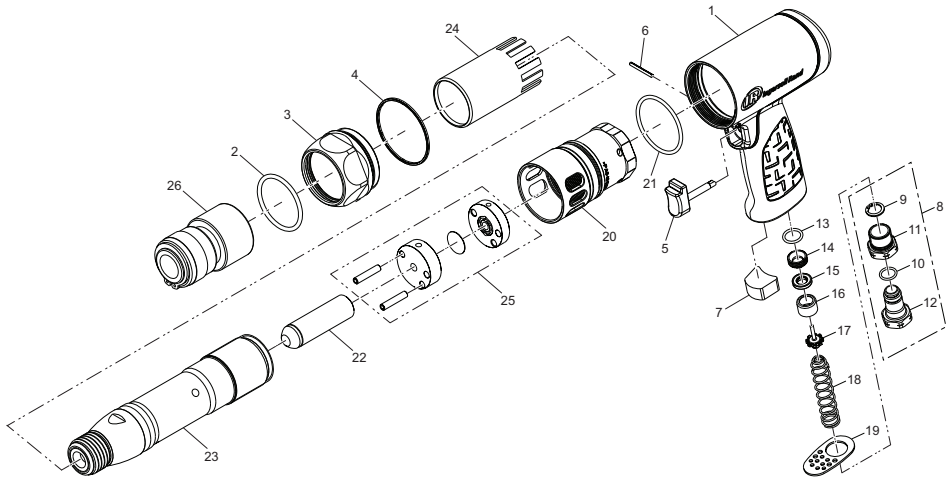
Parts Information



Save These Instructions



119MAX and 119MAXH, Air Hammer - Exploded View



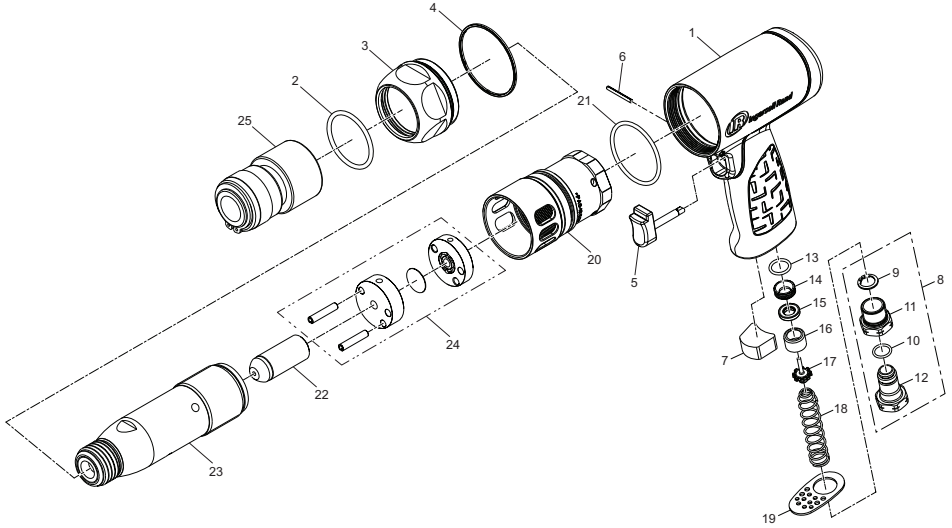
(Dwg. 47670293-1)

119MAX and 119MAXH, Air Hammer - Parts List

Item	Part Description	Part Number (CCN)	Item	Part Description	Part Number (CCN)
	Housing Assembly		15	Valve Seal	122MAX-210 (47126040)
	for model 119MAX	119MAX-59A	16	Valve Bushing	122MAX-503 (47126057)
	for model 119MAXH	119MAXH-59A	17	Throttle Valve	122MAX-302 (47126065)
1	Housing	---	18	Throttle Valve Spring	122MAX-51 (47126073)
*	Specification Label		19	Deflector	123MAX-123
	for model 119MAX	119MAX-300	20	Rear Cushion	123MAX-304
	for model 119MAXH	119MAXH-300	21	O-Ring	122MAX-282 (47126099)
*	Warning Label	122MAX-99 (46816641)	22	Main Piston	118MAX-20 (47127816)
2	O-Ring	118MAX-65 (47127949)	23	Barrel	
3	Front Cap	119MAX-27		for model 119MAX	118MAX-6 (47127824)
4	Gasket	122MAX-36 (47126396)		for model 119MAXH	118MAXH-6 (48484869)
5	Trigger	122MAX-93 (47125919)	24	Dust Cover	118MAX-23 (47127832)
6	Spring Pin	122MAX-121 (47125927)	25	Valve Assembly	122MAX-4A (47126131)
7	Muffler	122MAX-311 (47125935)		Valve Unit (rear)	---
8	Air Inlet Assembly	529-565X (46816047)		Valve Seal	---
9	Snap Ring	---		Valve Unit (front)	---
10	O-Ring	---		Spring Pin (QTY. 2)	---
11	Air Inlet	---	26	Quick Change Retainer	9510 (80167752)
12	Swivel Adapter	---	*	Chisel Set	
13	O-Ring	122MAX-168 (47126024)		for model 119MAX	9500 (80117427)
14	Valve Seat	122MAX-303 (47126032)		for model 119MAXH	116H-K5 (46816773)

* Indicates not illustrated.

123MAX and 123MAXH, Air Hammer - Exploded View



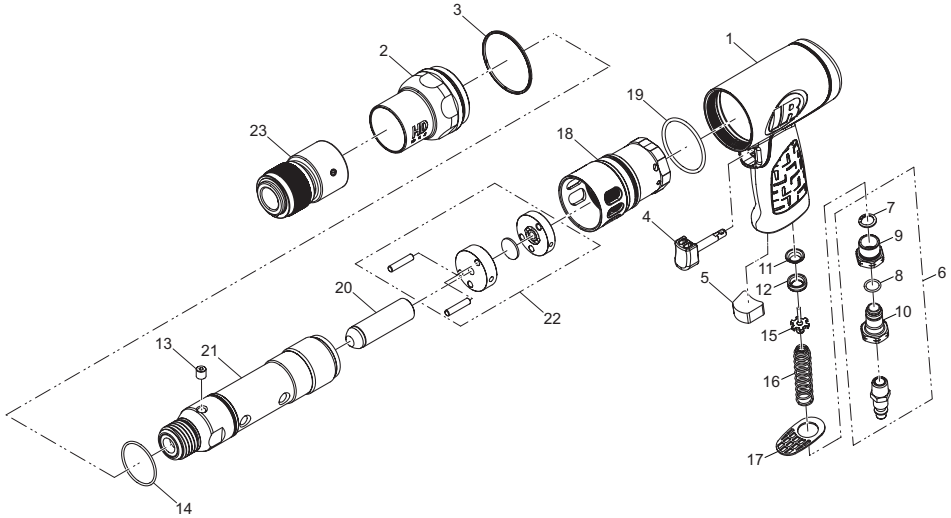
(Dwg. 47670293-2)

123MAX and 123MAXH, Air Hammer - Parts List

Item	Part Description	Part Number (CCN)	Item	Part Description	Part Number (CCN)
	Housing Assembly		15	Valve Seal	122MAX-210 (47126040)
	for model 123MAX	123MAX-59A	16	Valve Bushing	122MAX-503 (47126057)
	for model 123MAXH	123MAXH-59A	17	Throttle Valve	122MAX-302 (47126065)
1	Housing	---	18	Throttle Valve Spring	122MAX-51 (47126073)
*	Specification Label		19	Deflector	123MAX-123
	for model 123MAX	123MAX-300	20	Rear Cushion	123MAX-304
	for model 123MAXH	123MAXH-300	21	O-Ring	122MAX-282 (47126099)
*	Warning Label	122MAX-99 (46816641)	22	Main Piston	122MAX-20 (47126107)
2	O-Ring	122MAX-65 (47126123)	23	Barrel	
3	Front Cap	123MAX-27		for model 123MAX	122MAX-6 (47126115)
4	Gasket	122MAX-36 (47126396)		for model 123MAXH	122MAXH-6 (48484869)
5	Trigger	122MAX-93 (47125919)	24	Valve Assembly	122MAX-4A (47126131)
6	Spring Pin	122MAX-121 (47125927)		Valve Unit (rear)	---
7	Muffler	122MAX-311 (47125935)		Valve Seal	---
8	Air Inlet Assembly	529-565X (46816047)		Valve Unit (front)	---
9	Snap Ring	---		Spring Pin (QTY. 2)	---
10	O-Ring	---	25	Quick Change Retainer	9510 (80167752)
11	Air Inlet	---	*	Chisel Set	
12	Swivel Adapter	---		for model 123MAX	9500 (80117427)
13	O-Ring	122MAX-168 (47126024)		for model 123MAXH	116H-K5 (46816773)
14	Valve Seat	122MAX-303 (47126032)			

* Indicates not illustrated.

135MAX and 135MAXH, HD Air Hammer - Exploded View



(Dwg. 47670293-3)

135MAX and 135MAXH, HD Air Hammer - Parts List

Item	Part Description	Part Number (CCN)	Item	Part Description	Part Number (CCN)
	Housing Assembly		15	Throttle Valve	135MAX-302
	for model 135MAX	135MAX-59A	16	Throttle Valve Spring	135MAX-51
	for model 135MAXH	135MAXH-59A	17	Deflector	135MAX-123
1	Housing	---	18	Rear Cushion	123MAX-304
*	Specification Label		19	O-Ring	122MAX-282 (47126099)
	for model 135MAX	135MAX-300	20	Main Piston	118MAX-20 (47127816)
	for model 135MAXH	135MAXH-300	21	Barrel	
*	Warning Label	122MAX-99 (46816641)		for model 135MAX	135MAX-6
2	Front Cap	135MAX-27		for model 135MAXH	135MAXH-6
3	Gasket	135MAX-36	22	Valve Assembly	135MAX-4A
4	Trigger	135MAX-93		Valve Unit (rear)	---
5	Muffler	122MAX-311 (47125935)		Valve Seal	---
6	Air Inlet Assembly	529-565X (46816047)		Valve Unit (front)	---
7	Snap Ring	---		Spring Pin (QTY. 2)	---
8	O-Ring	---	23	Quick Change Retainer	47760465001 (47760465)
9	Air Inlet	---	*	Chisel Set	
10	Swivel Adapter	---		for model 135MAX	9500 (80117427)
11	Seal Bushing	135MAX-38		for model 135MAXH	116H-K5 (46816773)
12	Seal	135MAX-272			
13	Screw	135MAX-78			
14	O-Ring	135MAX-367			

* Indicates not illustrated.

Parts and Maintenance

When tool life has expired, it is recommended that the tool be disassembled, degreased and parts separated by material for proper recycling.

Tool repair and maintenance should only be carried out by an authorized service center.

Refer all communications to the nearest **Ingersoll Rand** office or distributor.

Related Documentation

Manuals can be downloaded from ingersollrand.com

For additional information, refer to:

Product Safety Information Manual 04581450

Product Information Manual 47670292001

Declaration of Conformity 47670295001

Notes:

Notes:

[ingersollrand.com](https://www.ingersollrand.com)

© 2022 *Ingersoll Rand*

