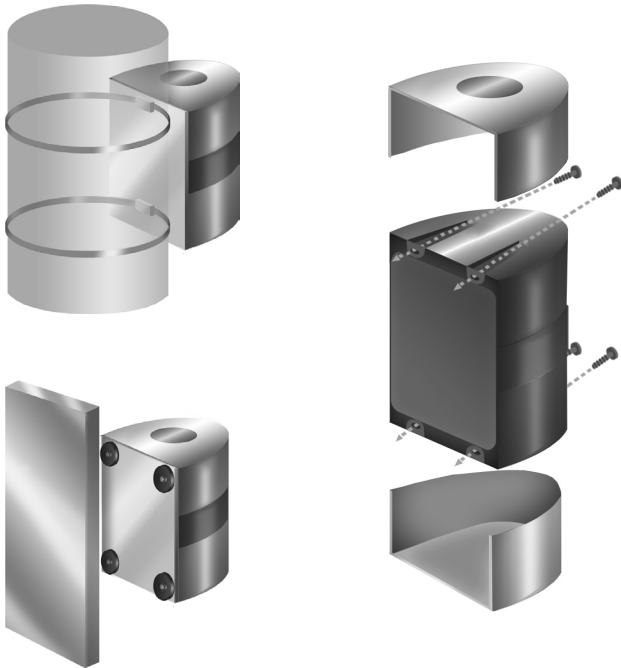


# WALLMASTER RETRACTABLE BELTS

A simple to install wall mount belt.

Designed for restricting access in medium span applications, often used with the magnetic mounting option to temporarily close warehouse aisles when forklifts are in use.



Mounting Options



Belt Colorways

## Models

### WALLMASTER

*Short to Medium Span Retractable Belt*

### WALLMASTER TWIN

*Dual Retractable Belts*

## Features

- Belt Lengths: 10ft, 15ft
- Height: 6.25"
- Width: 4.5"
- Depth: 4.5"
- Weight: 1.8lb
- Belt Width: 2"



**LOADING DOCK  
WAREHOUSE**