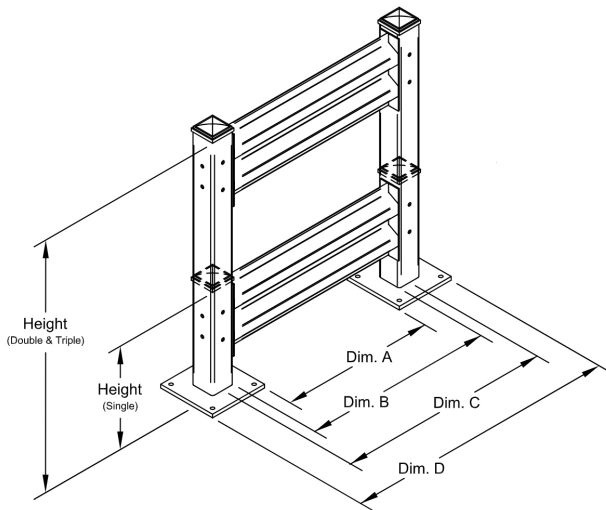


# WILGARD STEEL GUARD RAILS

Wilgard Guard Rail systems can be ordered in single, double or triple rail design. Column centers are identical for Standard and Lift-Out Guard Rails. All guard rail components include necessary hardware and anchors.



## Models

**LT**

*Light Duty Guard Rail*

**MT**

*Medium Duty Guard Rail*

**XT**

*Heavy Duty Guard Rails*

## Features

- Anchors: 3/8" x 4" Wedge Bolts (included)
- Post Cap: Zinc plated snap-on steel cap
- Rails: 12" H with hemmed / rolled edges  
LT Steel Gauge: 14  
MT Steel Gauge: 12  
XT Steel Gauge: 11
- Lengths: 2 ft. - 10 ft. in one foot increments
- Rail Hardware Pack: (4) 1/2" x 5" thru bolts, nuts, and flat washers
- Column Hardware Pack: (4) 3/8" x 4" wedge bolts, yellow plastic plugs for unused holes, and black molded plastic cap



**LOADING DOCK  
WAREHOUSE**