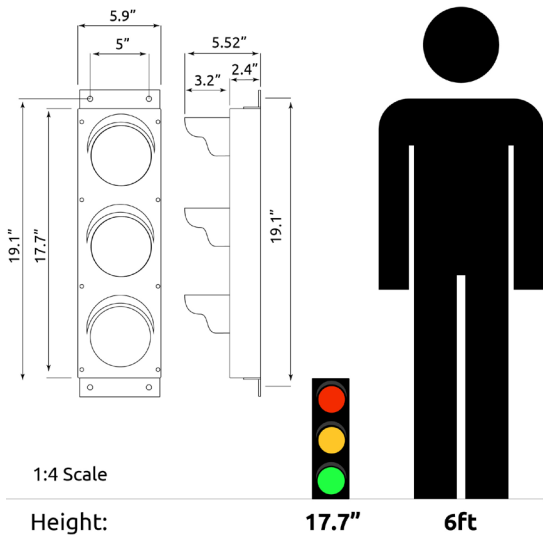
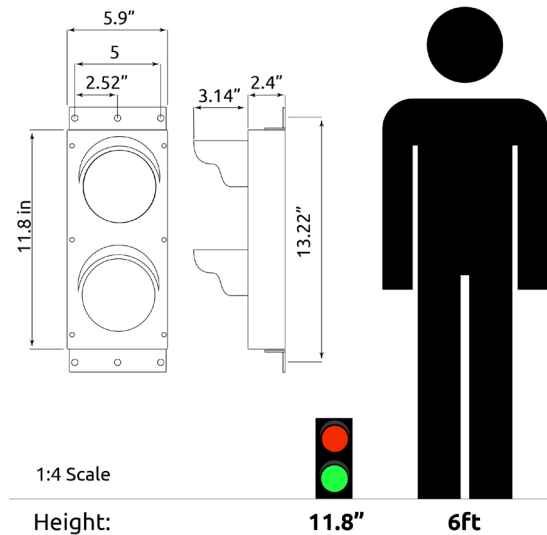


TL4 4" DIA. LENS TRAFFIC/DOCK LIGHT

The TL4 is our standard 4 inch (100mm) LED Industrial Traffic Light. The sturdy aluminum housing gives this LED traffic light durability in harsh weather environments. The TL4 is suited for use in truck dock bays, fork lift intersections, roads & parking lots. It has 45 bright LED's to ensure maximum visibility.



3 Light Dimensions



2 Light Dimensions

Models

TL4-AC-2
110-220 VAC Voltage

TL4-DC-2
12-24 VDC Voltage

TL4-3
3 Light Sections

Features

- 45 LED's per light section provides excellent brightness
- Durable aluminum housing for indoor/outdoor applications
- Moisture and dust tight multilayer seal protect lenses from the elements
- IP 65 rated, waterproof housing
- Up to 90% of energy savings compared to incandescent bulbs
- Over 500,000 hours of usage
- All models are CE compliant
- Two right angle mounting brackets included



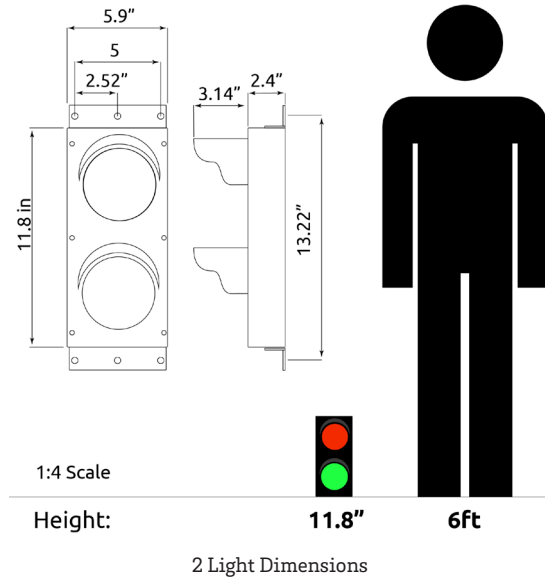
**LOADING DOCK
WAREHOUSE**

STOP-GO DOCK LIGHT WITH ADDED CONTROLS

The TL4 is our standard 4 inch (100mm) LED Industrial Traffic Light. The sturdy aluminum housing gives this LED traffic light durability in harsh weather environments. The TL4 is suited for use in truck dock bays, fork lift intersections, roads & parking lots. It has 45 bright LED's to ensure maximum visibility.



3 Way Switch - Red/Off/Green



Models

TL4-AC-2-PC-SW
Dock Light with 3 Way Switch

TL4-AC-2-PC-WF
Dock Light with 2 Remote Keyfobs

Features

- 45 LED's per light section provides excellent brightness
- Durable aluminum housing for indoor/outdoor applications
- Moisture and dust tight multilayer seal protect lenses from the elements
- IP 65 rated, waterproof housing
- Up to 90% of energy savings compared to incandescent bulbs
- Over 500,000 hours of usage
- All models are CE compliant
- Two right angle mounting brackets included



**LOADING DOCK
WAREHOUSE**