

VERTEX PRO/DIAMOND4

MADE IN MICHIGAN • GSA COMPLIANT



We couldn't stop with just one design of the Vertex Pro frame, so we created the diamond configuration as well. Aesthetically different from all other standing desks, this truly unique design is a stability monster. 4 Bosch powered legs available in 150+ custom colors create the ultimate personalized sit-to-stand experience with best-in-class stability

FEATURES

- Quad motor
- Intuitive adjustment controller
- 4x Height memory preset
- 400 lbs lifting capacity
- Fixed frame (different sizes available)
- More complex assembly / cascading control boxes
- Custom color options

DIMENSIONS

Fixed frame (36"-90")

WEIGHT

Desk frame: 140lbs

POWER

110v - 240v

HEIGHT ADJUSTMENT

Mid-Range height range: 27.5" to 46.4"
(Includes 1" work surface)

Extended height range: 22.5" to 48.5"
(Includes 1" work surface)

Speed: 1.5" / second

Noise: <50db

MAXIMUM LOAD

400 lbs

FINISHES



BLACK



WHITE



SILVER



150+ Custom Options available

MATERIALS

Powder coated steel

WARRANTY

20-year limited warranty



Included LogicDATA hand switch

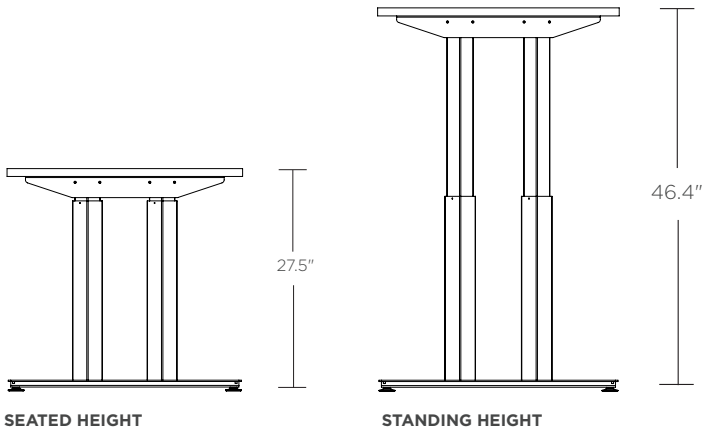
Updated 12/2022

VERTEX PRO/DIAMOND4

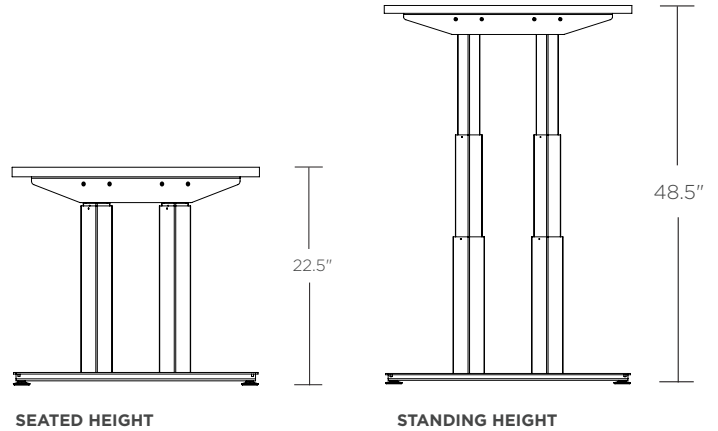
MADE IN MICHIGAN • GSA COMPLIANT



MID-RANGE HEIGHT SPECS



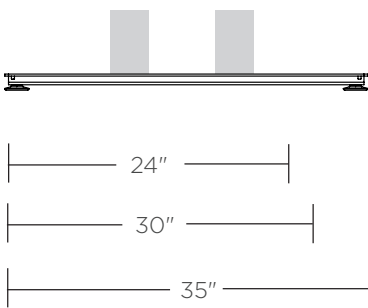
EXTENDED-RANGE HEIGHT SPECS



* All measurements indicated include a 1" top



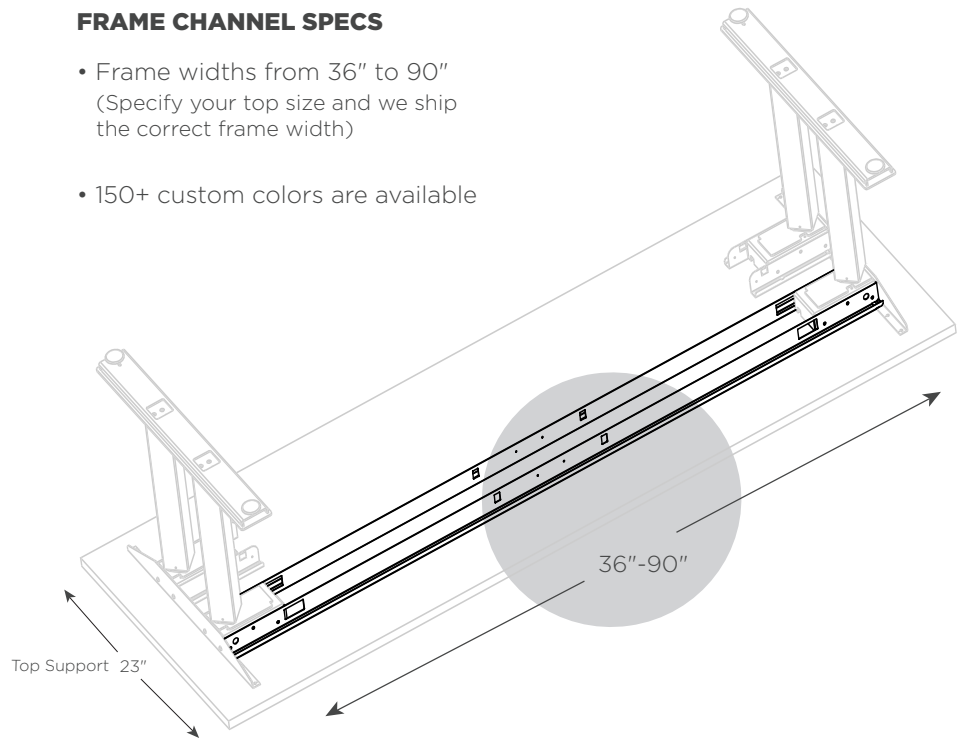
FOOT SIZES



* Top supports are 25.3" for 30" and 32" for 35" foot sizes

FRAME CHANNEL SPECS

- Frame widths from 36" to 90"
(Specify your top size and we ship the correct frame width)
- 150+ custom colors are available



Updated 12/2022