

VERTEX PRO/4

MADE IN MICHIGAN • GSA COMPLIANT



We set out to make the most stable height adjustable frame possible without crossbars and succeeded with our Vertex Pro series. 4 Bosch powered legs available in 150+ custom colors create the ultimate personalized sit-to-stand experience with best-in-class stability

FEATURES

- Quad motor
- Intuitive adjustment controller
- 4x Height memory preset
- 400 lbs lifting capacity
- Fixed frame (different sizes available)
- More complex assembly / cascading control boxes
- Custom color options

DIMENSIONS

Fixed frame (36"-90")

WEIGHT

140 lbs

POWER

110v - 240v

HEIGHT ADJUSTMENT

Mid-Range height range: 27.5" to 46.4"
(Includes 1" work surface)

Extended height range: 22" to 50"
(Includes 1" work surface)

Speed: 1.5" / second

Noise: <50db

MAXIMUM LOAD

400 lbs

FINISHES



BLACK

WHITE

SILVER



150+ Custom Options available

MATERIALS

Powder coated steel

WARRANTY

20-year limited warranty

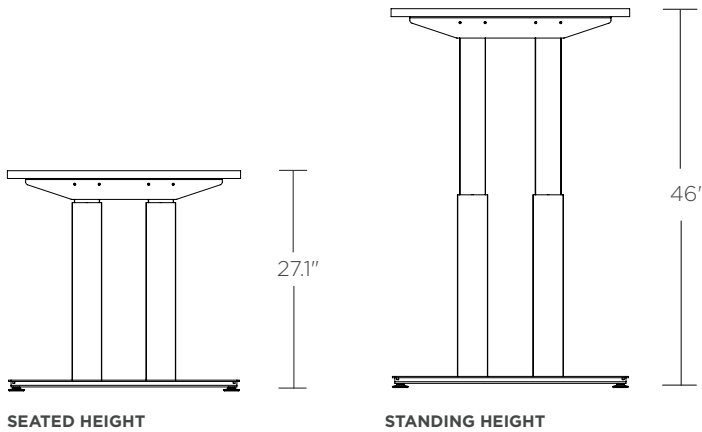


Included LogicDATA hand switch

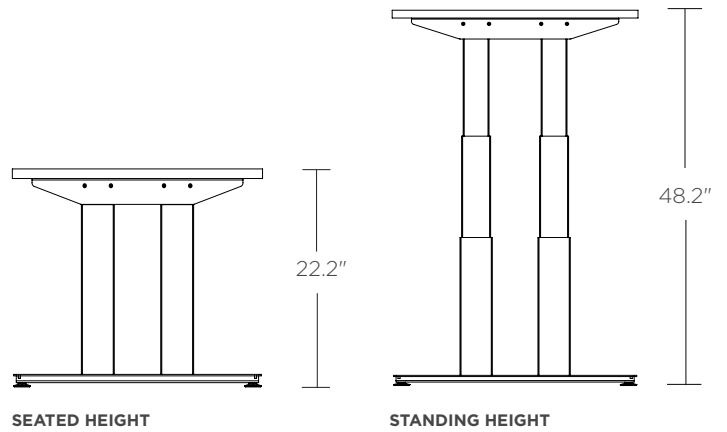
VERTEX PRO/4

MADE IN MICHIGAN • GSA COMPLIANT

MID-RANGE HEIGHT SPECS

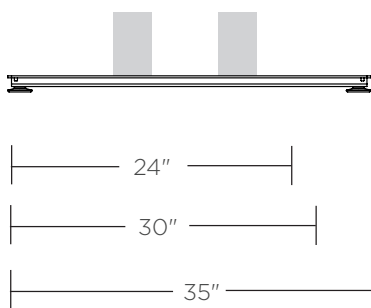


EXTENDED-RANGE HEIGHT SPECS



* All measurements indicated include a 1" top

FOOT SIZES



* Top supports are 25.3" for 30" and 32" for 35" foot sizes

FRAME CHANNEL SPECS

- Frame widths from 36" to 90"
(Specify your top size and we ship the correct frame width)
- 150+ custom colors are available

