

# VERTEX 2T/C

MADE IN MICHIGAN • GSA COMPLIANT



The Vertex 2-Leg has been one of the most popular high end 2-leg frames in the contract furniture market for the past decade. Utilizing Bosch motors, LogicDATA electronics, and heavy gauge carbon steel provides a premium standing desk experience not found with imported bases from Asia. Custom color options are available at no additional cost or lead time, so definitely pick your favorite!

## FEATURES

- Dual motor
- Intuitive adjustment controller
- 4x Height memory preset
- Weight Capacity: 225lbs
- Fixed Frame (different sizes available)

## DIMENSIONS

Fixed frame (36"-90")

## WEIGHT

Desk frame: 90lbs

## POWER

110v - 240v

## HEIGHT ADJUSTMENT

Mid-Range height range: 27" to 46"  
(Includes 1" work surface)

Extended height range: 22" to 50"  
(Includes 1" work surface)

Speed: 1.5" / second

Noise: <50db

## MAXIMUM LOAD

225lbs

## FINISHES



150+ Custom Options available

## MATERIALS

Powder coated steel

## WARRANTY

20-year limited warranty

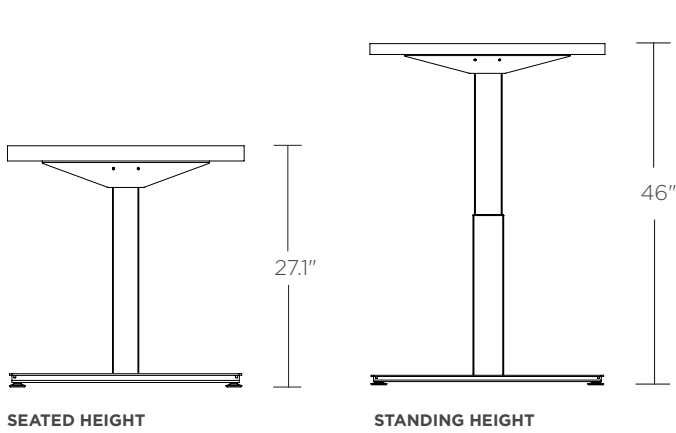


Included LogicDATA hand switch

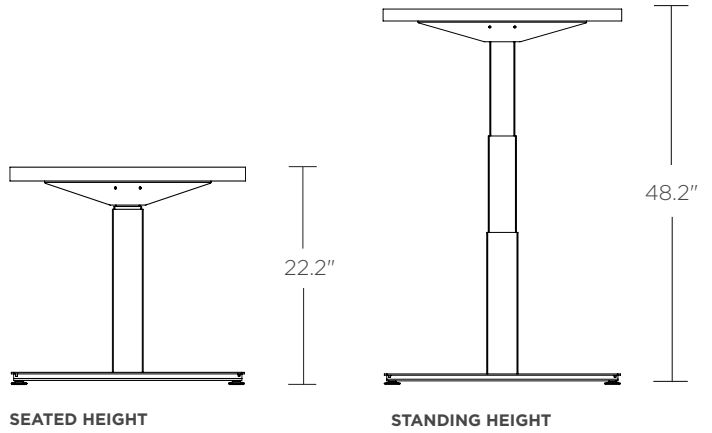
# VERTEX 2T/C

MADE IN MICHIGAN • GSA COMPLIANT

## MID-RANGE HEIGHT SPECS



## EXTENDED-RANGE HEIGHT SPECS



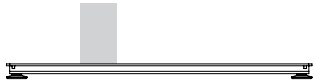
\* All measurements indicated include a 1" top

## FOOT OPTIONS

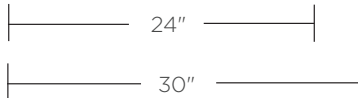
- Standard T-leg



- Optional C-leg (requires lead time)

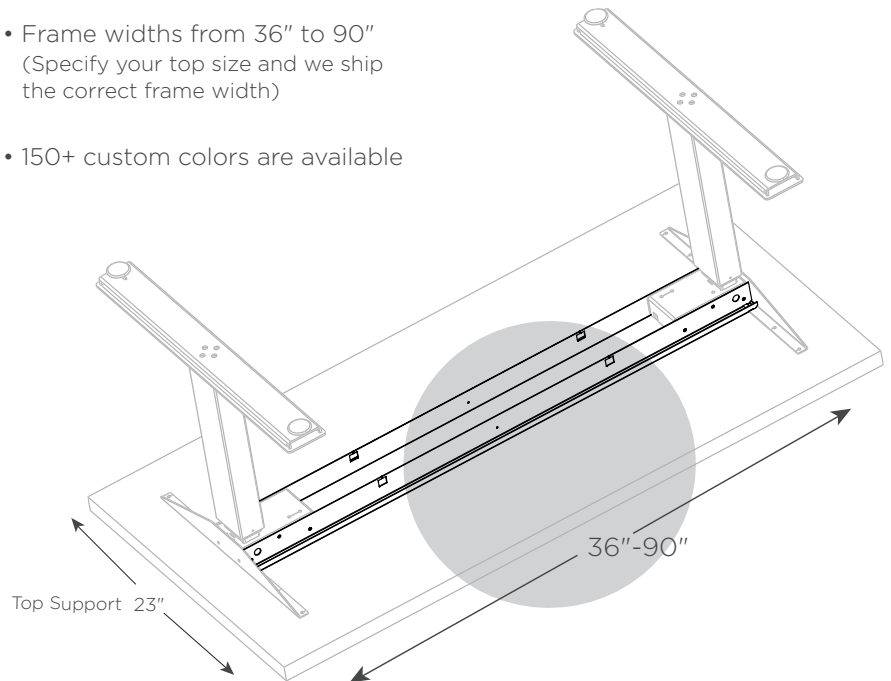


## FOOT SIZES



## FRAME CHANNEL SPECS

- Frame widths from 36" to 90"  
(Specify your top size and we ship the correct frame width)
- 150+ custom colors are available



Updated 12/2022