

APEX PROMAX

MADE IN MICHIGAN • GSA COMPLIANT



Even best sellers can be improved on, the Apex Pro Max takes the stability of the standard Apex Pro and takes it to the Max. Custom fabricated legs and crossbars ensure that the Apex Pro Max is a stability monster!

FEATURES

- Extended height range: 22.5" to 48.5"
- Quad motor
- 3 handset options available
- Auto safety collision sensor
- 600 lbs lifting capacity
- 3 available frame widths
- Can accommodate M8 thread casters

TOP SPECS FOR FRAME SIZES

- 60" Frame - min. 58" top (2 inch overhang)
- 72" Frame - min. 72" top (2 inch overhang)
- 84" Frame - min. 84" top (2 inch overhang)

WEIGHT

140 lbs

POWER

110v - 240v

HEIGHT ADJUSTMENT

- Min height: 22.5"
- Max height: 48.5"
- Speed: 1.5" / second
- Noise: <50db

MAXIMUM LOAD

600 lbs

FINISHES



MATERIALS

Powder coated steel

WARRANTY

20-year limited warranty

HAND SWITCH OPTIONS



Up/Down



Programmable Bluetooth



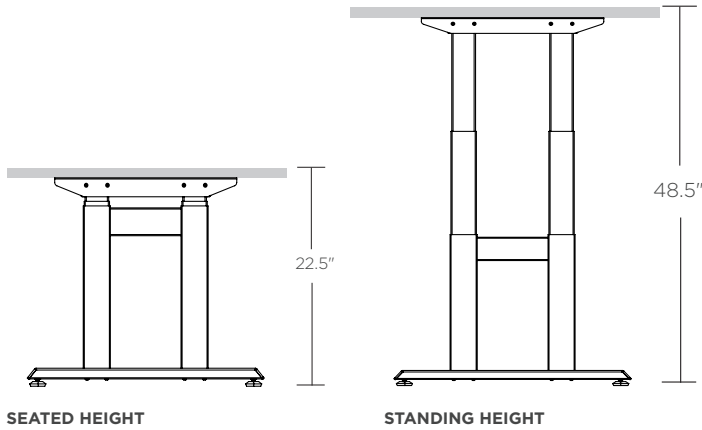
Smart Paddle

* Please see individual hand switch spec sheets for more information

APEX PROMAX

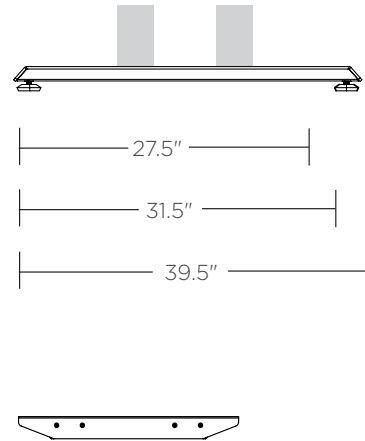
MADE IN MICHIGAN • GSA COMPLIANT

EXTENDED-RANGE HEIGHT SPECS



* All measurements indicated include a 1" top

FOOT SIZES



* Top supports are 29.5" for 31.5"-39.5" foot sizes

CROSS BAR SPECS

- Long cross bar lengths 50.4", 64.3" and 76.4"
- Short cross bar length 8.1875"

