

APEX PROMAX/6

MADE IN MICHIGAN • GSA COMPLIANT



Even best sellers can be improved on, the Apex Pro Max 6-Leg takes the stability of the standard Apex Pro 6-Leg and takes it to the Max. Custom fabricated legs and crossbars ensure that the Apex Pro Max 6-leg the stability monster perfect for L-shaped desks

FEATURES

- Extended height range: 22.5" to 48.5"
- Six motor
- 3 handset options available
- Auto Safety Collision sensor
- 600 lbs lifting capacity
- Can accommodate M8 thread casters

FIXED FRAME

Fixed frame (60", 72" and 84")

WEIGHT

190 lbs

POWER

110v - 240v

HEIGHT ADJUSTMENT

Min height: 22.5"
Max height: 48.5"
Speed: 1.5" / second
Noise: <50db

MAXIMUM LOAD

600 lbs

FINISHES



BLACK WHITE SILVER

MATERIALS

Powder coated steel

WARRANTY

20-year limited warranty

HAND SWITCH OPTIONS



Up/Down



Programmable Bluetooth



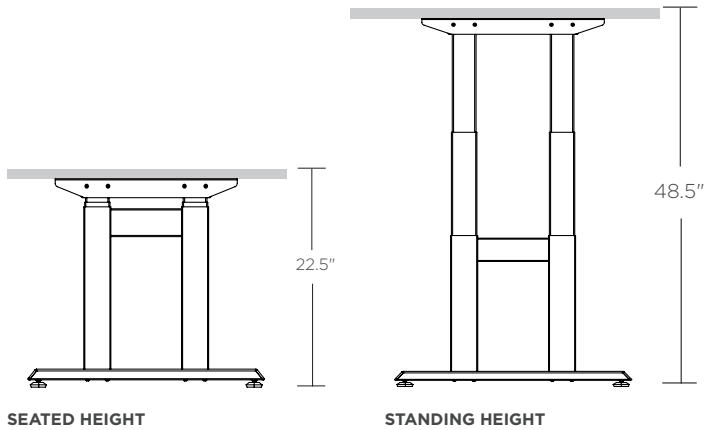
Smart Paddle

* Please see individual hand switch spec sheets for more information

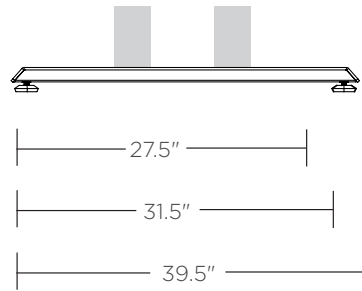
APEX PROMAX/6

MADE IN MICHIGAN • GSA COMPLIANT

EXTENDED-RANGE HEIGHT SPECS



FOOT SIZES



SEATED HEIGHT

STANDING HEIGHT

* All measurements indicated include a 1" top

* Top supports are 29.5" for 31.5"-39.5" foot sizes

CHANNEL SPECS

- Fixed widths of 60", 72" and 84"
(84" requires additional 15 business days)
- Extended corner is free floating, if you have a two piece top you will need to order the anti-sag bar to connect the two top pieces.

CROSS BAR SPECS

- Long cross bar lengths 50.4", 64.3" and 76.4"
- Short cross bar length 8.1875"

