

APEX PRO/6

MADE IN MICHIGAN • GSA COMPLIANT



Building on the Apex 3-Leg, the Apex Pro 6-Leg doubles the legs for more than double the stability. The Apex Pro has been the go-to frame for everyone seeking a better L-shaped standing desk experience. No 3-leg comes close to the stability of the Apex Pro 6-Leg!

FEATURES

- Extended height range: 22.5" to 48.5"
- Six motor
- 3 handset options available
- Auto Safety Collision sensor
- 600 lbs lifting capacity
- Adjustable width frame
- Can accommodate M8 thread casters

ADJUSTABLE FRAME

Adjustable width fits tops from 43" to 80"
Extended corner can be a maximum of 72"

*please contact help@desk.haus if you have questions about a larger size

WEIGHT

170 lbs

POWER

110v - 240v

HEIGHT ADJUSTMENT

Min height: 22.5"
Max height: 48.5"
Speed: 1.5" / second
Noise: <50db

MAXIMUM LOAD

600 lbs

FINISHES



BLACK

WHITE

SILVER

MATERIALS

Powder coated steel

WARRANTY

20-year limited warranty

HAND SWITCH OPTIONS



Up/Down



Programmable Bluetooth



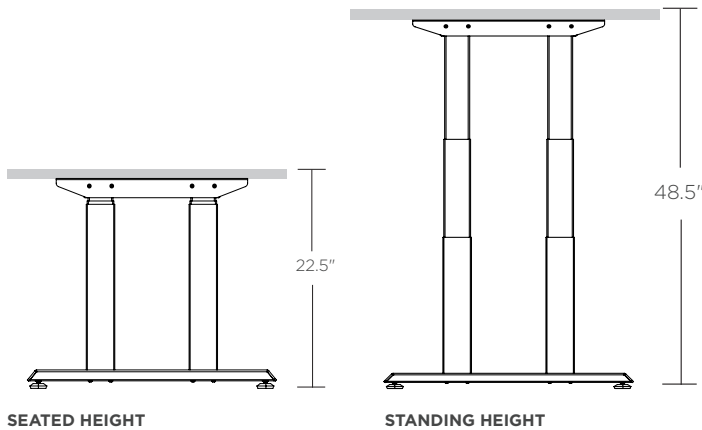
Smart Paddle

* Please see individual hand switch spec sheets for more information

APEX PRO/6

MADE IN MICHIGAN • GSA COMPLIANT

EXTENDED-RANGE HEIGHT SPECS

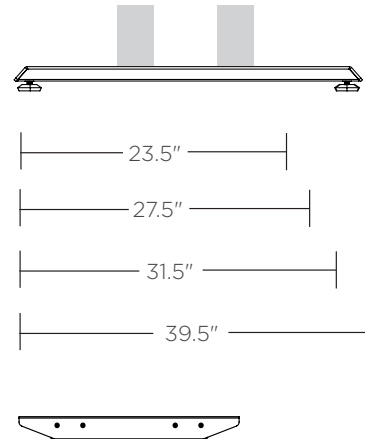


SEATED HEIGHT

STANDING HEIGHT

* All measurements indicated include a 1" top

FOOT SIZES



* Top supports are 29.5" for 31.5"-39.5" foot sizes

COLLAPSING CHANNEL SPECS

- Adjustable width from 43" to 72"
- Allows for a range of work surface widths
- Removing the center adjustable rails will allow you to use this frame with a surface down to 40"
- Extended rails can be ordered if you have a top larger than 80"
- Extended corner is free floating, if you have a two piece top you will need to order the anti-sag bar to connect the two top pieces.

