

# APEX PRO/4

MADE IN MICHIGAN • GSA COMPLIANT



**Building on the Apex 2-Leg, the Apex Pro doubles the legs for more than double the stability. The Apex Pro has been the go-to frame for everyone seeking a better standing desk experience. No 2-leg comes close to the stability of the Apex Pro!**

## FEATURES

- Extended height range: 22.5" to 48.5"
- Quad motor
- 3 handset options available
- Auto safety collision sensor
- 600 lbs lifting capacity
- Adjustable width frame
- Can accommodate M8 thread casters
- Simplified assembly

## ADJUSTABLE FRAME

Adjustable width fits tops from 43" to 80"

## WEIGHT

115 lbs

## POWER

110v - 240v

## HEIGHT ADJUSTMENT

Min height: 22.5"  
Max height: 48.5"  
Speed: 1.5" / second  
Noise: <50db

## MAXIMUM LOAD

600 lbs

## FINISHES



## MATERIALS

Powder coated steel

## WARRANTY

20-year limited warranty

## HAND SWITCH OPTIONS



Up/Down



Programmable Bluetooth



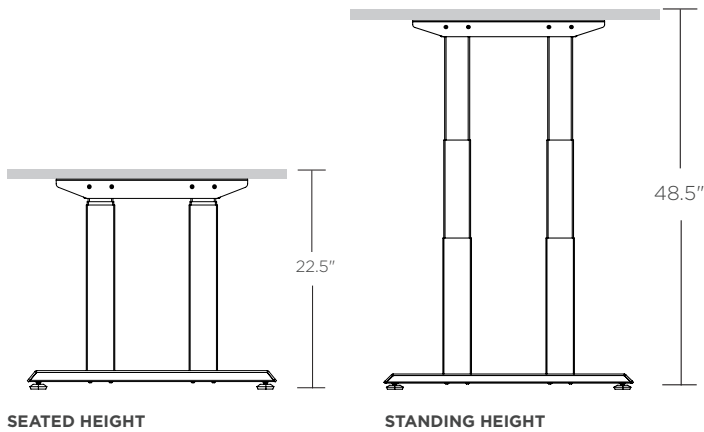
Smart Paddle

\* Please see individual hand switch spec sheets for more information

# APEX PRO/4

MADE IN MICHIGAN • GSA COMPLIANT

## EXTENDED-RANGE HEIGHT SPECS

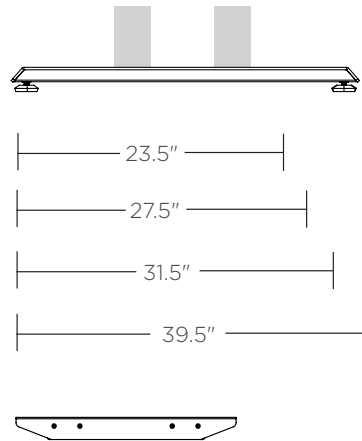


SEATED HEIGHT

STANDING HEIGHT

\* All measurements indicated include a 1" top

## FOOT SIZES



\* Top supports are 29.5" for 31.5"-39.5" foot sizes

## COLLAPSING CHANNEL SPECS

- Adjustable width from 43" to 72"
- Allows for a range of work surface widths
- Removing the center adjustable rails will allow you to use this frame with a surface down to 40"
- Extended rails can be ordered if you have a top larger than 80"

