

APEX /2

MADE IN MICHIGAN • GSA COMPLIANT



One of the most commonly found frames in corporate offices. Apex 2-leg has all the standard features you would expect from a standing desk. Our standard model includes features that are optional from our competitors.

FEATURES

- Extended height range: 22.5" to 48.5"
- (Optional) Mid range heights: 27.2" to 46.9"
- Dual motor
- 3 handset options available
- Auto safety collision sensor
- 300 lbs lifting capacity
- Adjustable width frame
- Can accommodate M8 thread casters
- Simplified assembly

ADJUSTABLE FRAME

Adjustable width fits tops from 43" to 80"

WEIGHT

Desk frame: 66 lbs

POWER

110v - 240v

HEIGHT ADJUSTMENT

Min height: 22.5"
Max height: 48.5"
Speed: 1.5" / second
Noise: <50db

MAXIMUM LOAD

300 lbs

FINISHES



MATERIALS

Powder coated steel

WARRANTY

20-year limited warranty

HAND SWITCH OPTIONS



Up/Down



Programmable Bluetooth



Smart Paddle

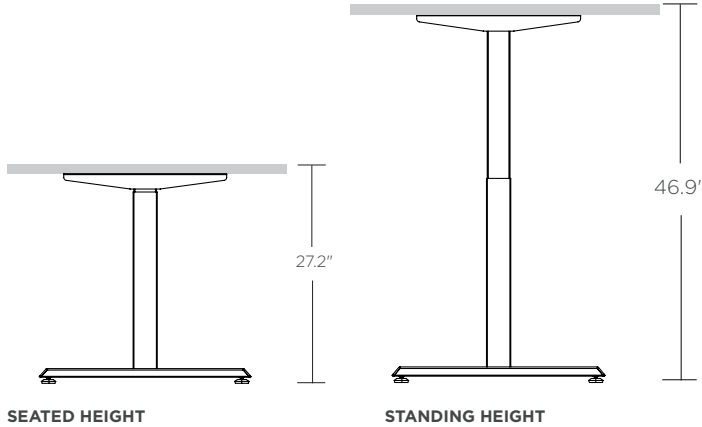
* Please see individual hand switch spec sheets for more information

APEX /2

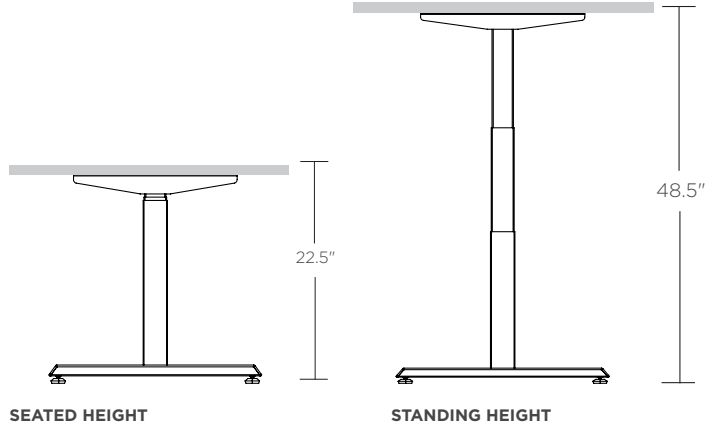
MADE IN MICHIGAN • GSA COMPLIANT

MID-RANGE HEIGHT SPECS

• Optional (requires lead time)



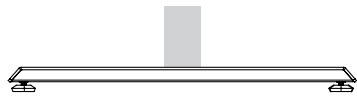
EXTENDED-RANGE HEIGHT SPECS



* All measurements indicated include a 1" top

FOOT OPTIONS

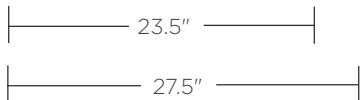
• Standard T-leg



• Optional C-leg (requires lead time)



FOOT SIZES



COLLAPSING CHANNEL SPECS

- Adjustable width from 43" to 72"
- Allows for a range of work surface widths
- Removing the center adjustable rails will allow you to use this frame with a surface down to 40"
- Extended rails can be ordered if you have a top larger than 80"

