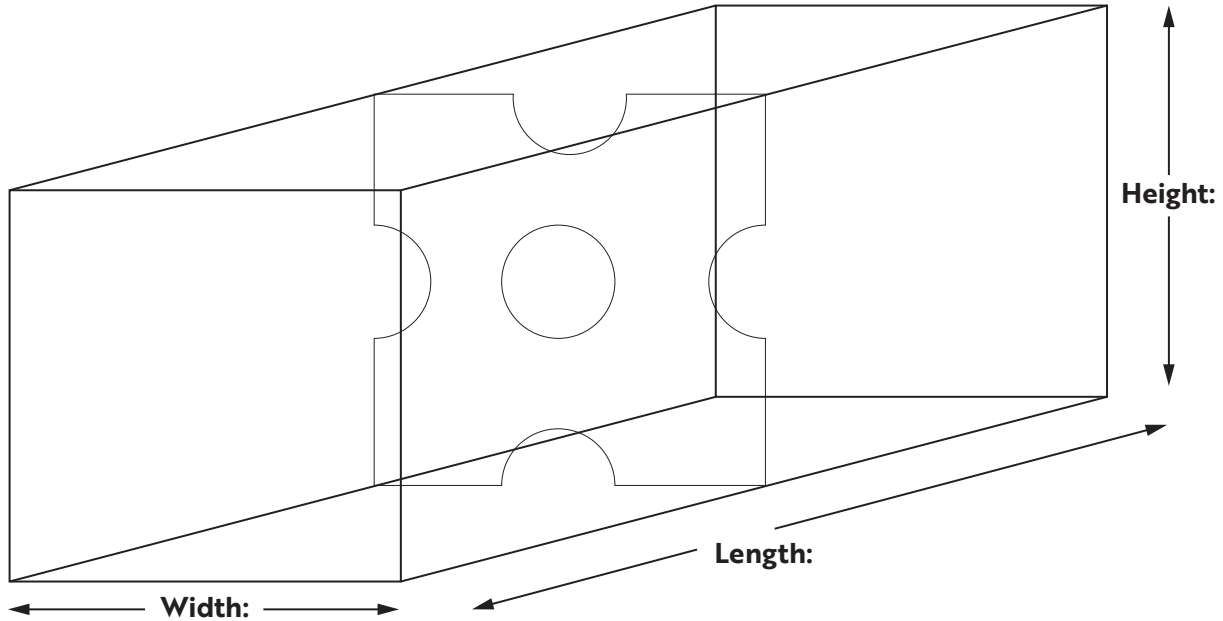
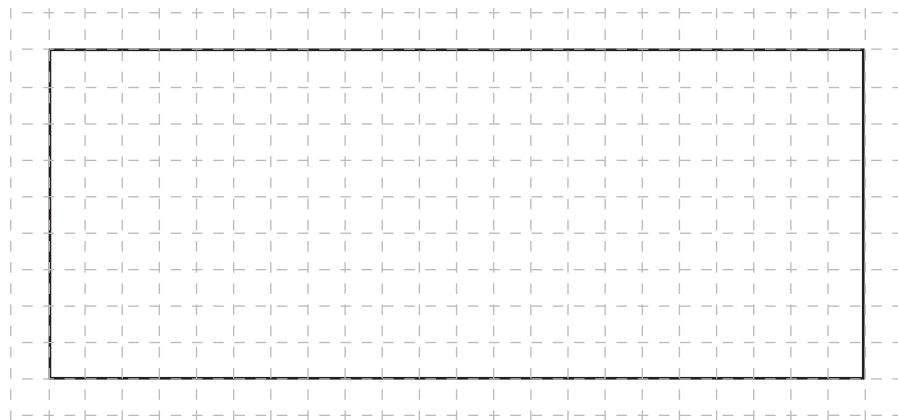


**ALUMINUM TANK QUOTE REQUEST - DIMENSIONS
RECTANGULAR SHAPE**



**Please Draw &
Indicate
distance from
sides of Pickups,
Vents and Sender**



Additional Info: