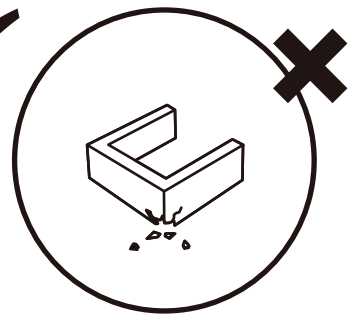
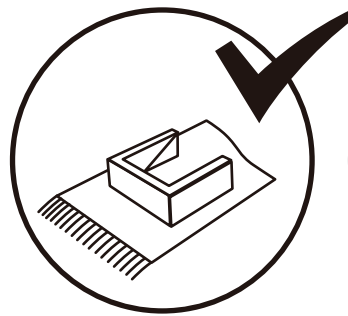
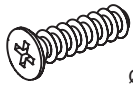


# DIDION

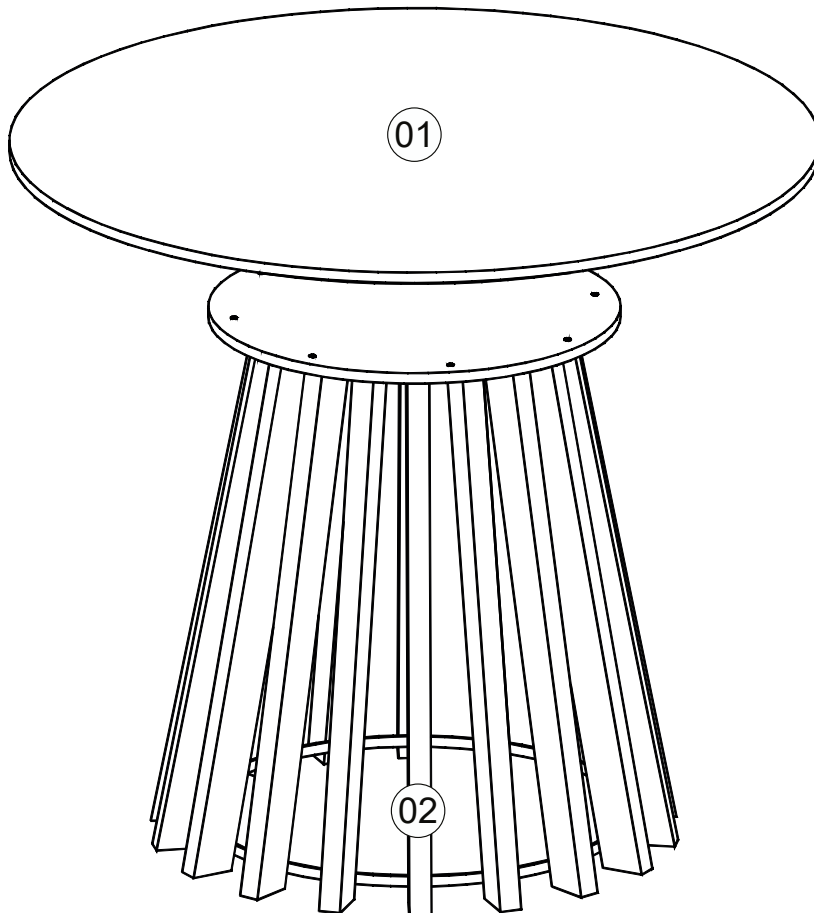


**A**

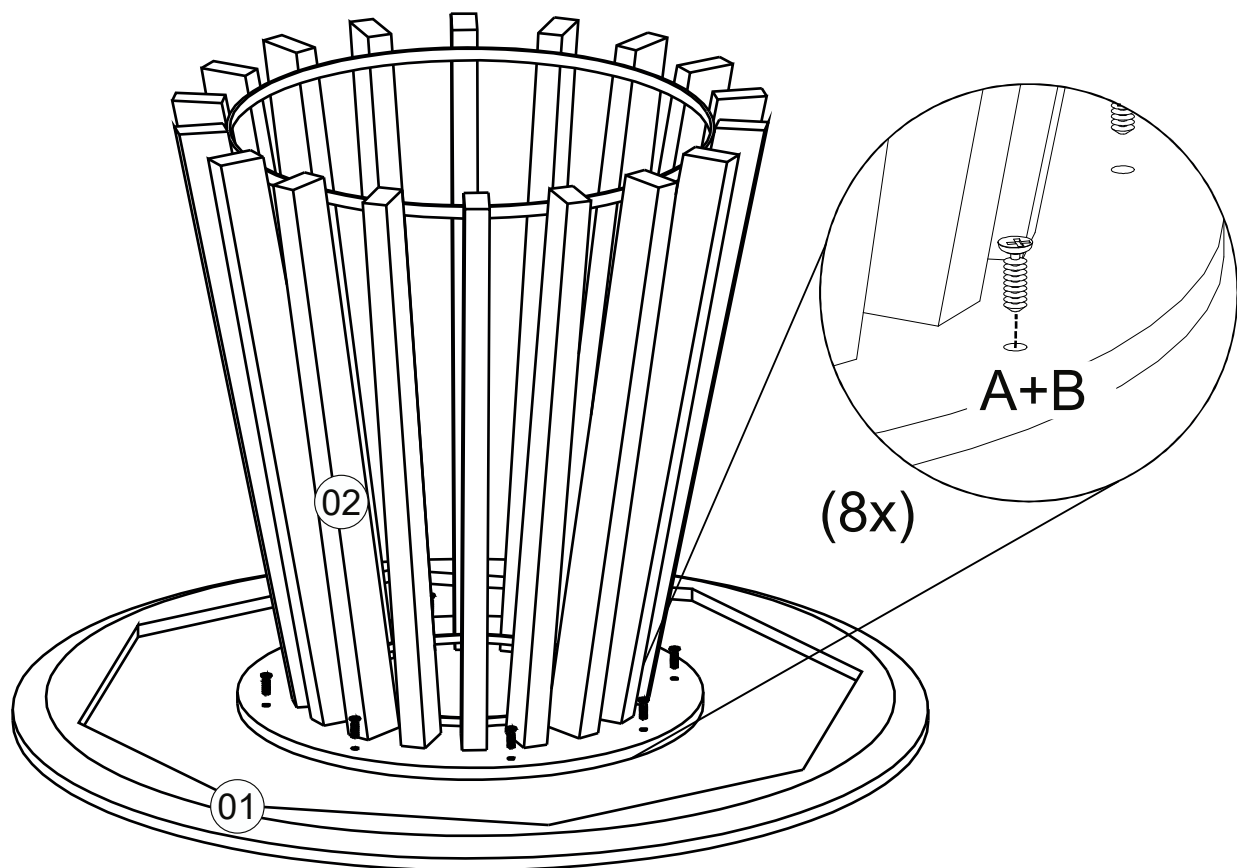


Ø8,0x25mm

**08**



01



A



08

