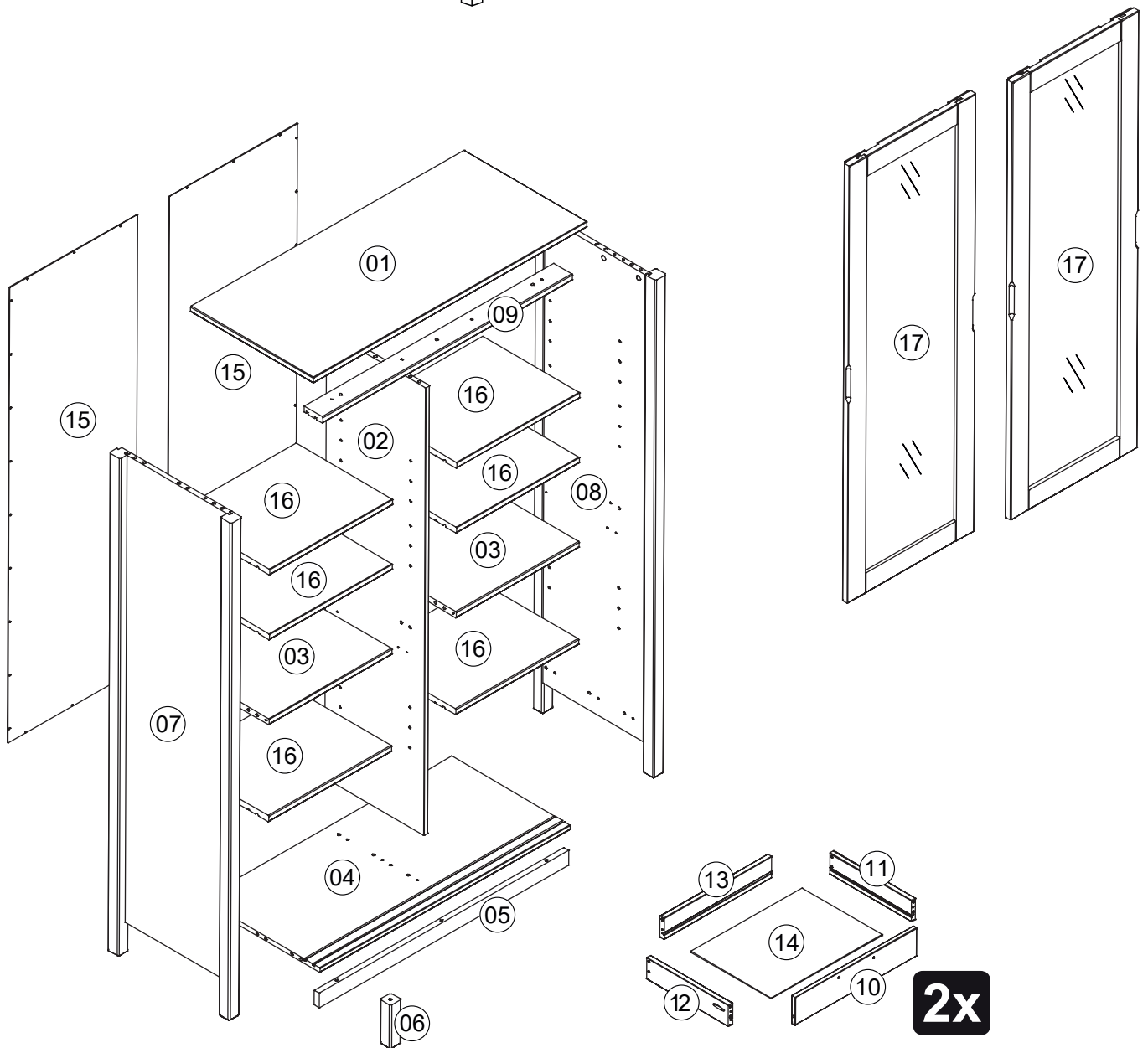
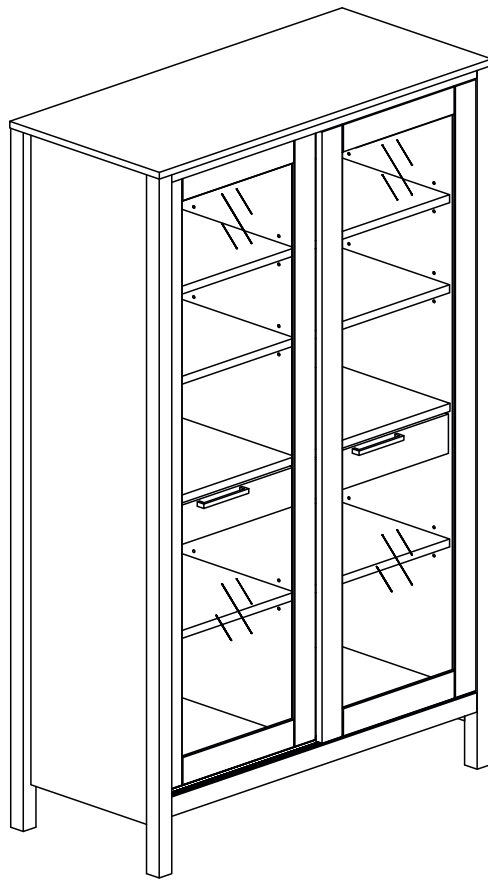
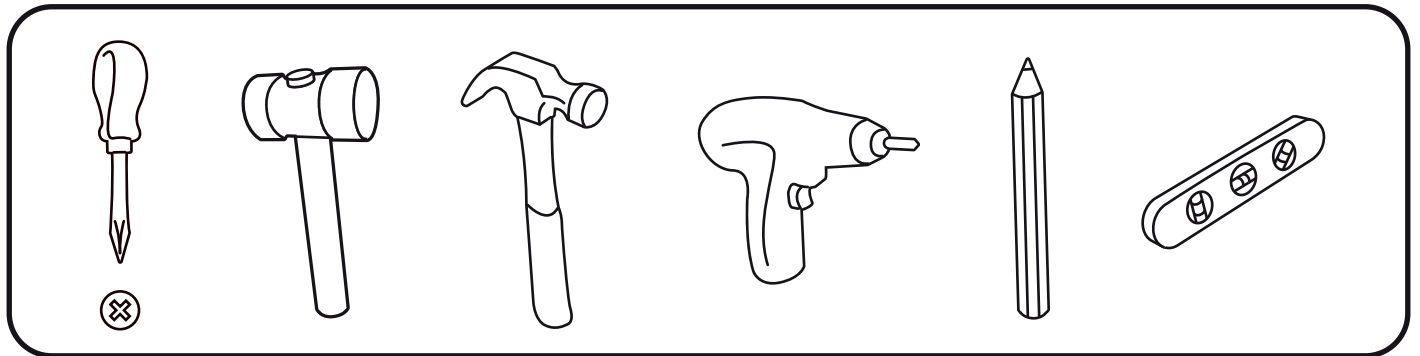
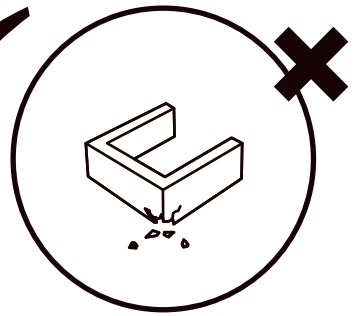
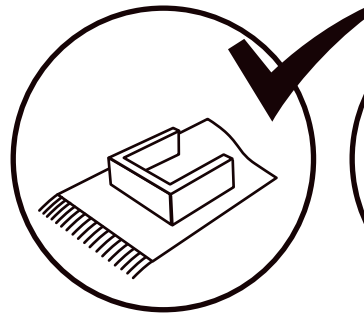
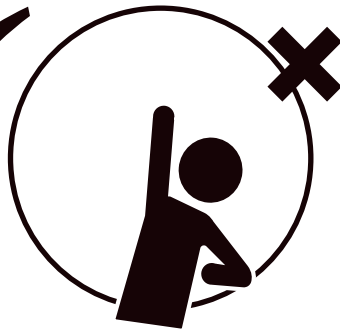




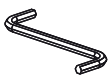
SoHo







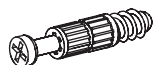
A	 Ø8,0x25mm	29
----------	--------------------------------------------------------------------------------------------------	----


B	 Ø6,0x25mm	12
----------	--------------------------------------------------------------------------------------------------	----

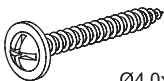
C		01
----------	-------------------------------------------------------------------------------------	----

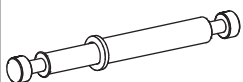
D	 Ø3,5x16mm	56
----------	--------------------------------------------------------------------------------------------------	----

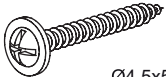
E	 Ø3,5x14mm	20
----------	--------------------------------------------------------------------------------------------------	----

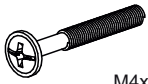
F		22
----------	-------------------------------------------------------------------------------------	----

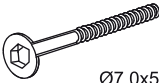
G		26
----------	-------------------------------------------------------------------------------------	----

H	 Ø4,0x30mm	15
----------	--------------------------------------------------------------------------------------------------	----


I		02
----------	-------------------------------------------------------------------------------------	----


J	 Ø4,5x50mm	02
----------	--------------------------------------------------------------------------------------------------	----


K	 M4x25mm	04
----------	------------------------------------------------------------------------------------------------	----


L	 Ø7,0x50mm	01
----------	--------------------------------------------------------------------------------------------------	----


M	 mm	01
----------	-------------------------------------------------------------------------------------------	----

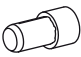
N		02
----------	-------------------------------------------------------------------------------------	----


O		01
----------	-------------------------------------------------------------------------------------	----

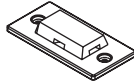
P		08
----------	-------------------------------------------------------------------------------------	----

Q	 300mm	02
----------	----------------------------------------------------------------------------------------------	----

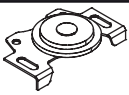
R	 300mm	02
----------	----------------------------------------------------------------------------------------------	----

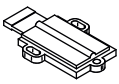
S		24
----------	---------------------------------------------------------------------------------------	----


T	 8,0mm	02
----------	------------------------------------------------------------------------------------------------	----

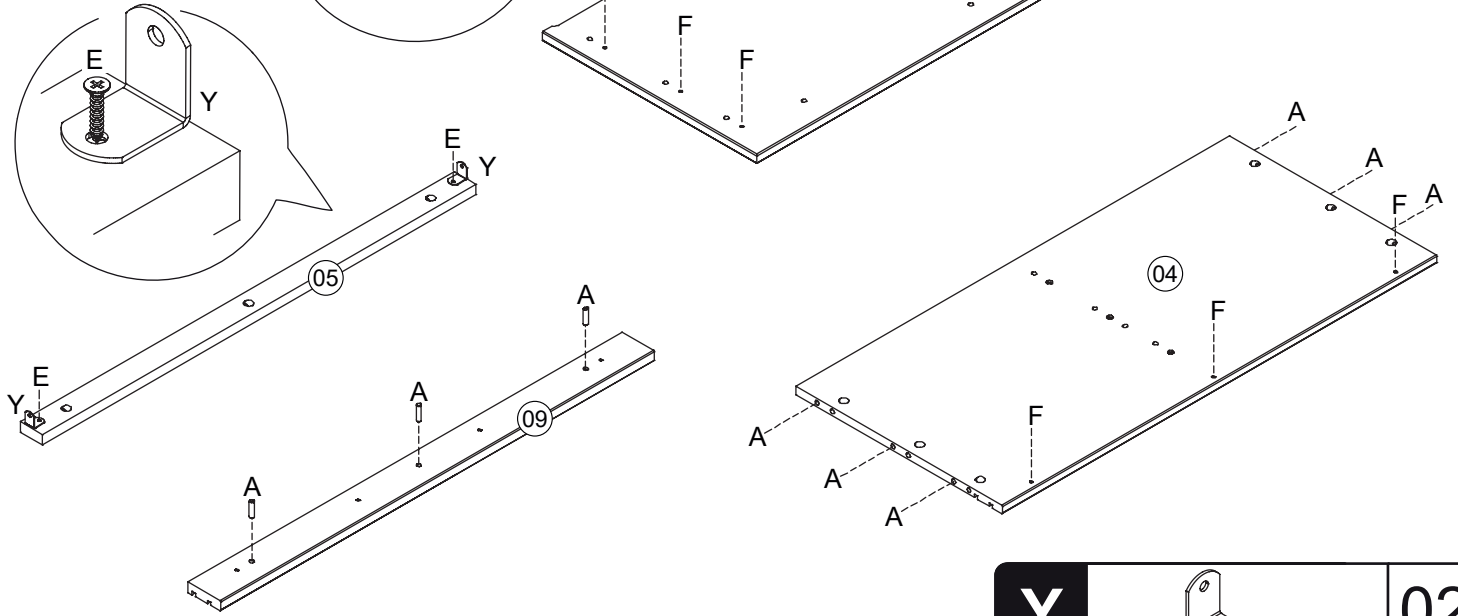
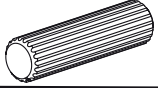
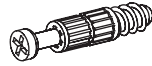
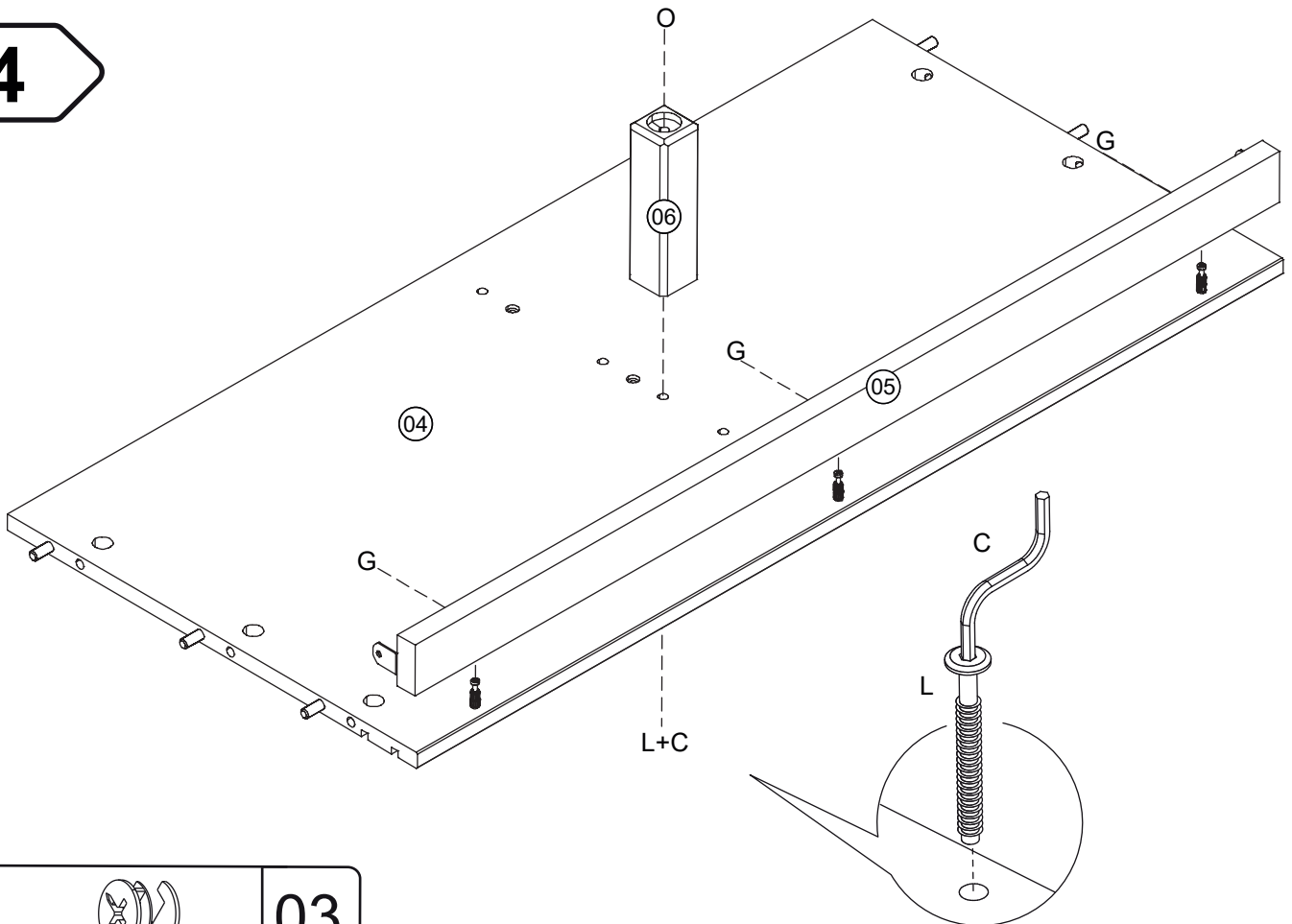
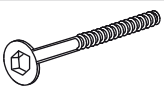
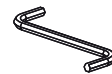
U		02
----------	---------------------------------------------------------------------------------------	----

V		01
----------	---------------------------------------------------------------------------------------	----

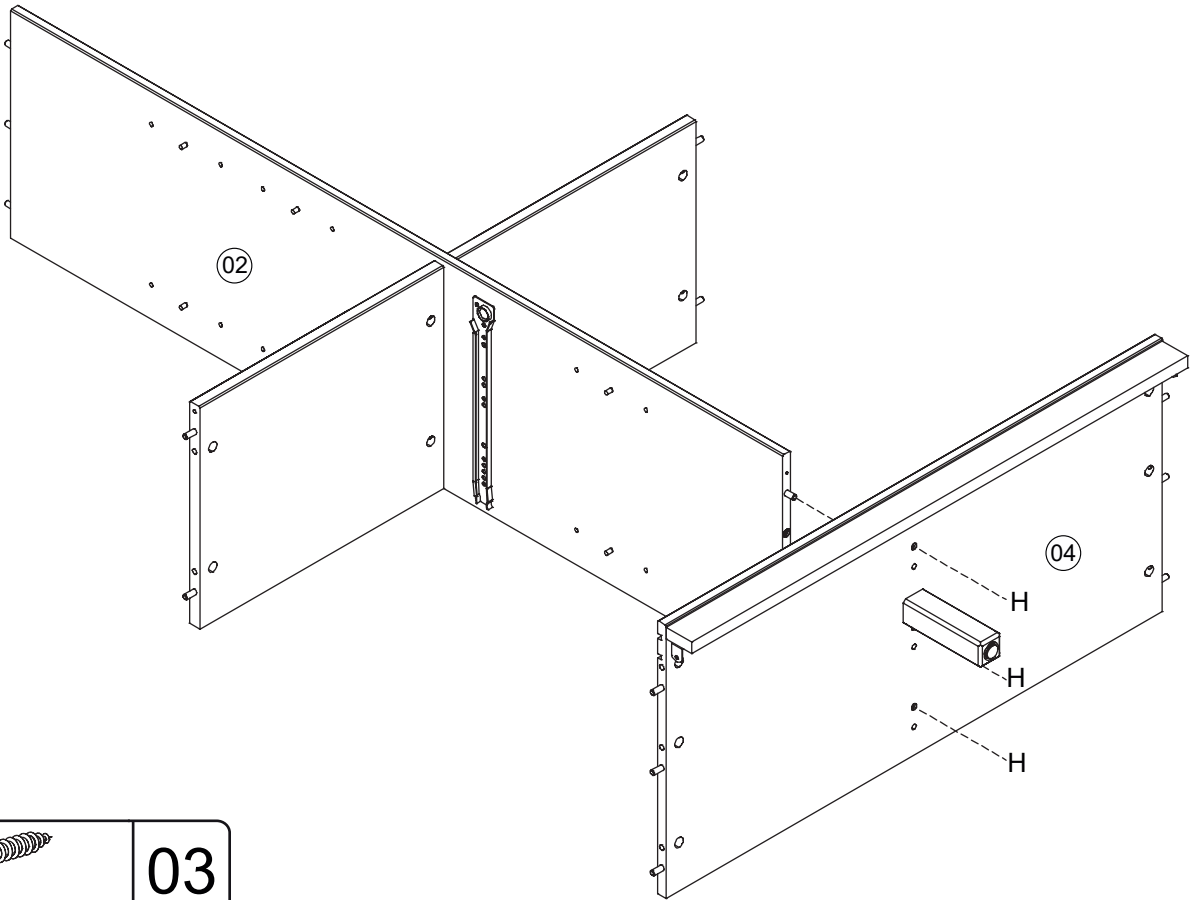
W		04
----------	---------------------------------------------------------------------------------------	----

X		04
----------	---------------------------------------------------------------------------------------	----

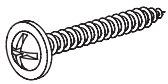
Y		02
----------	---------------------------------------------------------------------------------------	----

03**Y****02****A****09****F****12****E****02****04****G****03****L****01****O****01****C****01**

05

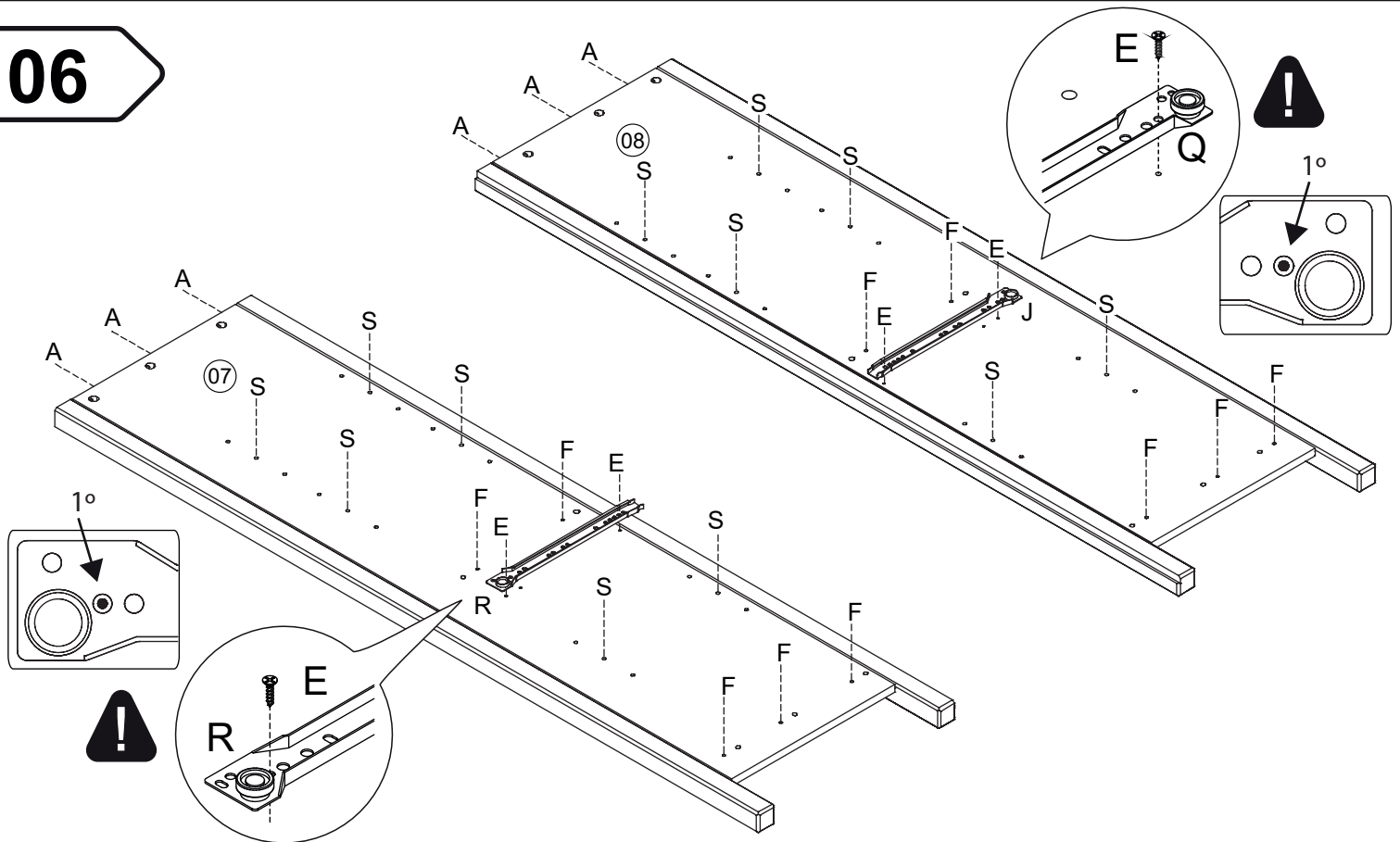


H



03

06



R



01

Q



01

S



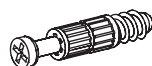
12

A



06

F



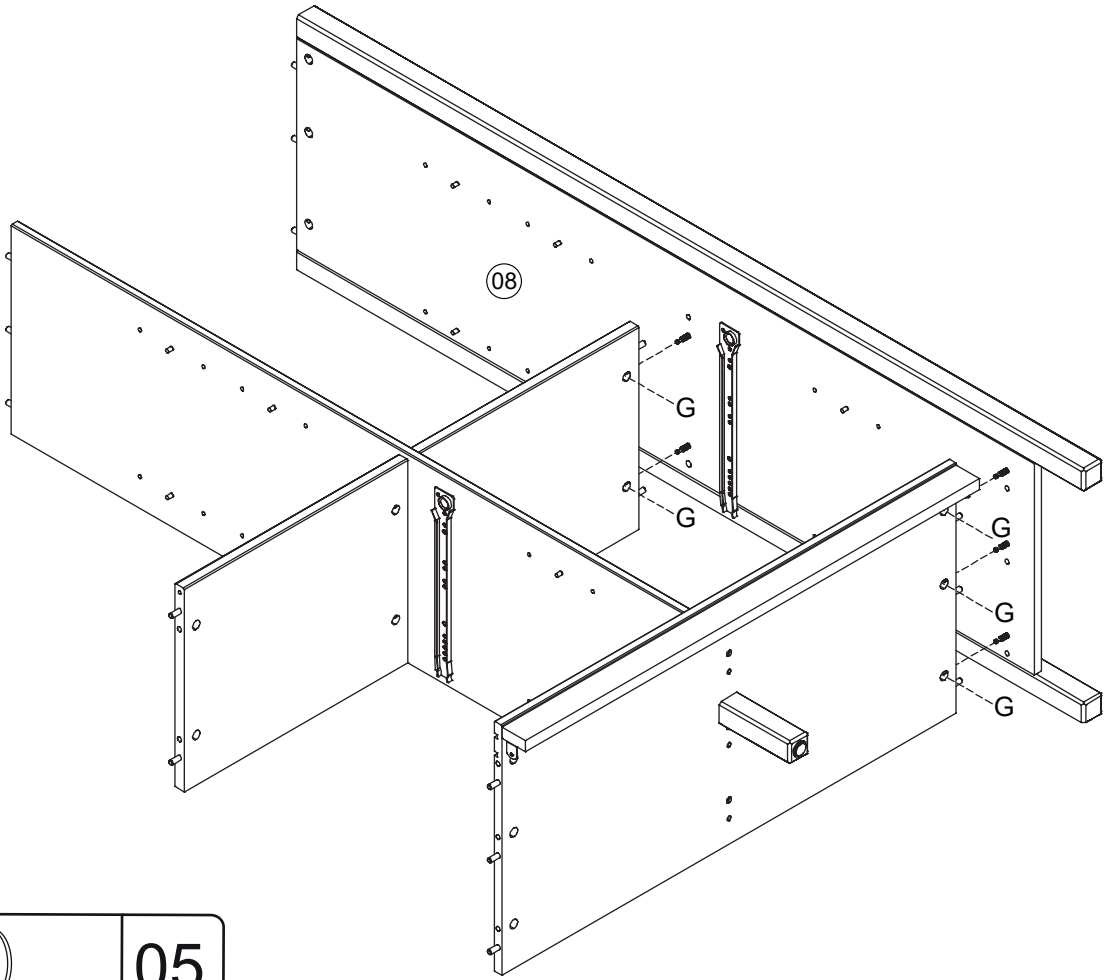
10


E



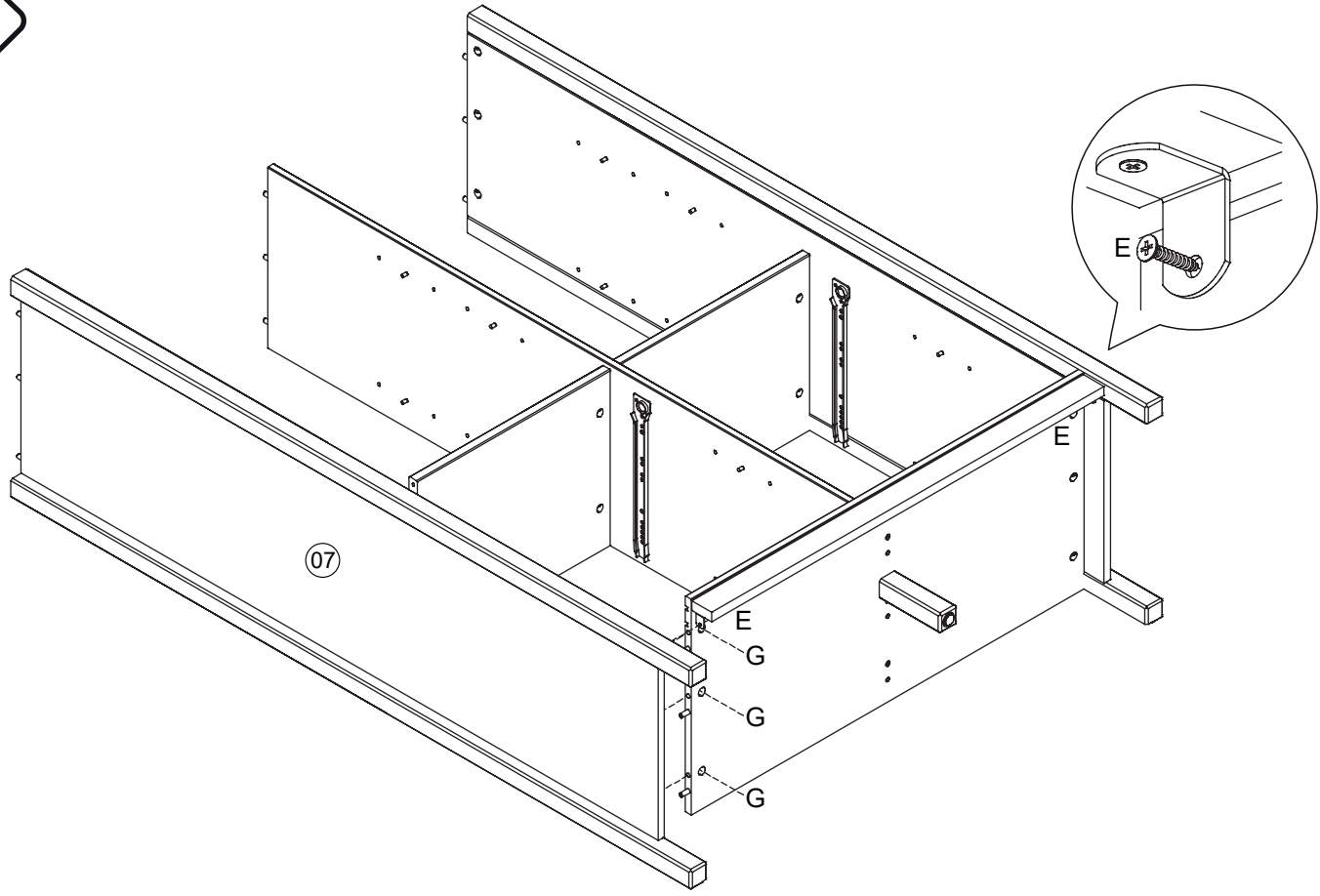
04

07



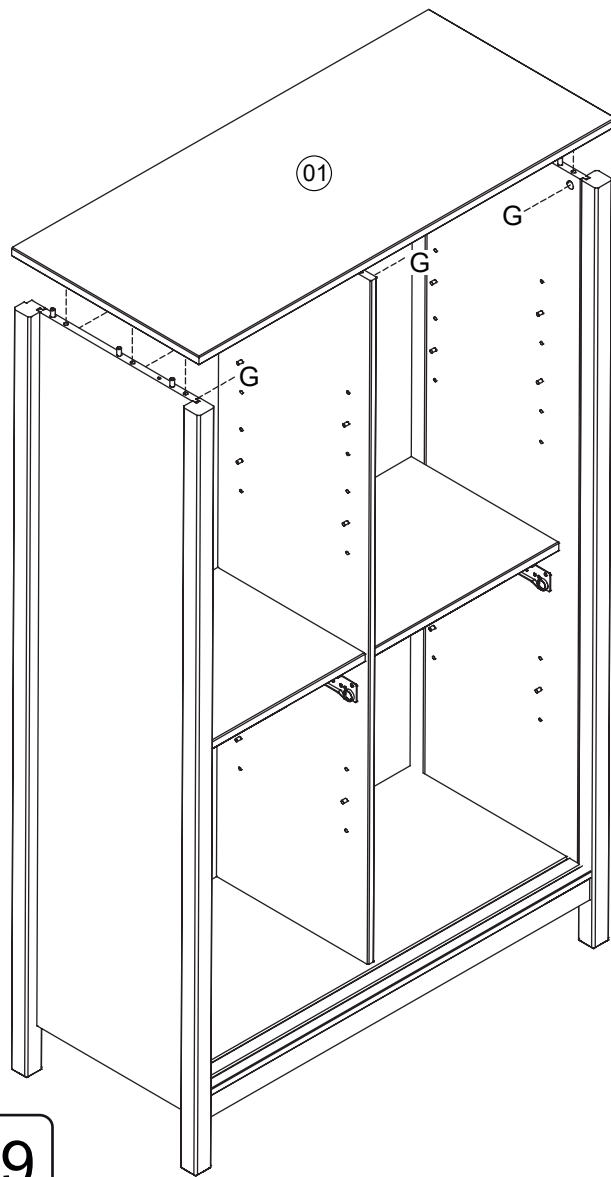
G		05
----------	-------------------------------------------------------------------------------------	----

08



G		05	E		02
----------	-------------------------------------------------------------------------------------	----	----------	-------------------------------------------------------------------------------------	----

09

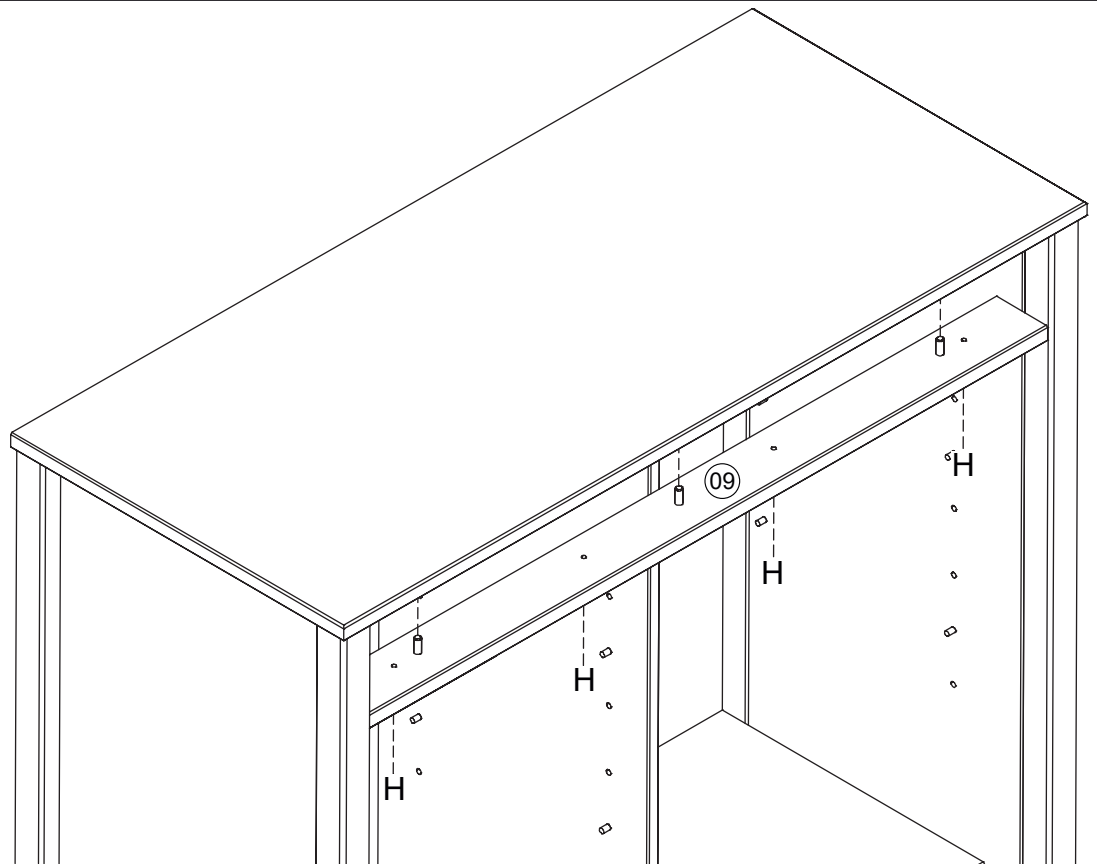


G

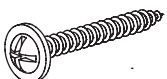


09

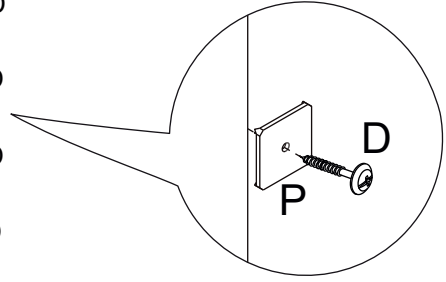
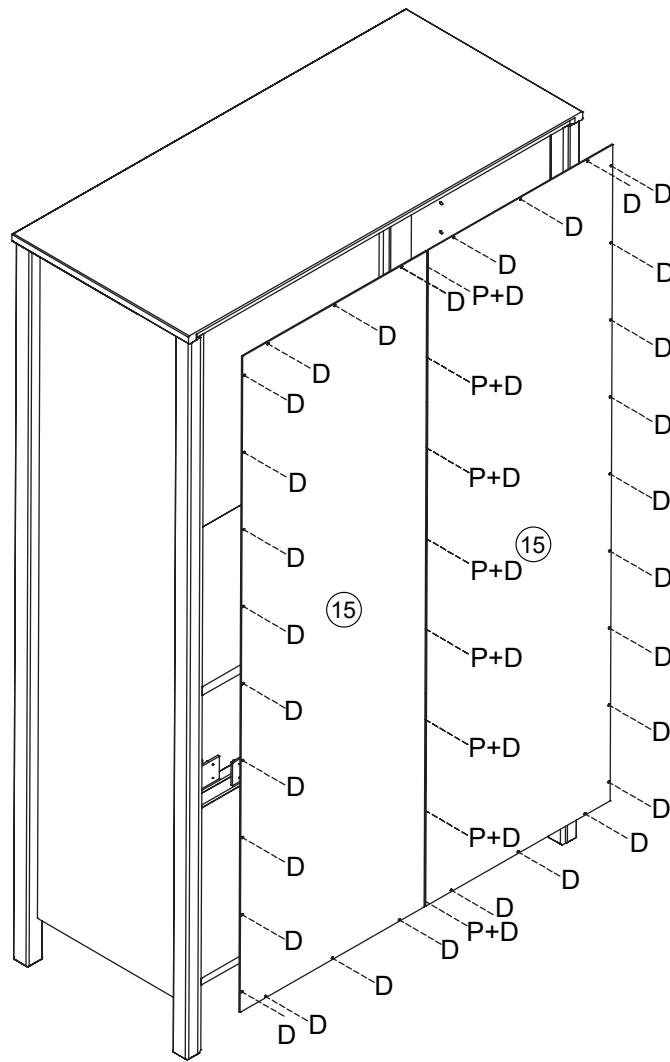
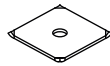
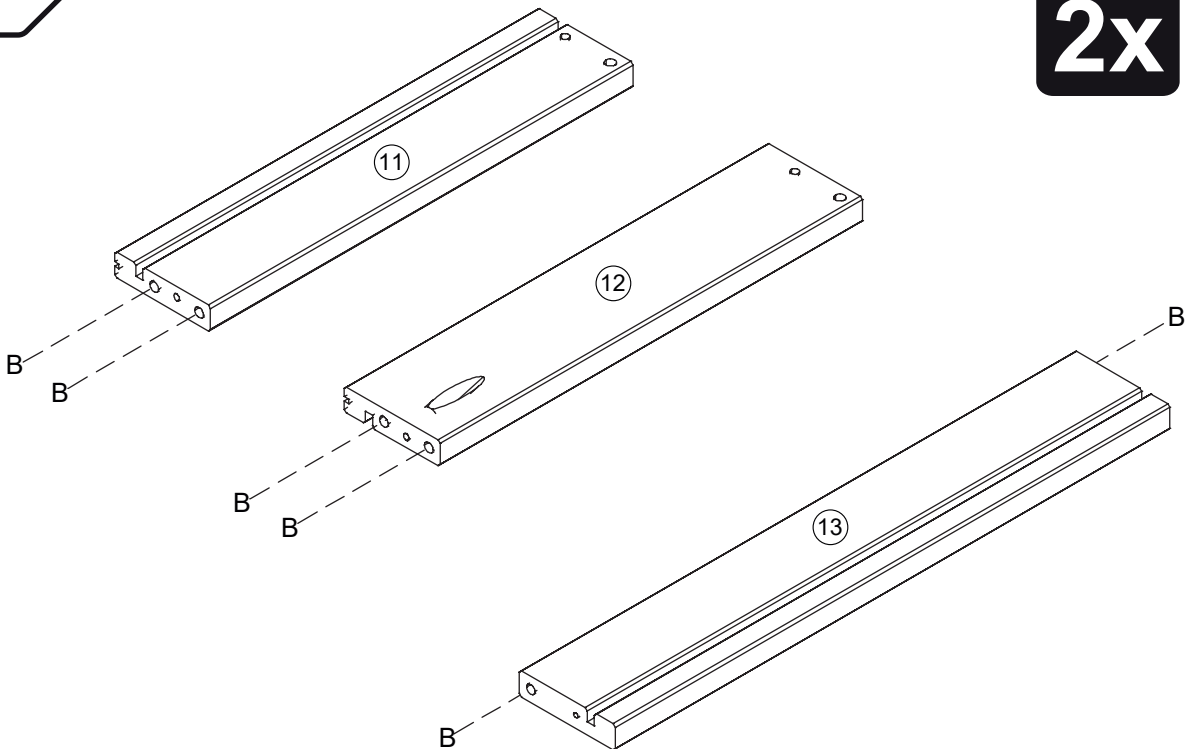
10

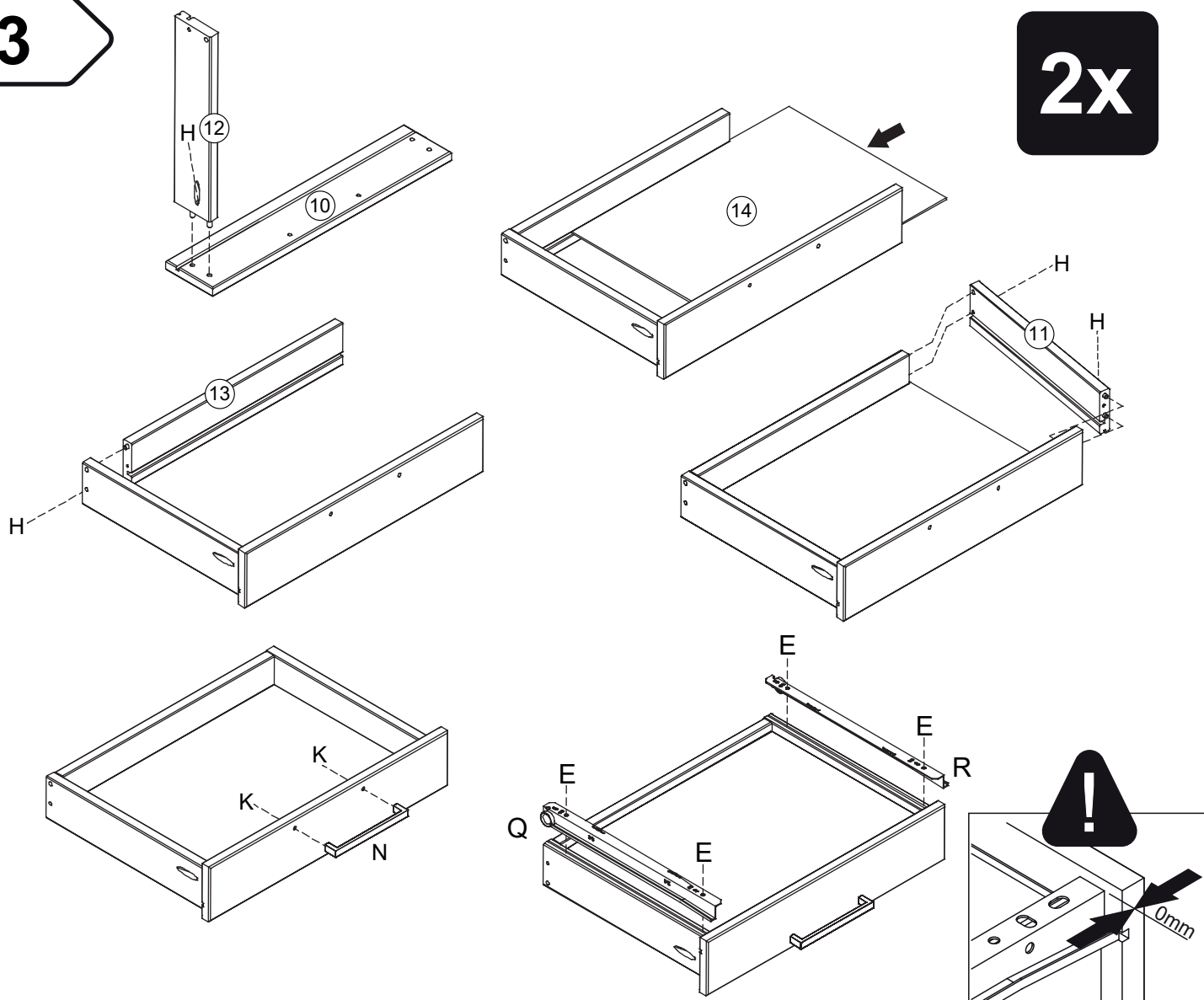
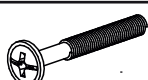
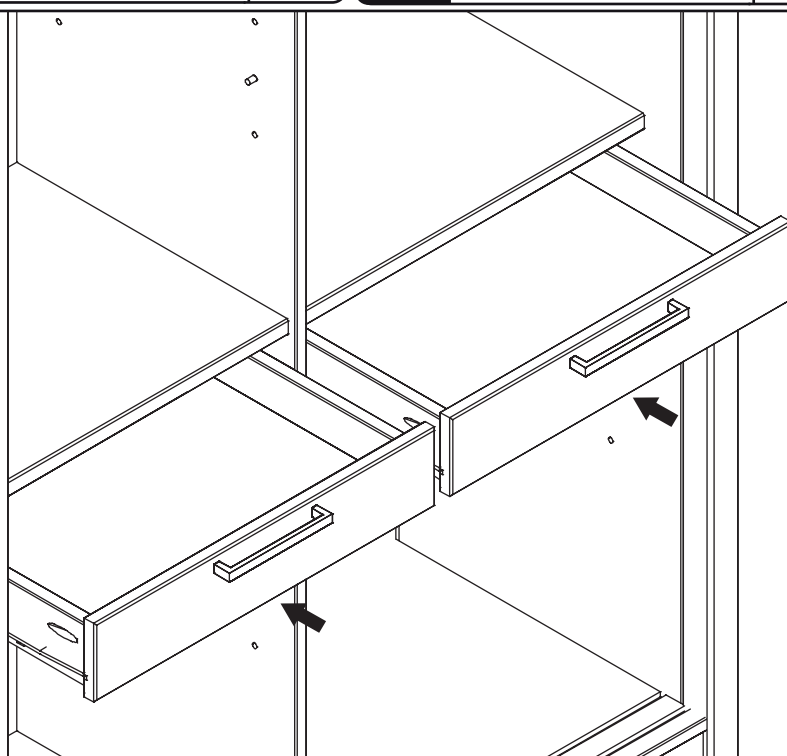


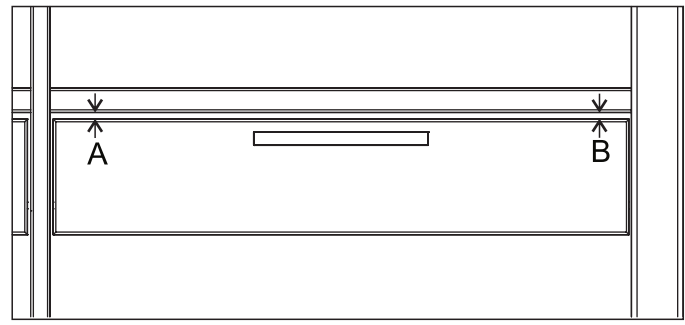
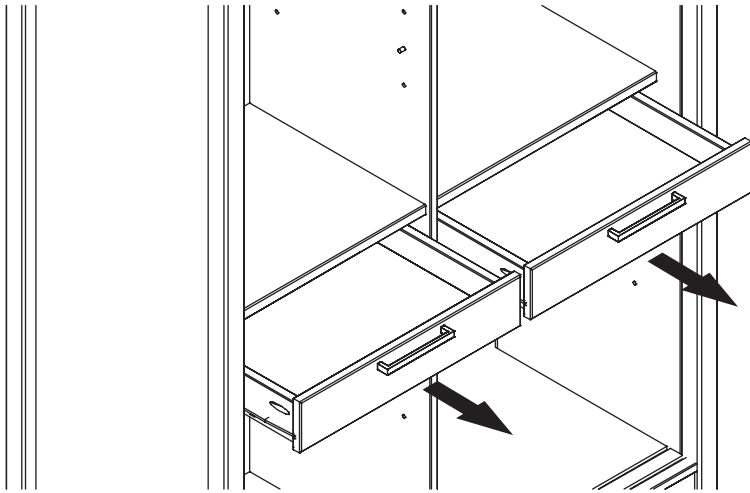
H



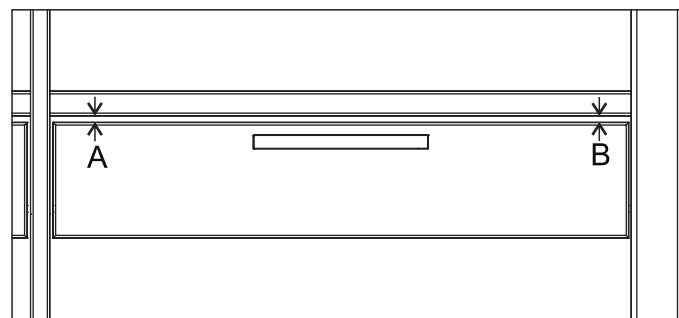
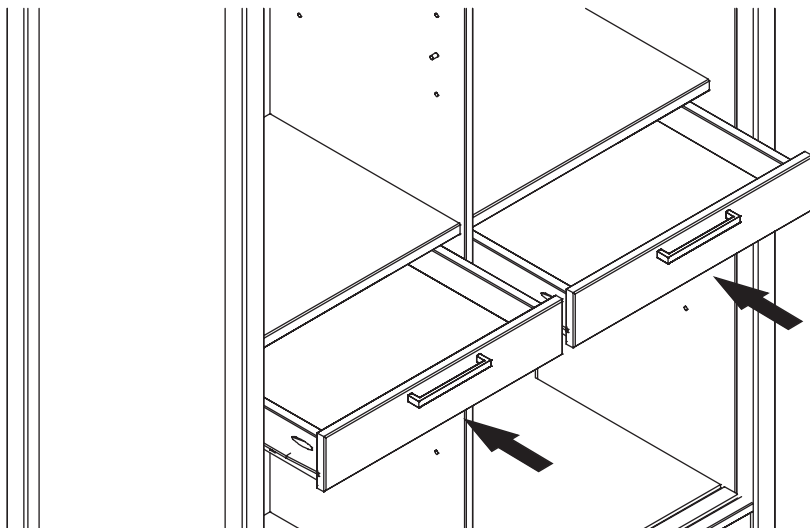
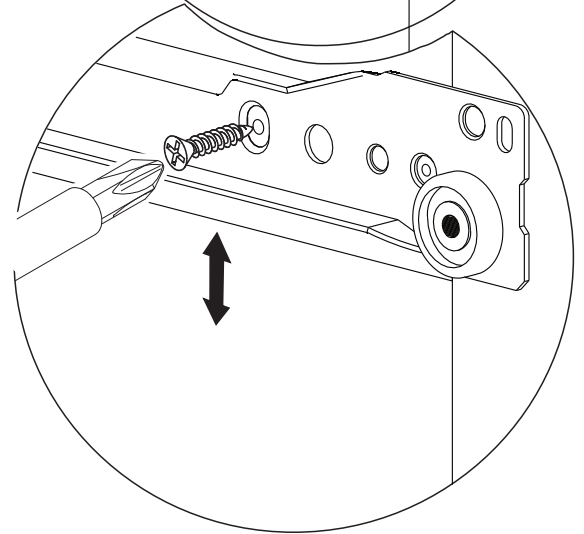
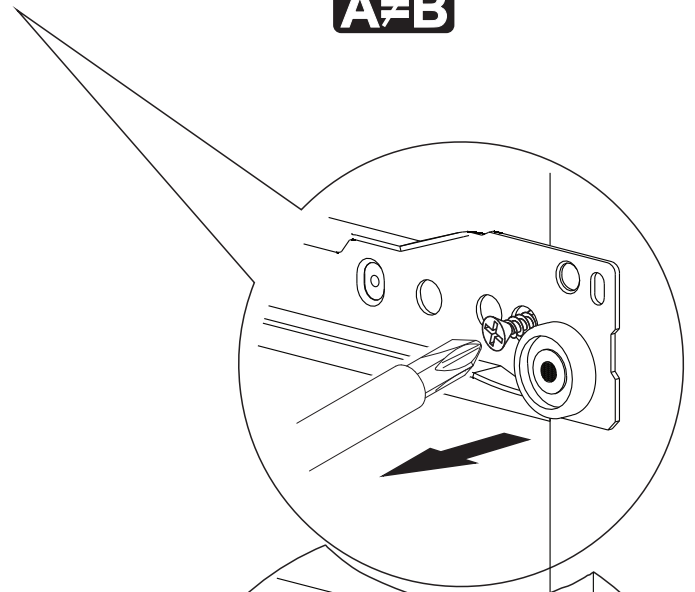
04

11**D****38****P****08****12****2x****B****12**

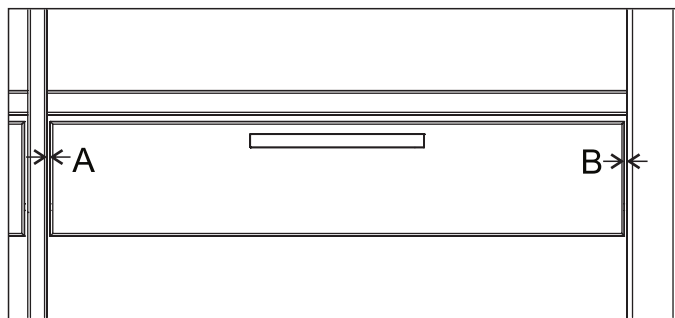
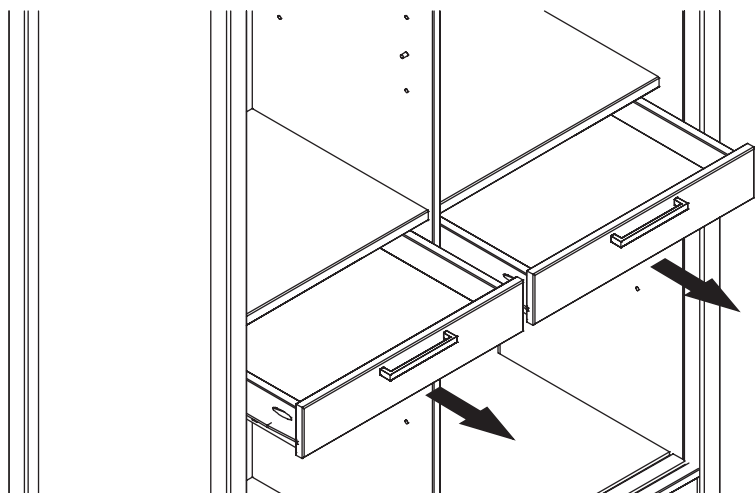
13**2x****Q****02****R****02****E****08****H****08****K****04****N****02****14**



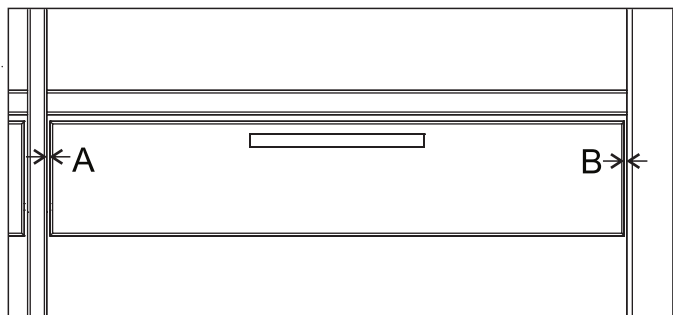
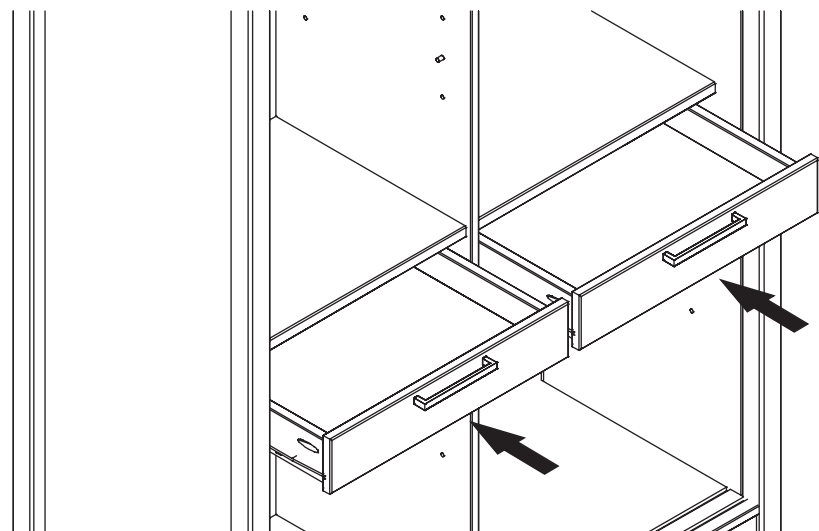
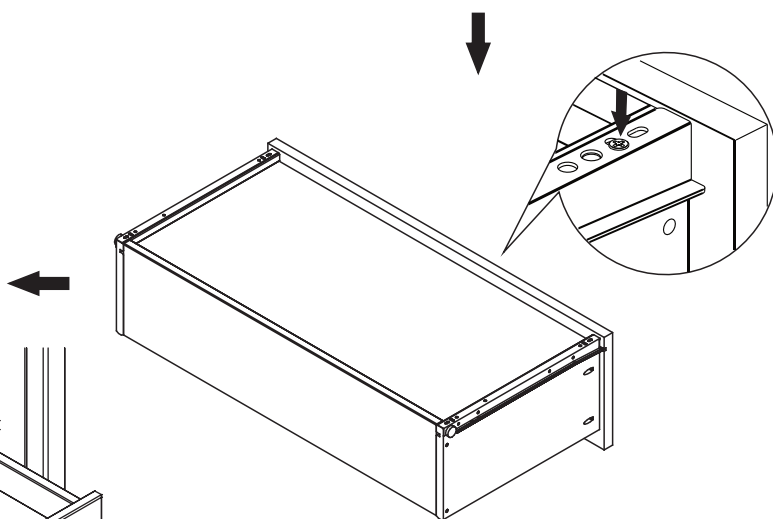
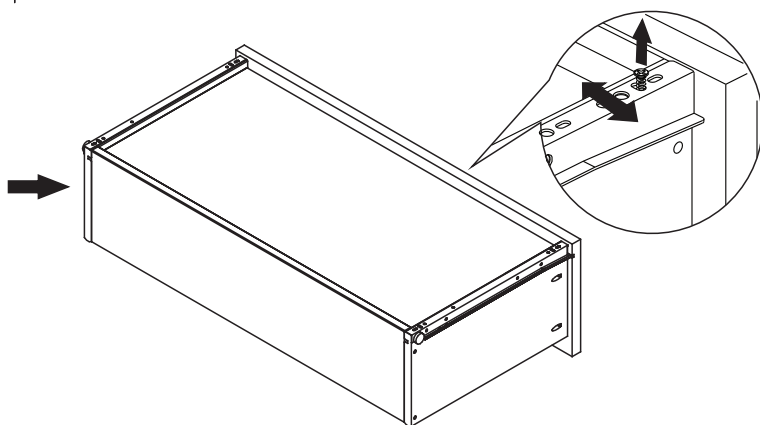
A≠B



A=B

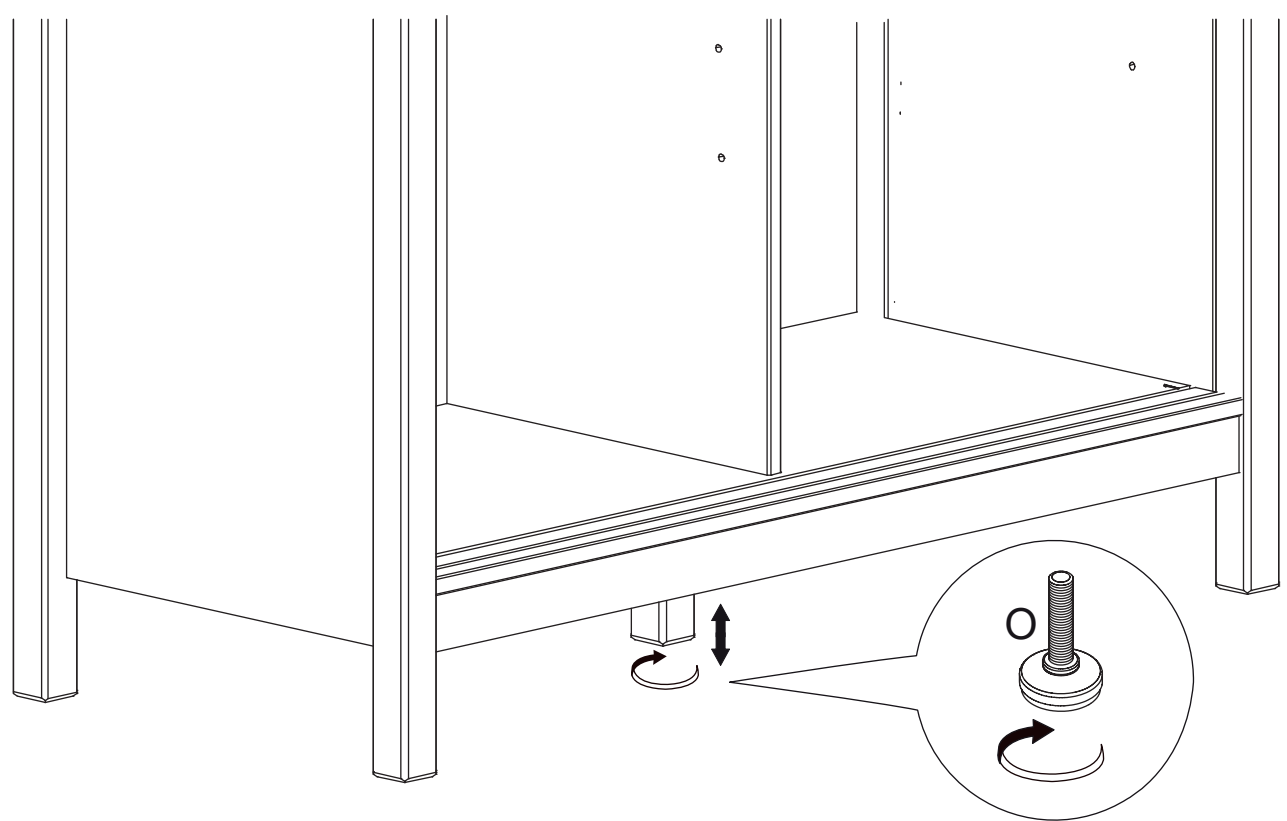


A≠B

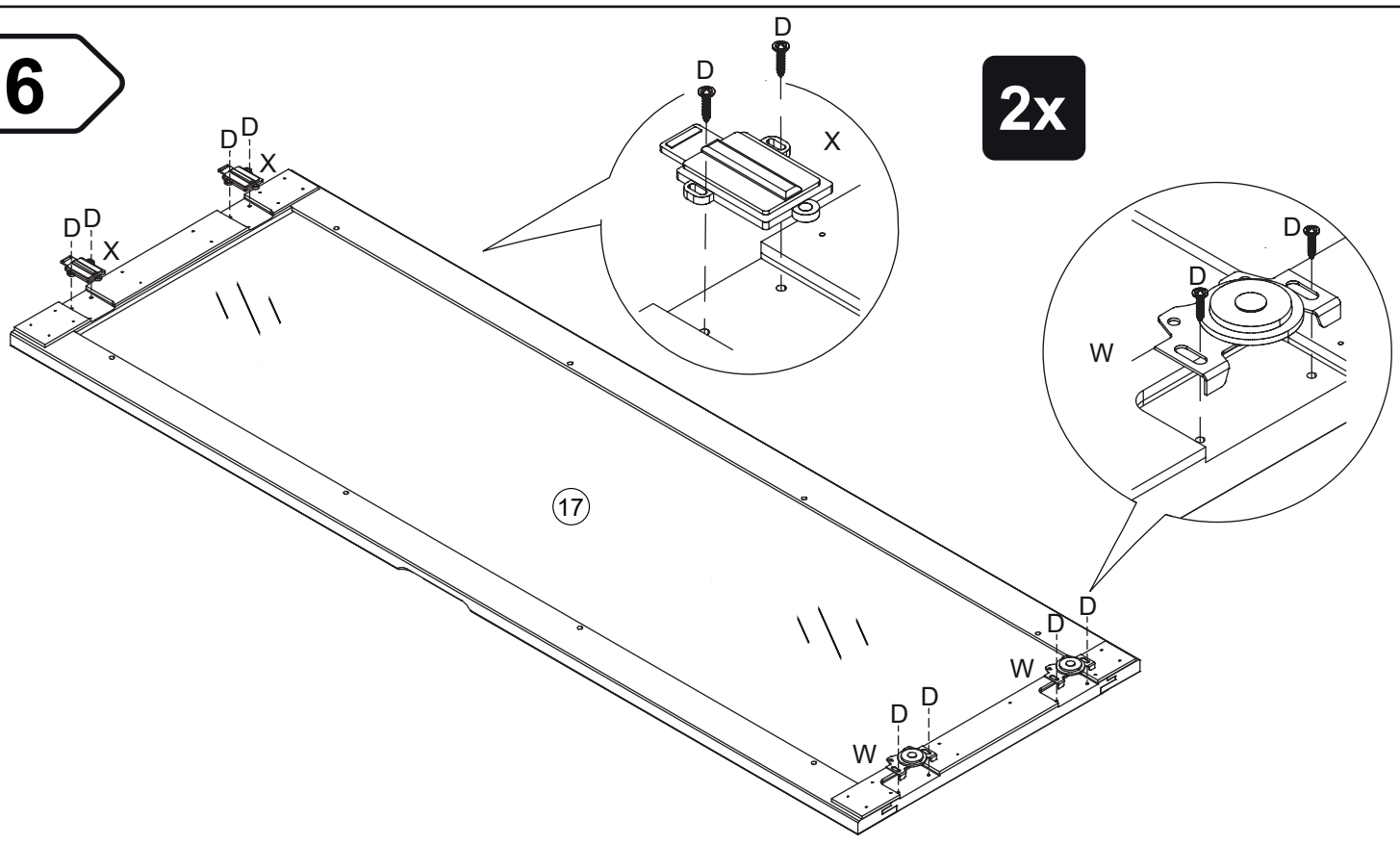


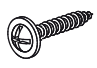

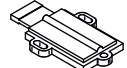
A=B

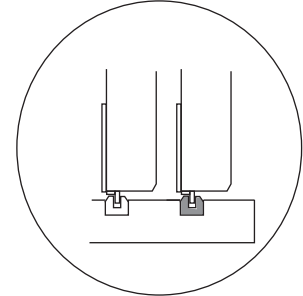
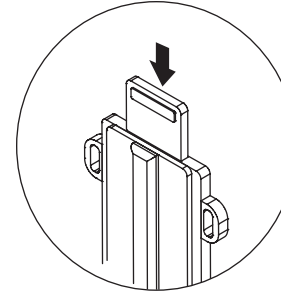
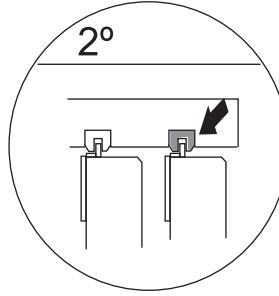
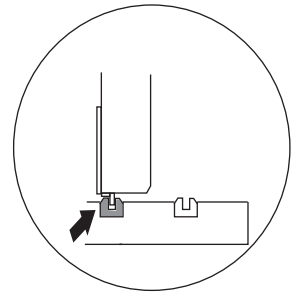
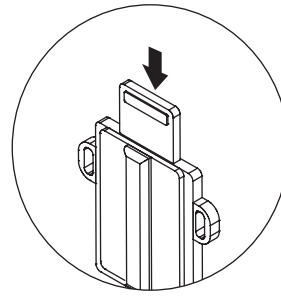
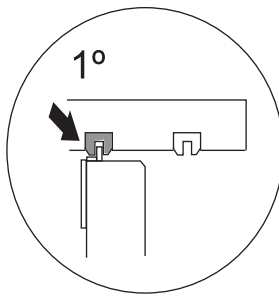
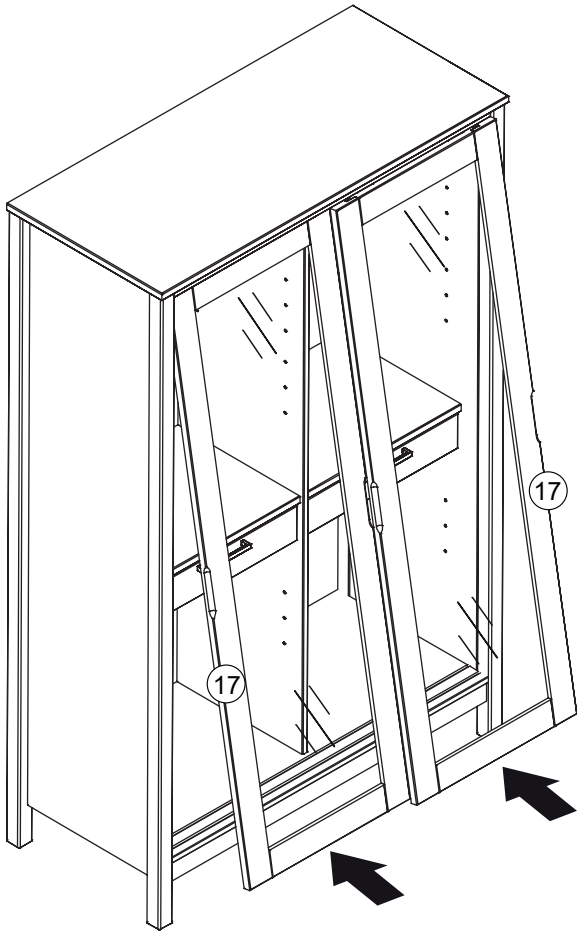
15



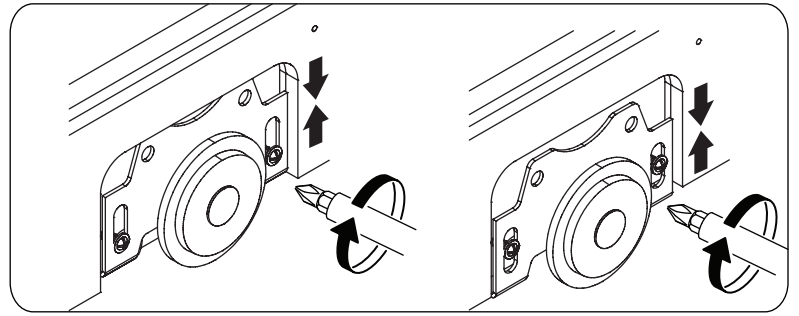
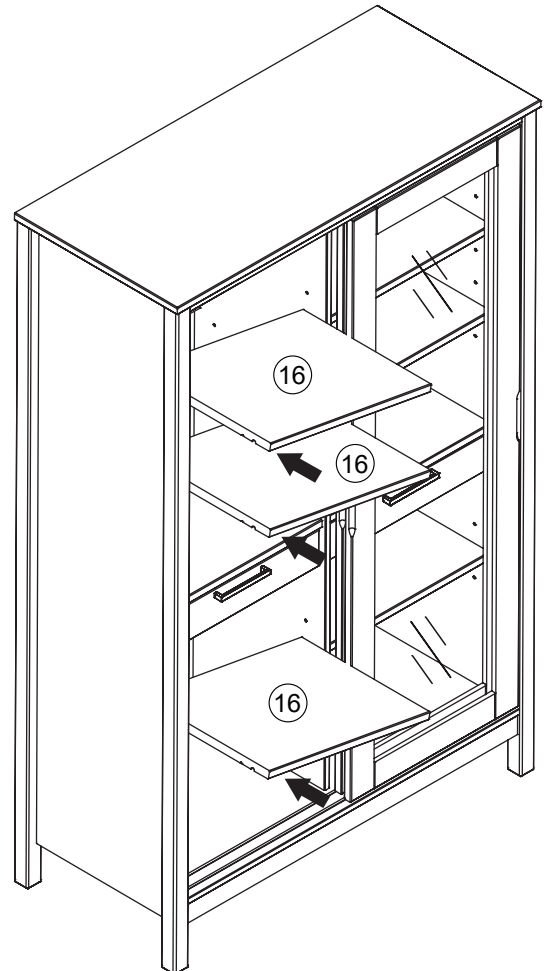
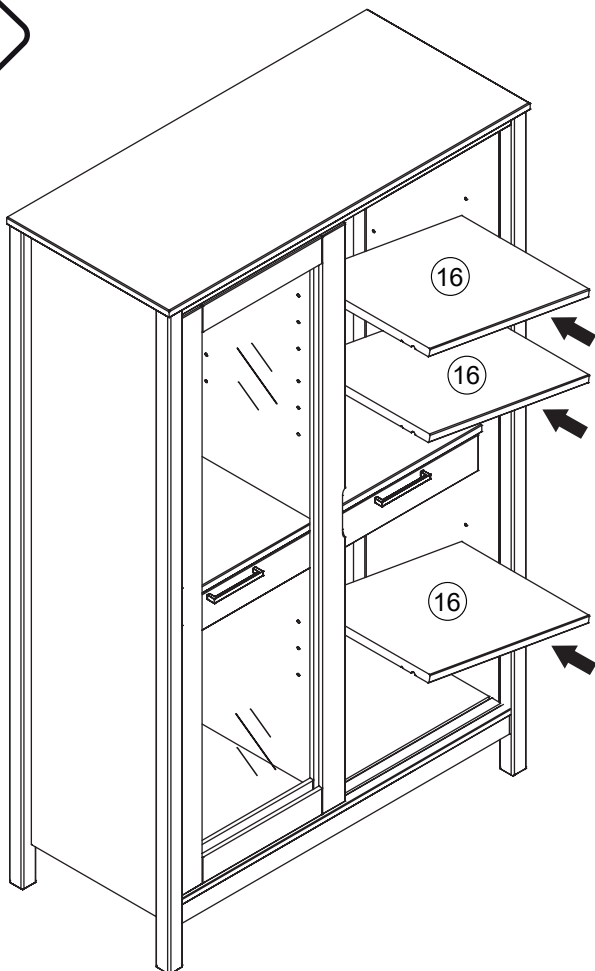
16



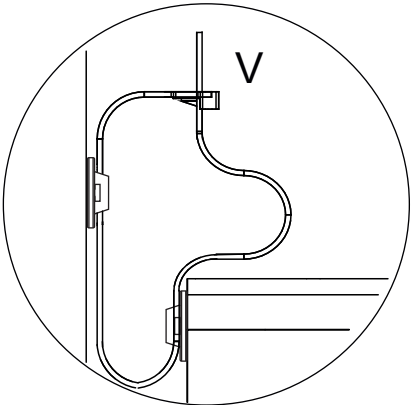
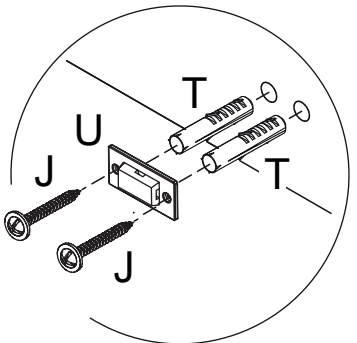
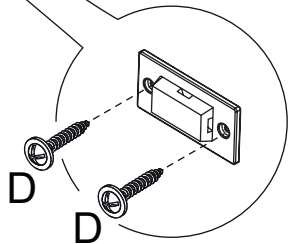
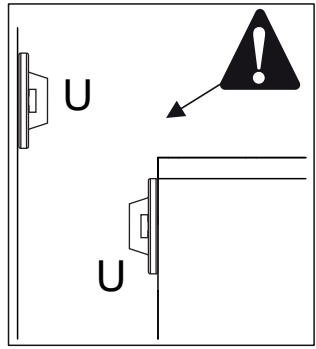
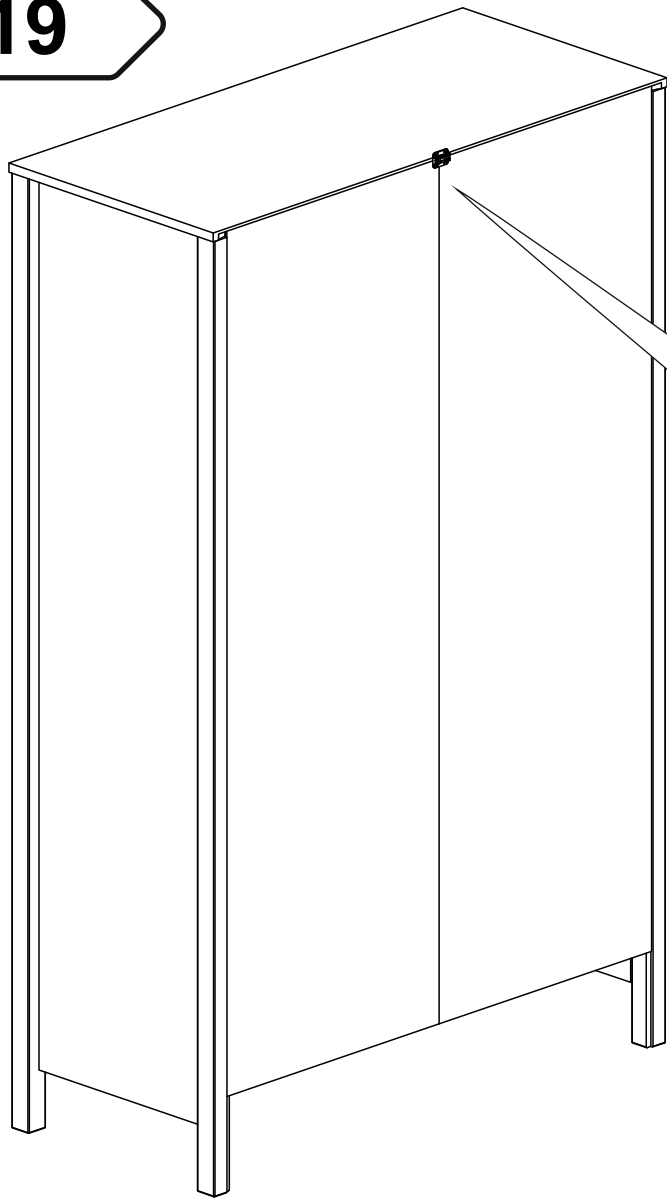
D		16	W		04	X		04
----------	-------------------------------------------------------------------------------------	----	----------	-------------------------------------------------------------------------------------	----	----------	---------------------------------------------------------------------------------------	----

17

! Loosen the screws to adjust the hardware and adjust the door
 Lösen Sie die Schrauben zum Einstellen der Beschläge und stellen Sie die Tür ein
 Solte os parafusos para ajustar a ferragem e regular a porta

**18**

19



D		02
----------	--	----

J		02
----------	--	----

T		02
----------	--	----

U		02
----------	--	----

V		01
----------	--	----

