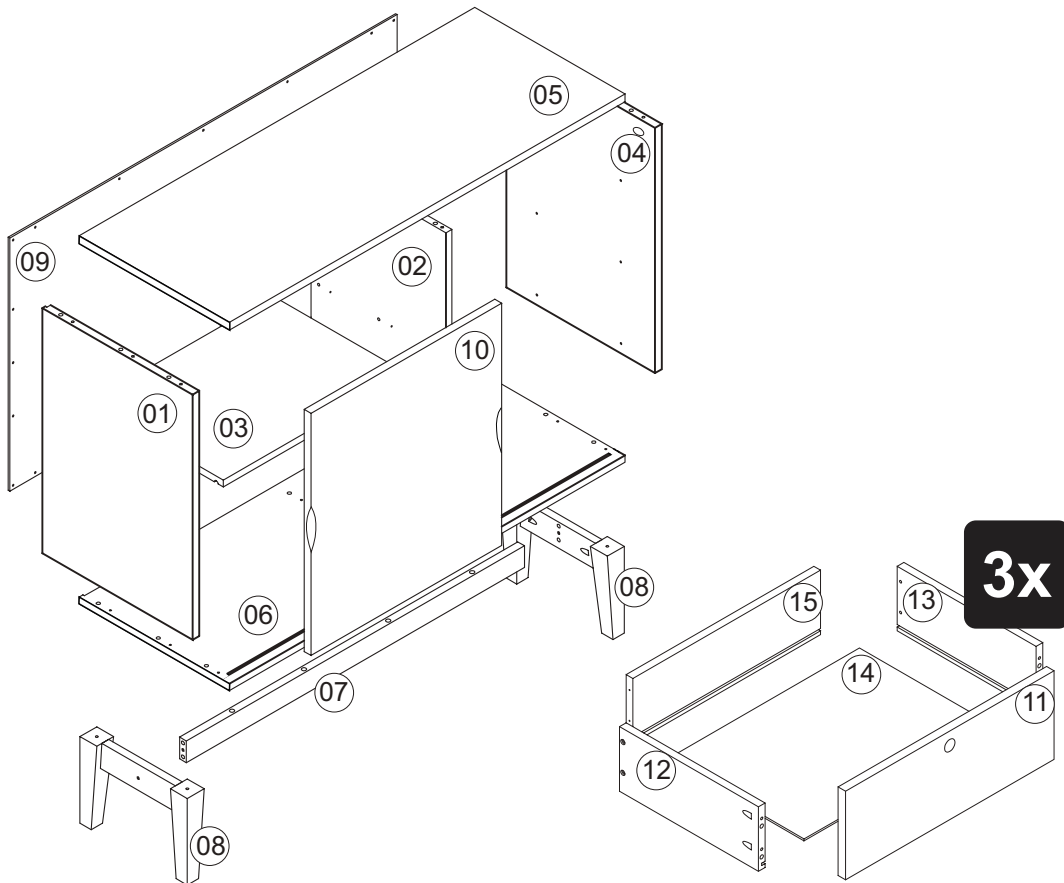
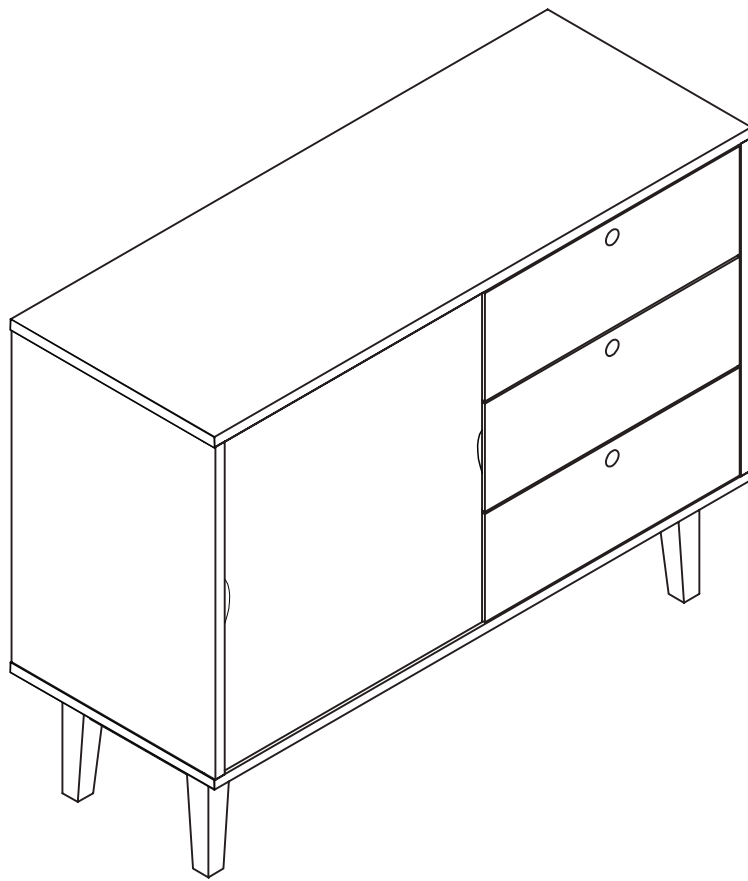
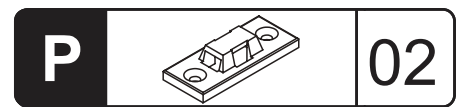
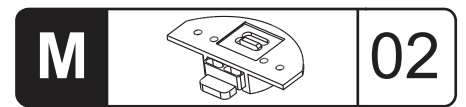
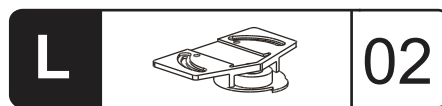
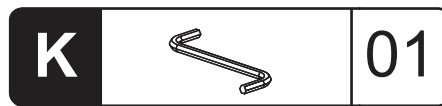
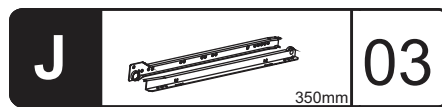
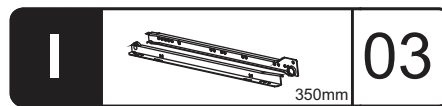
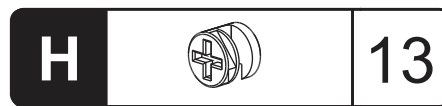
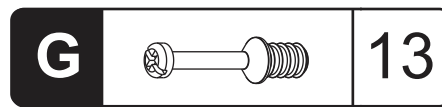
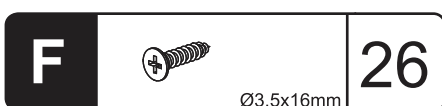
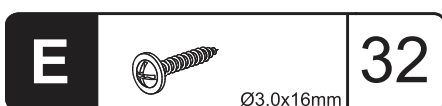
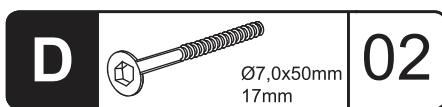
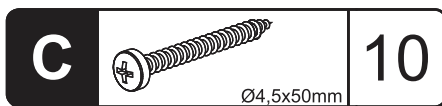
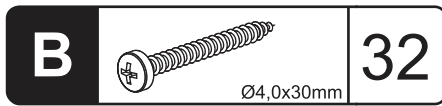
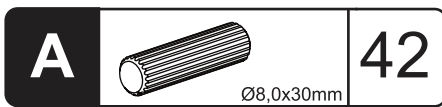
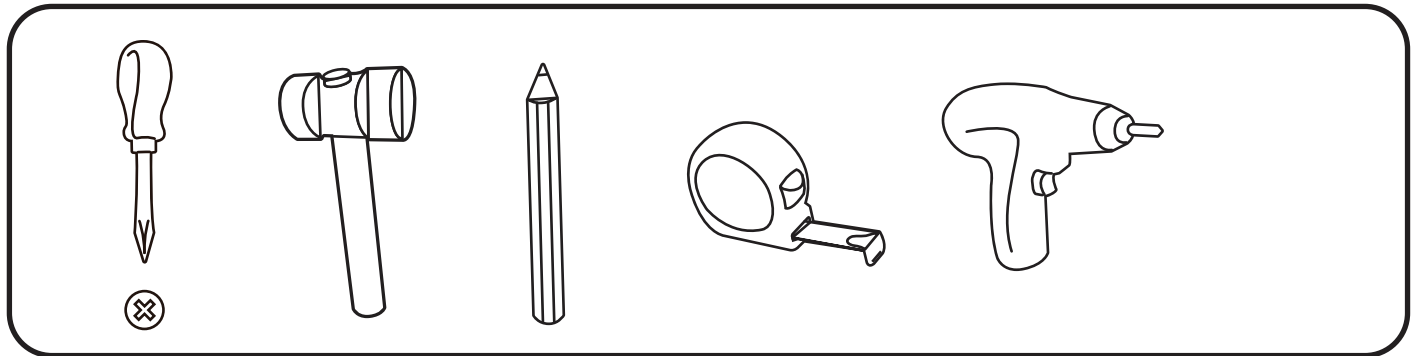
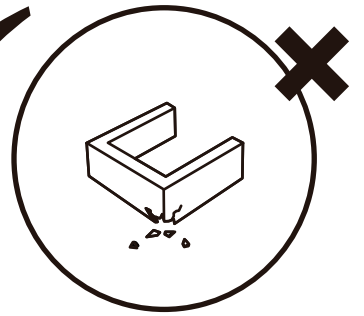
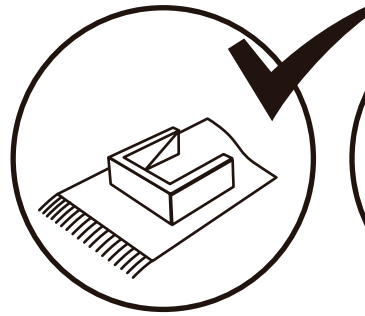
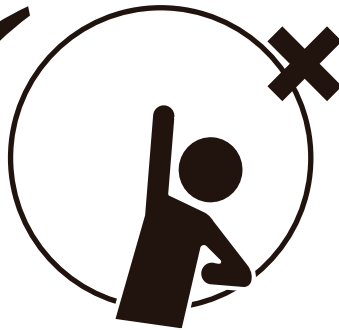
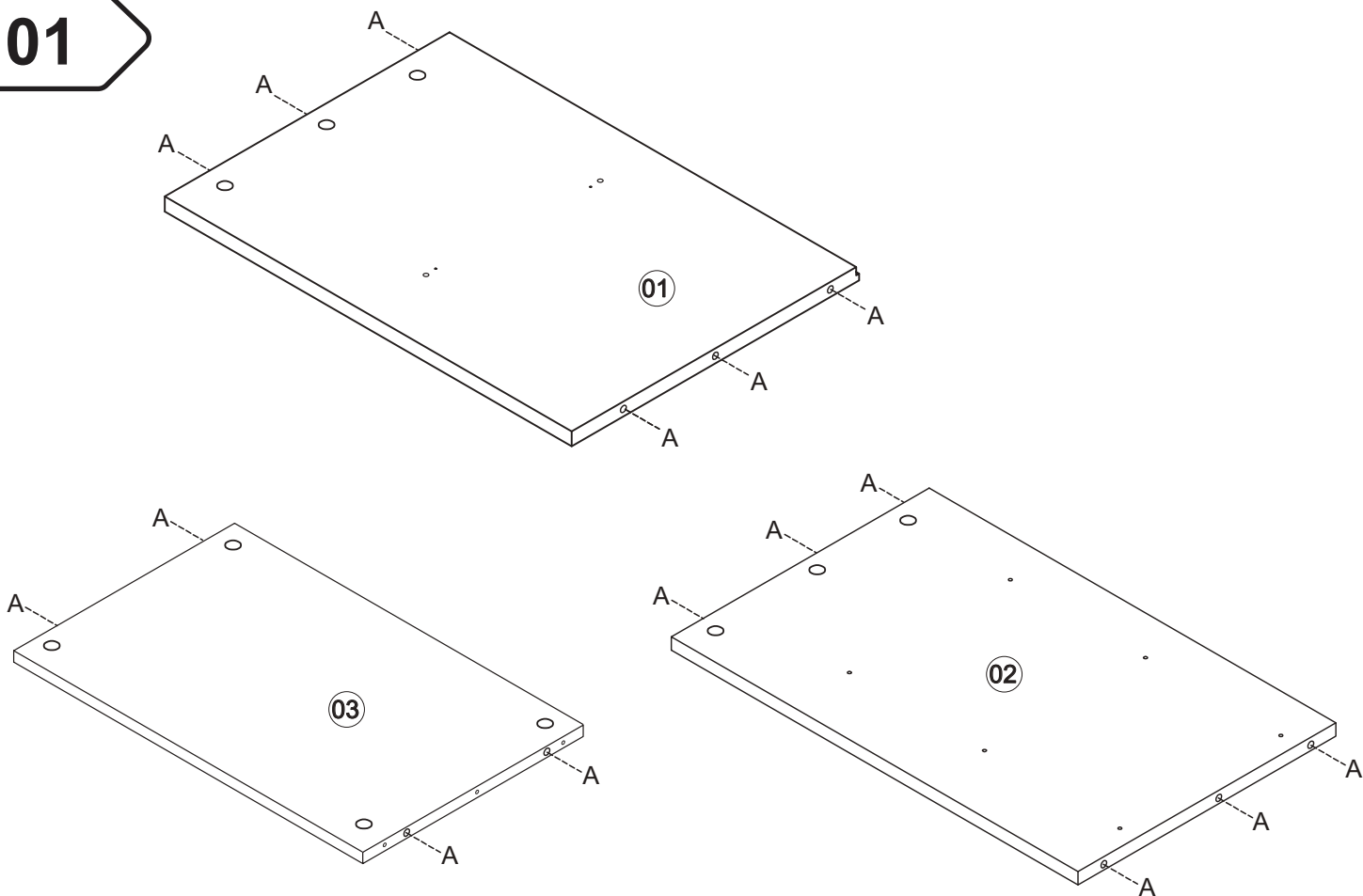
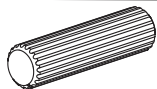
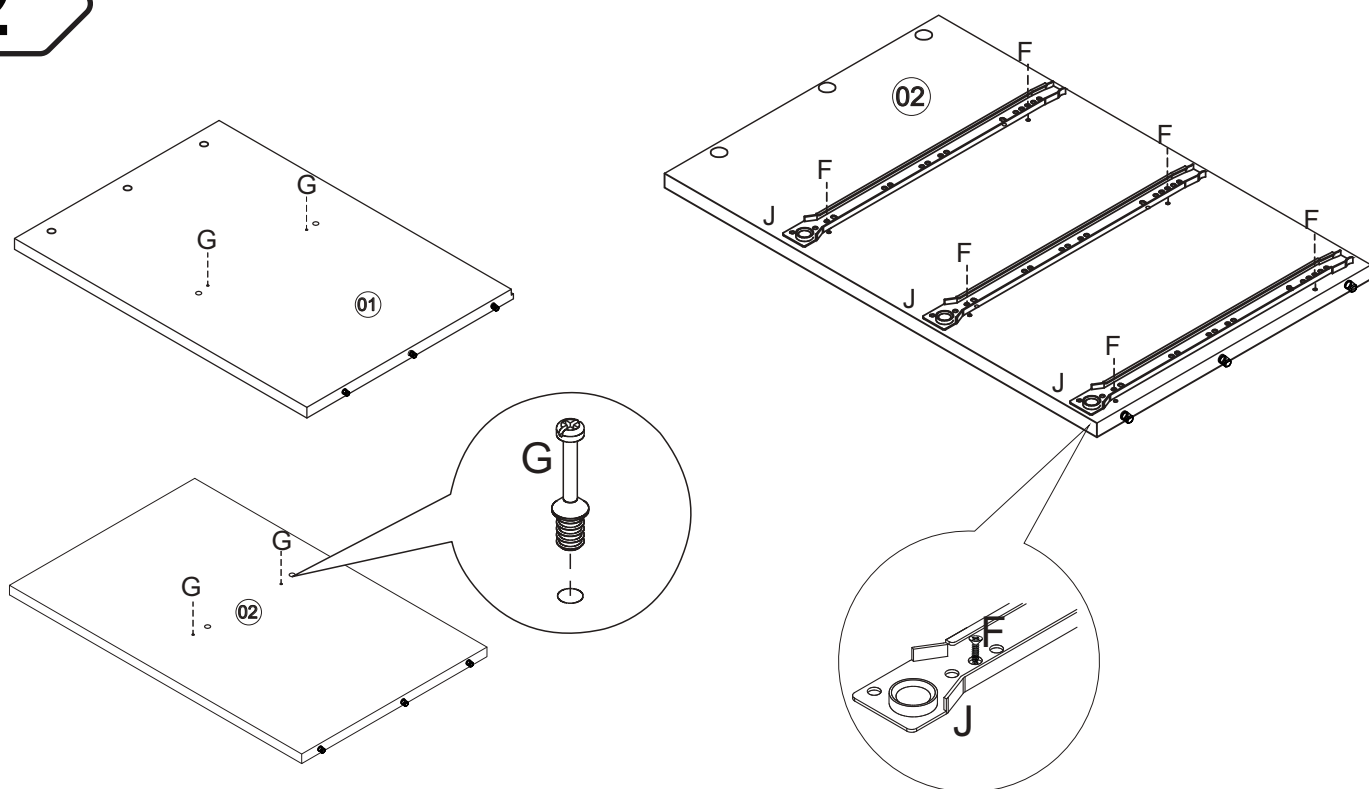


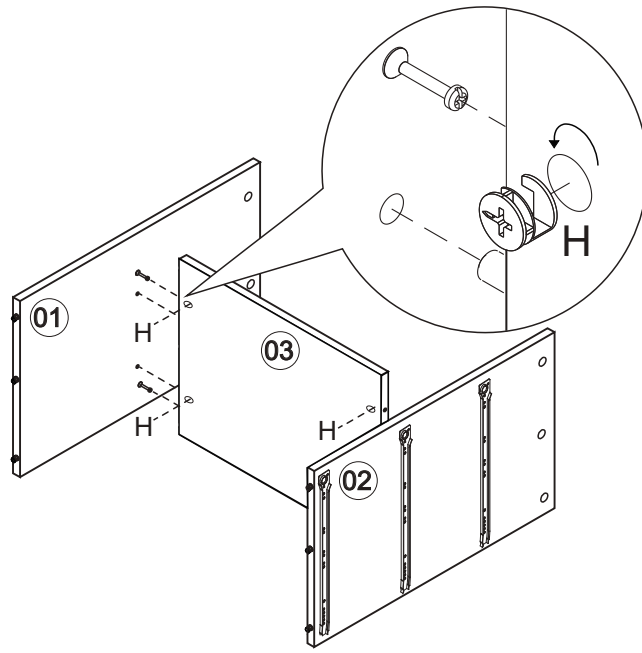
CHARME






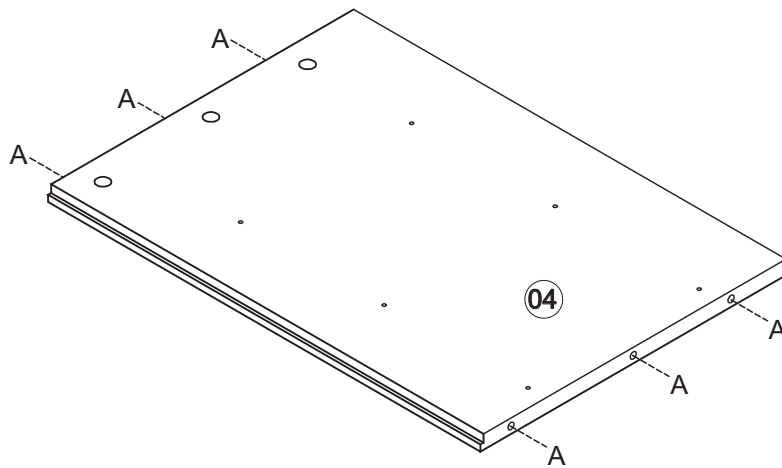
01**A****16****02****F****06****G****04****J****03**


03



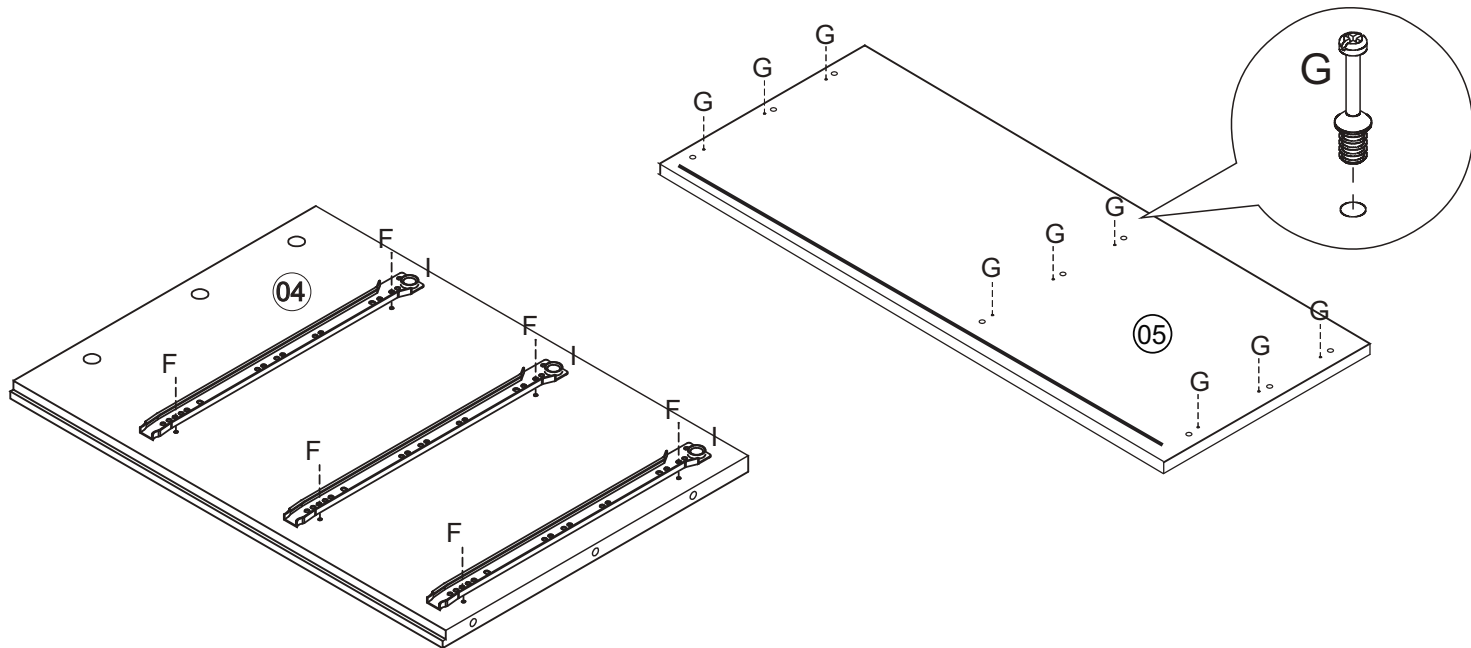
H		04
----------	---	----

04



A		06
----------	---	----

05

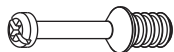


F



06

G



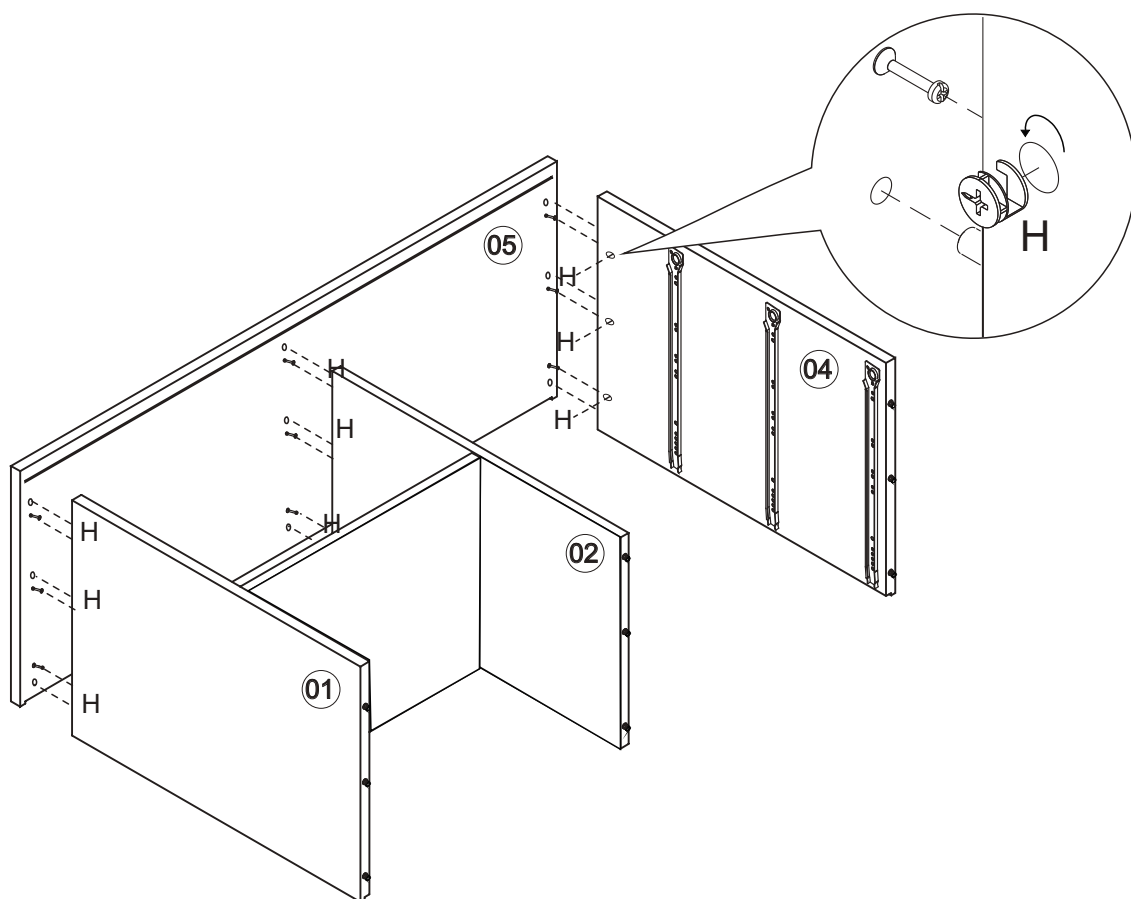
09

I



03

06

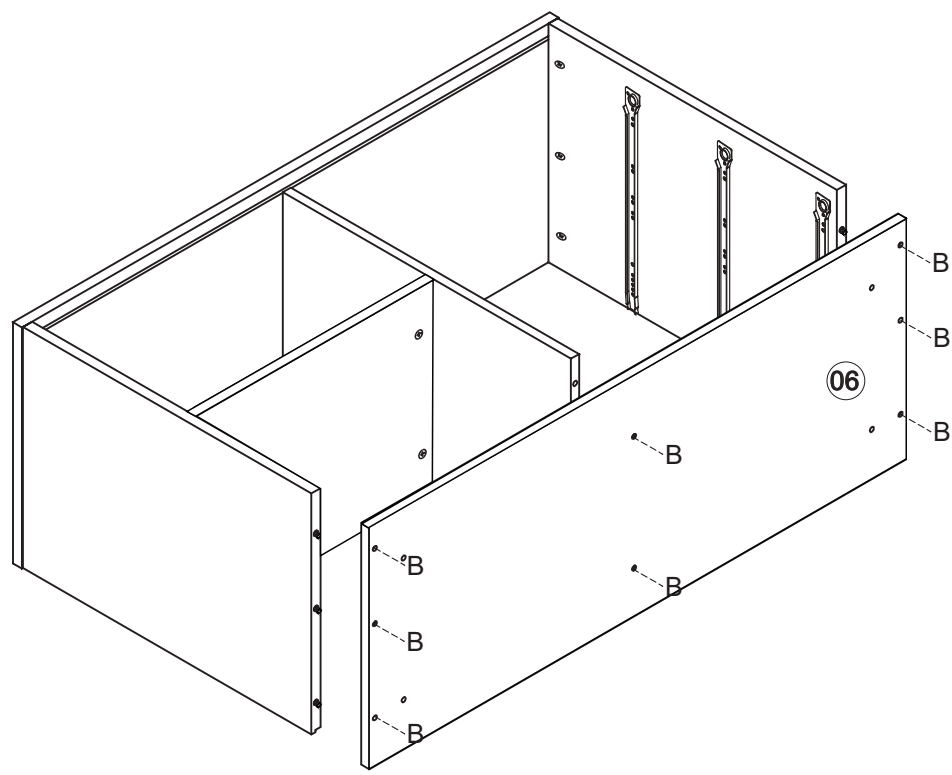


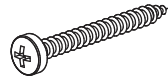
H



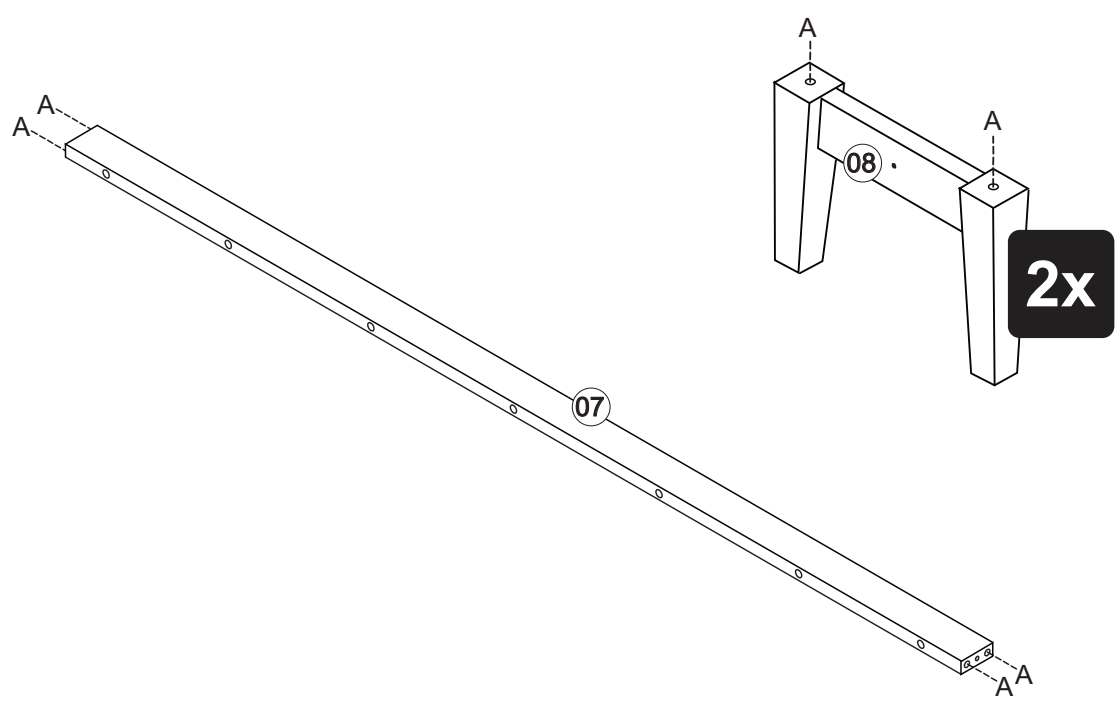
09

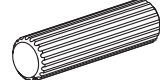
07



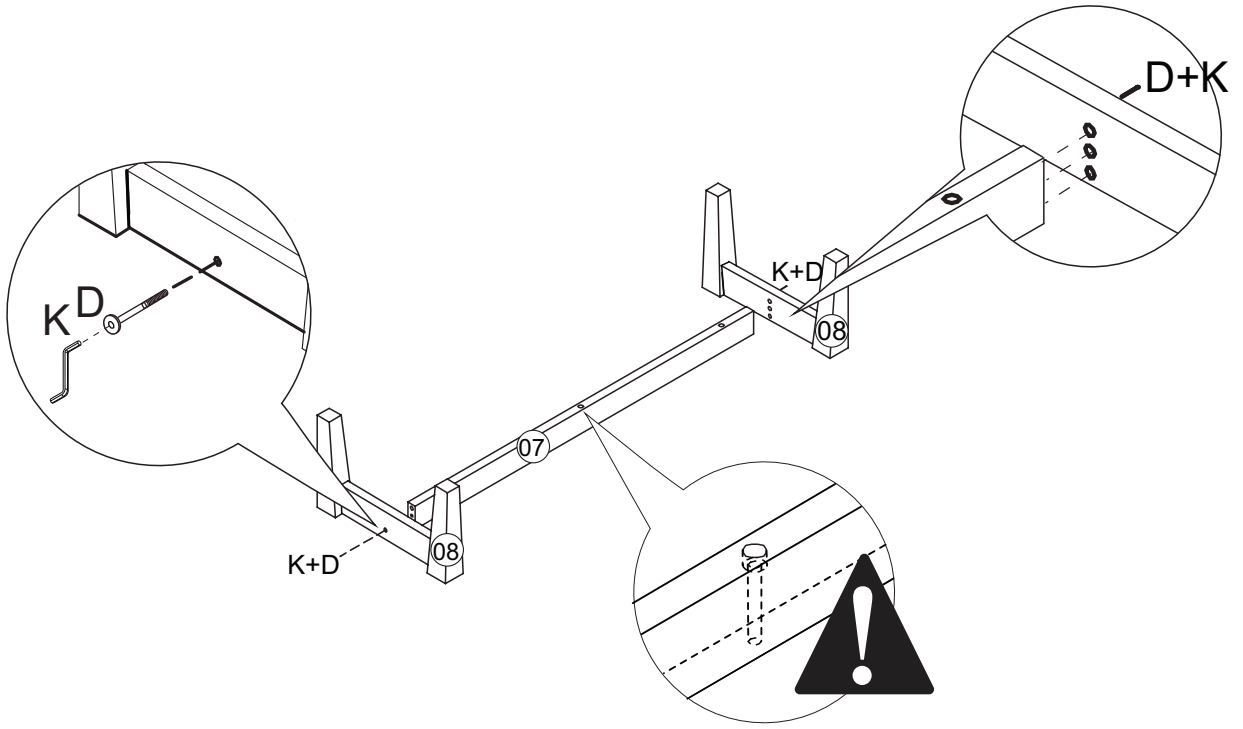
B		08
----------	---	-----------

08

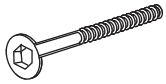


A		08
----------	---	-----------

09

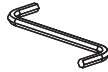


D



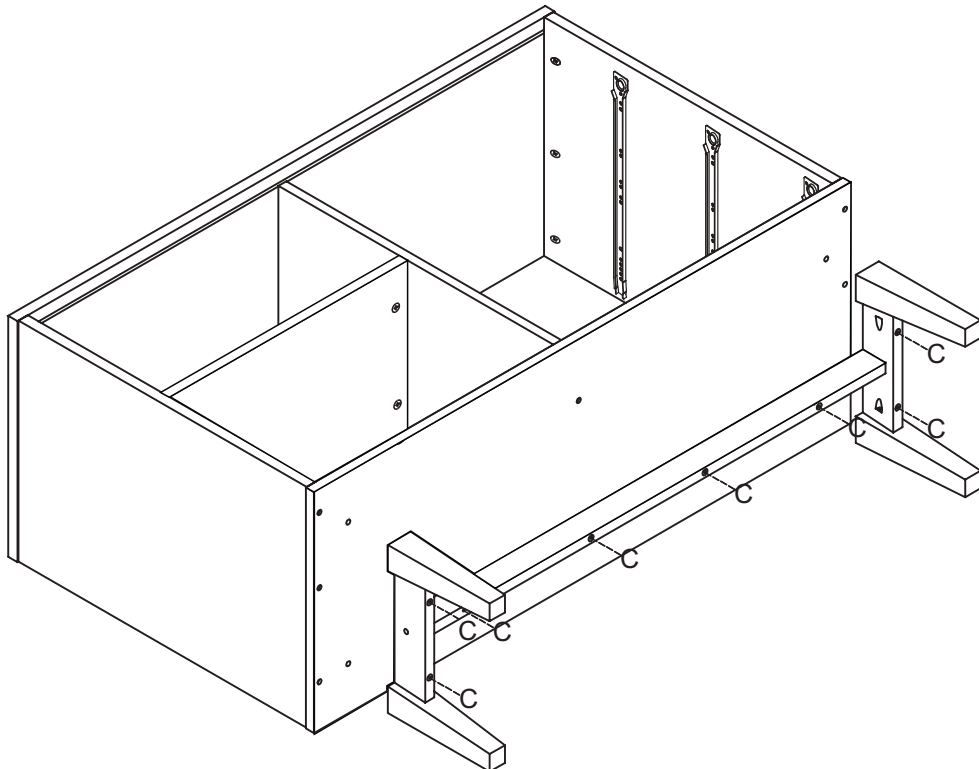
02

K

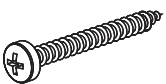


01

10

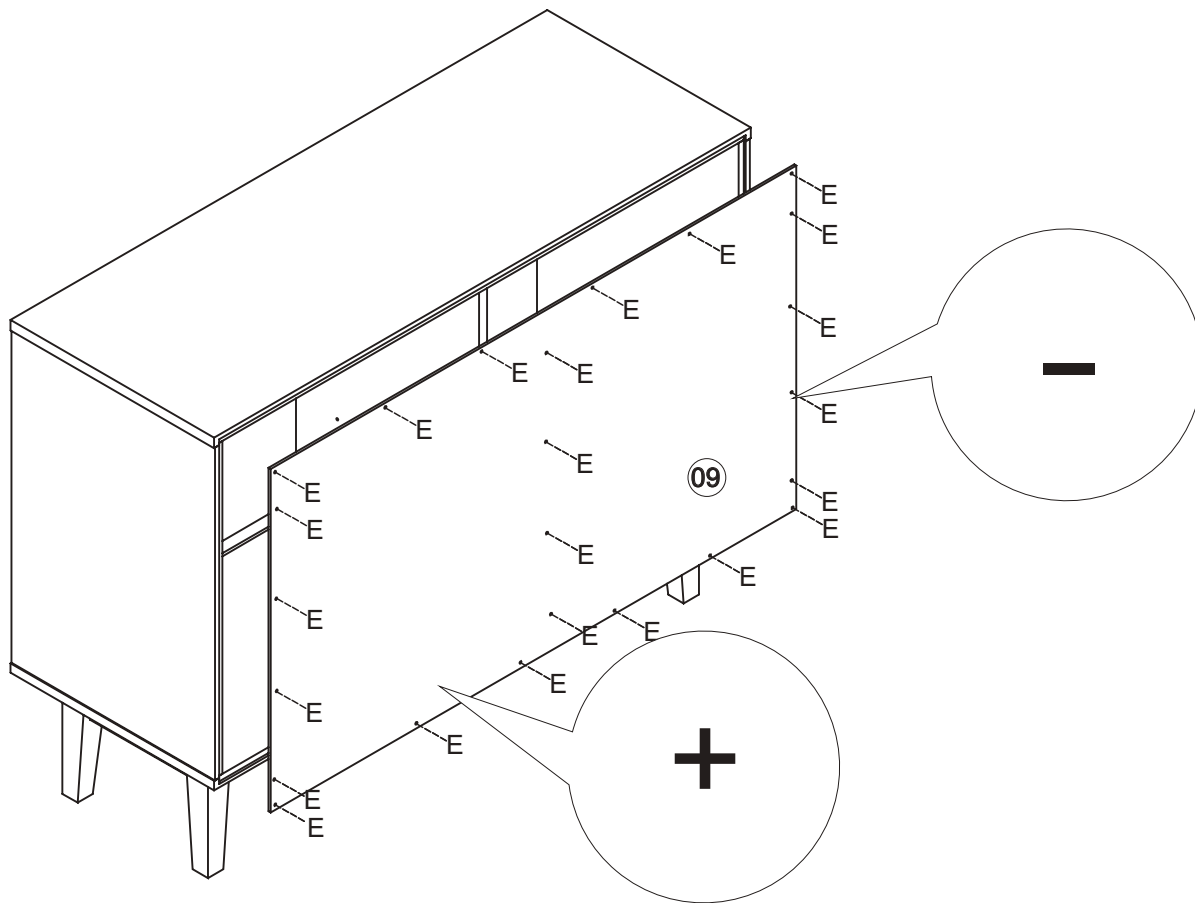


C



08

11

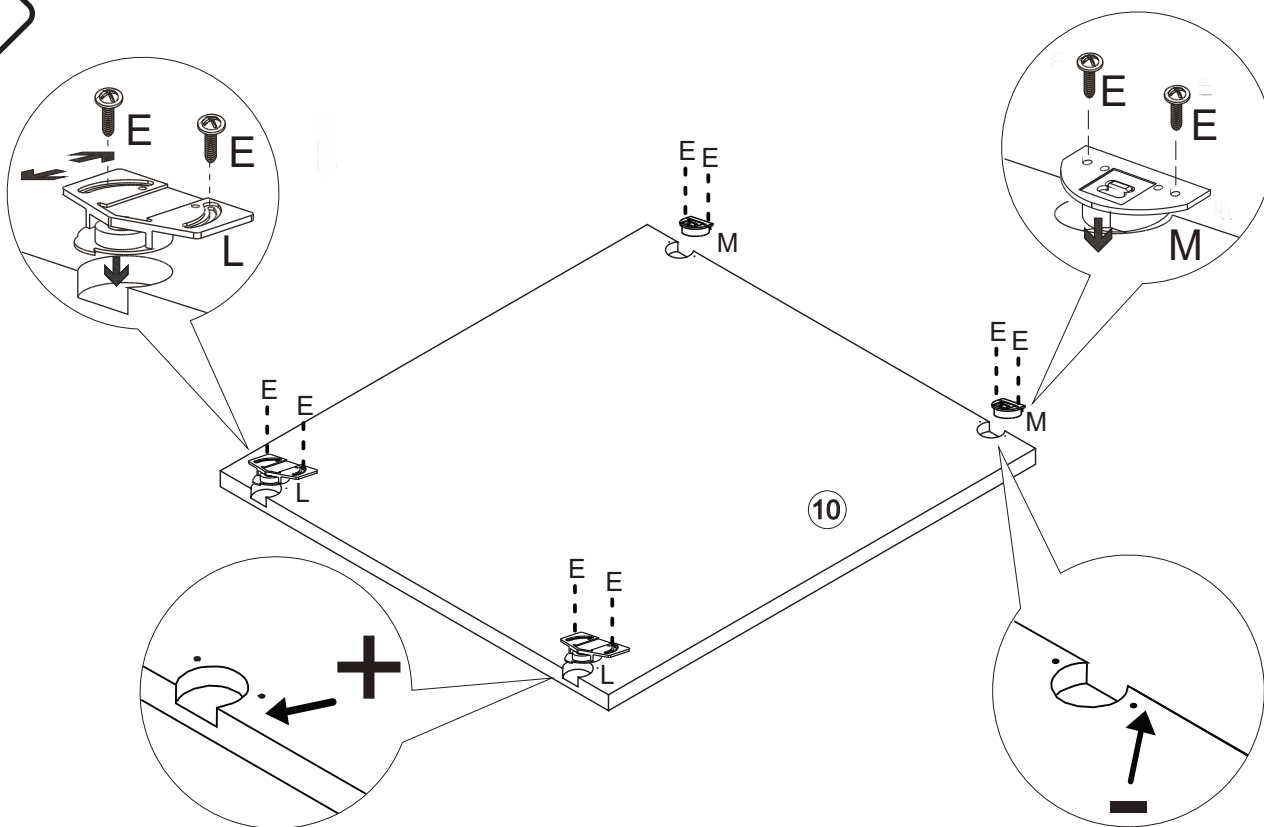


E



24

12



E



08

L

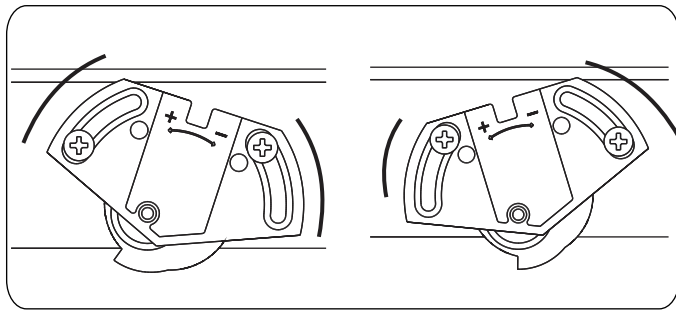
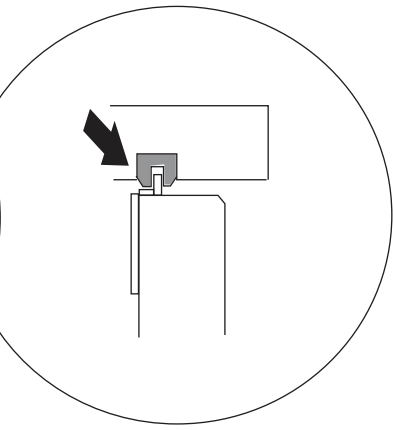
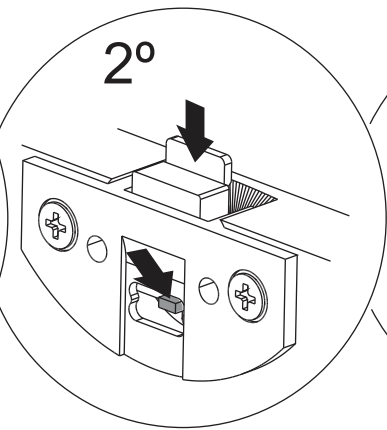
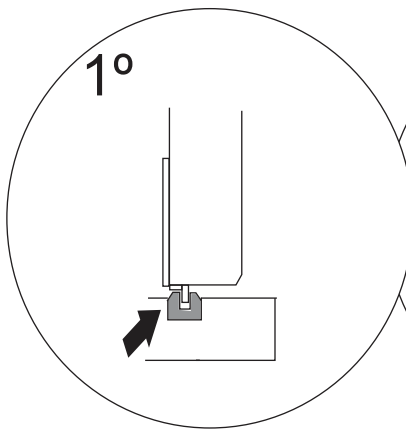
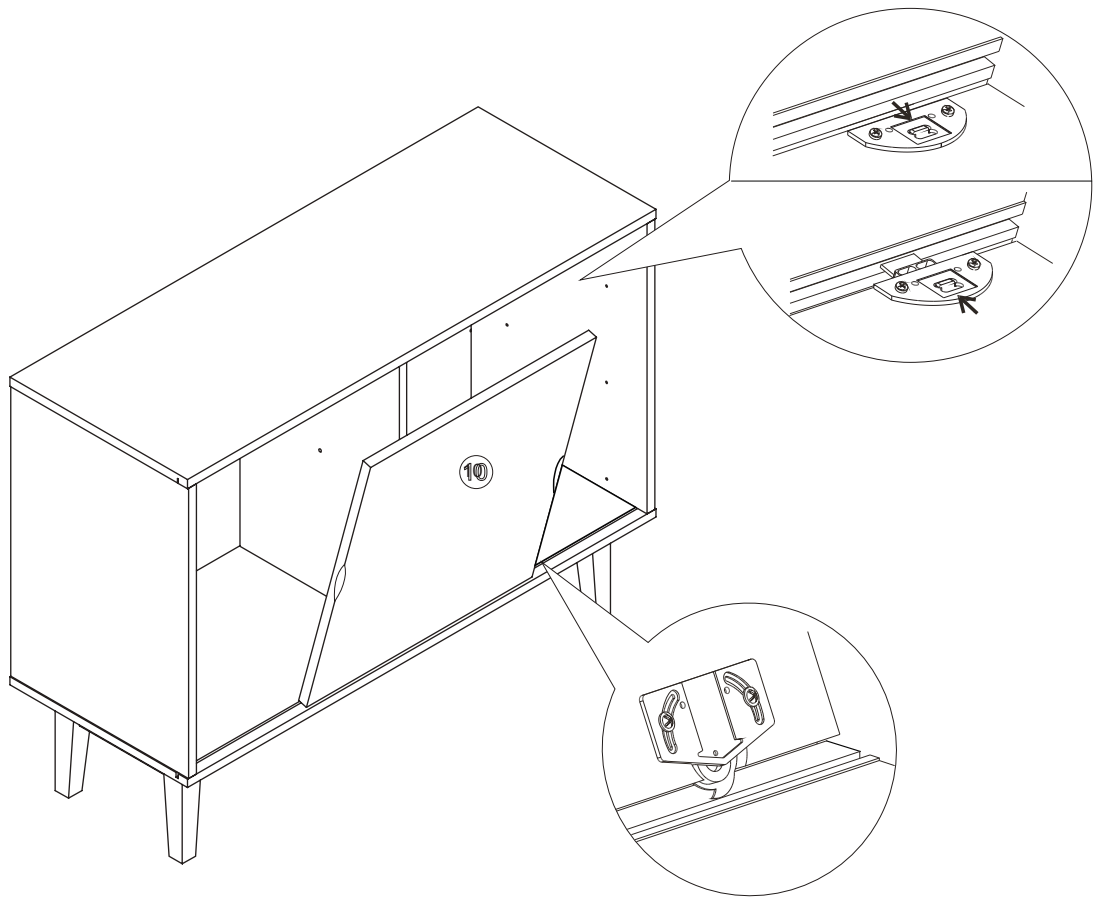


02

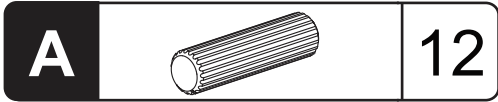
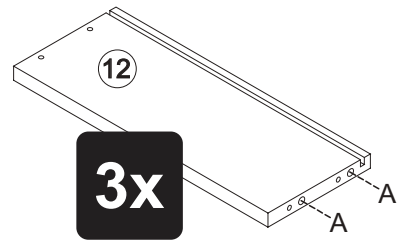
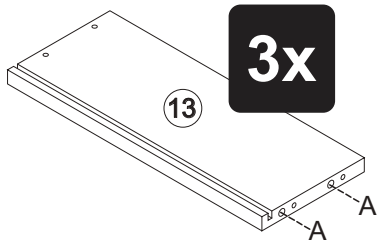
M



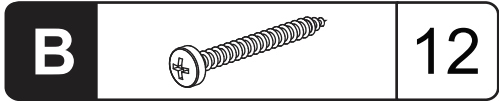
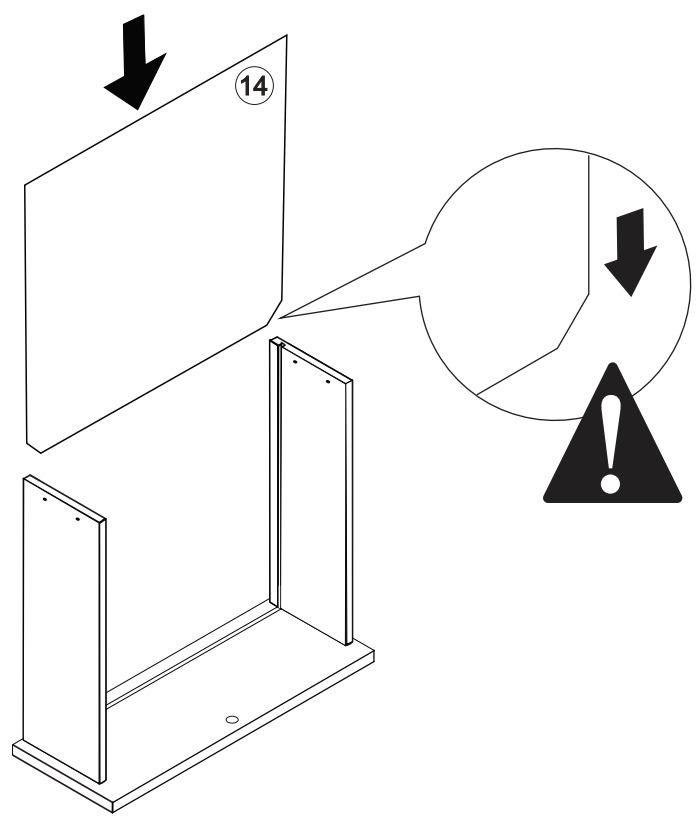
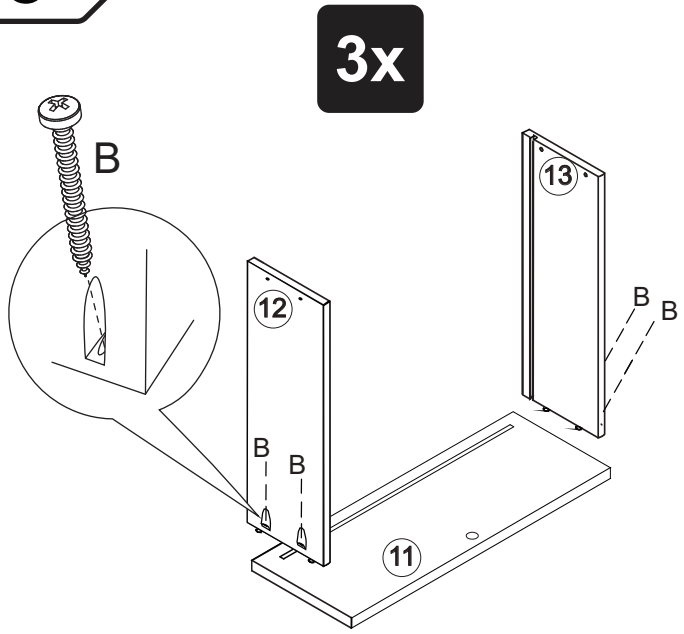
02



14

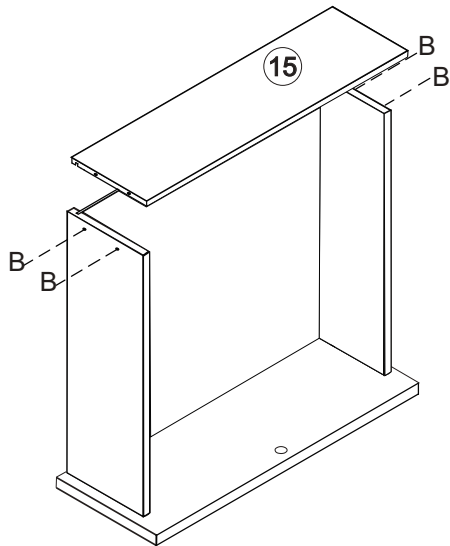


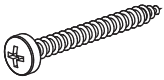
15



16

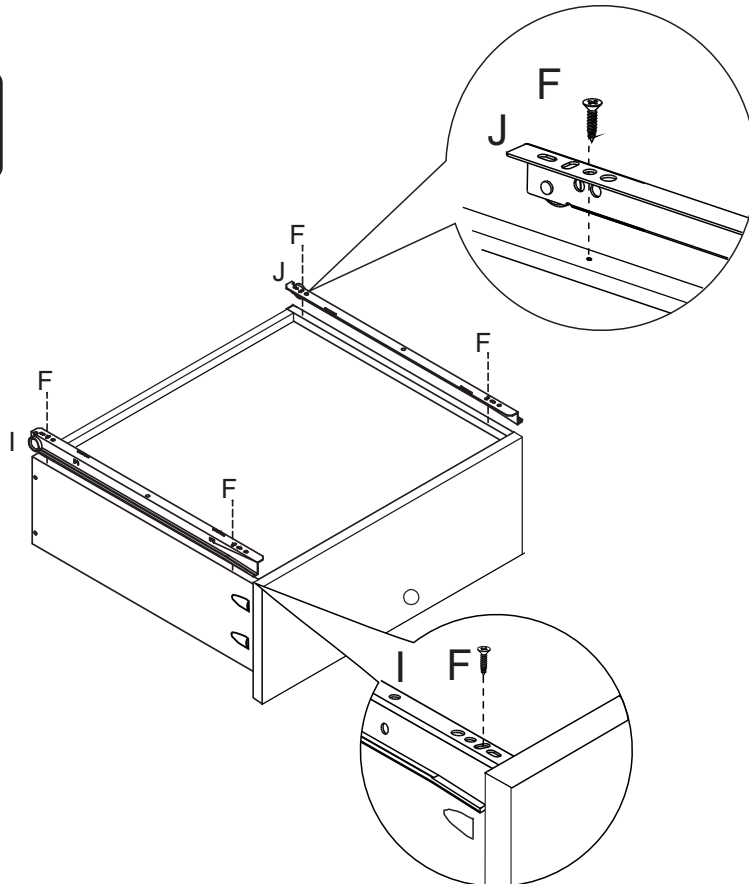
3x





B		12
----------	---	----


17

3x

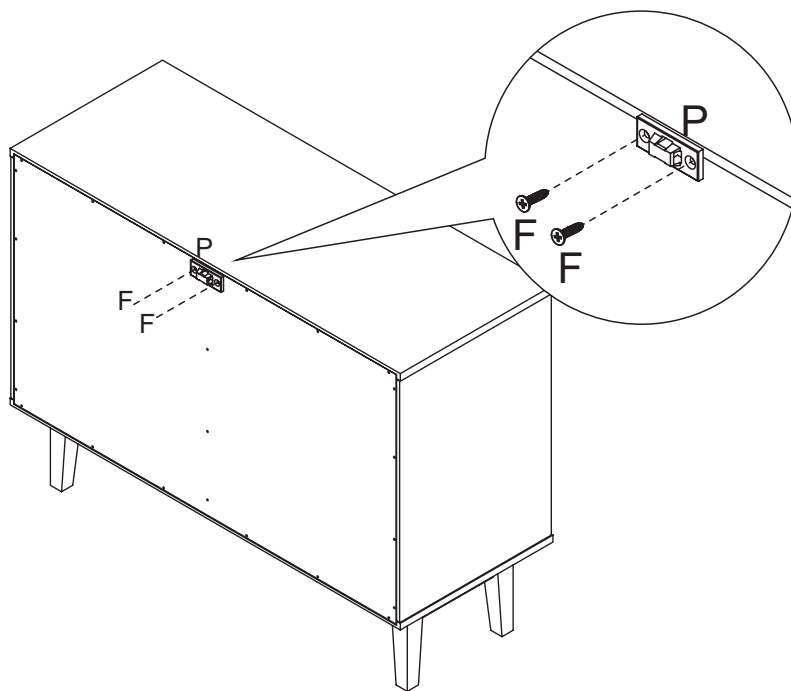


F	 <p>Ø3,0x16mm</p>	12
----------	--	----

I	 <p>300mm</p>	03
----------	--	----

J	 <p>300mm</p>	03
----------	--	----

18

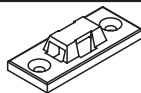


F



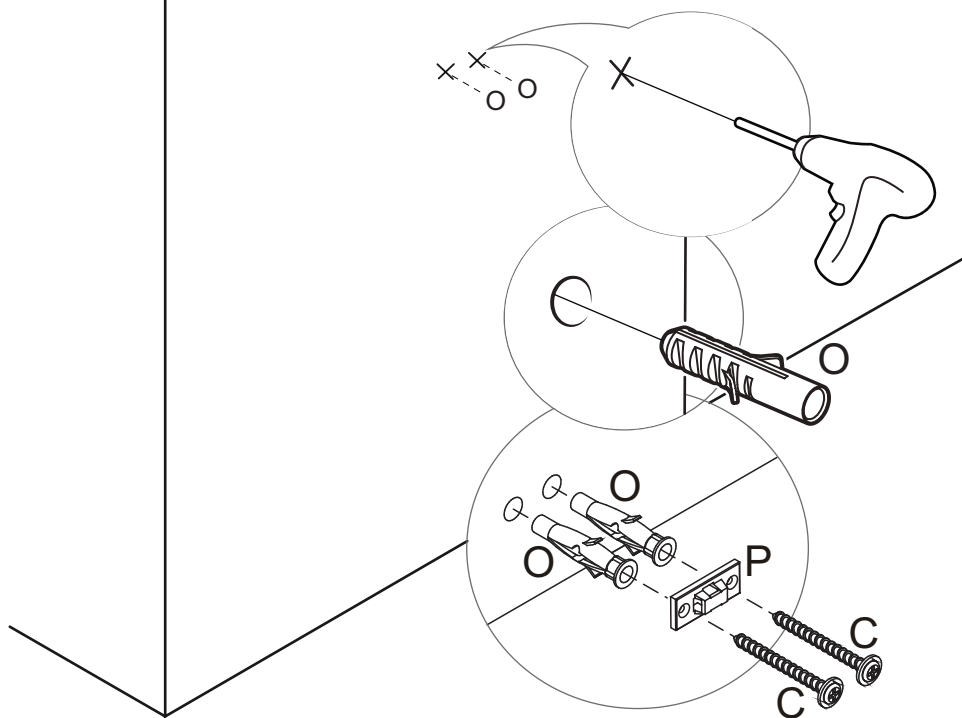
02

P

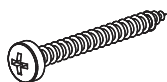


01

19



C



02

O



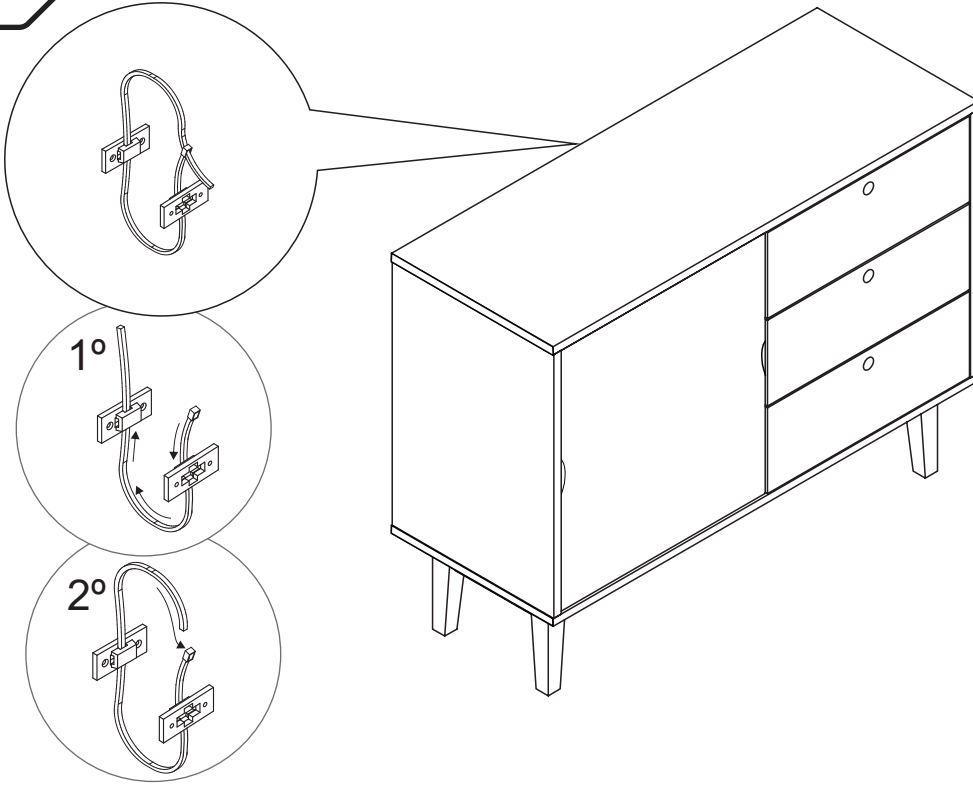
02

P



01

20

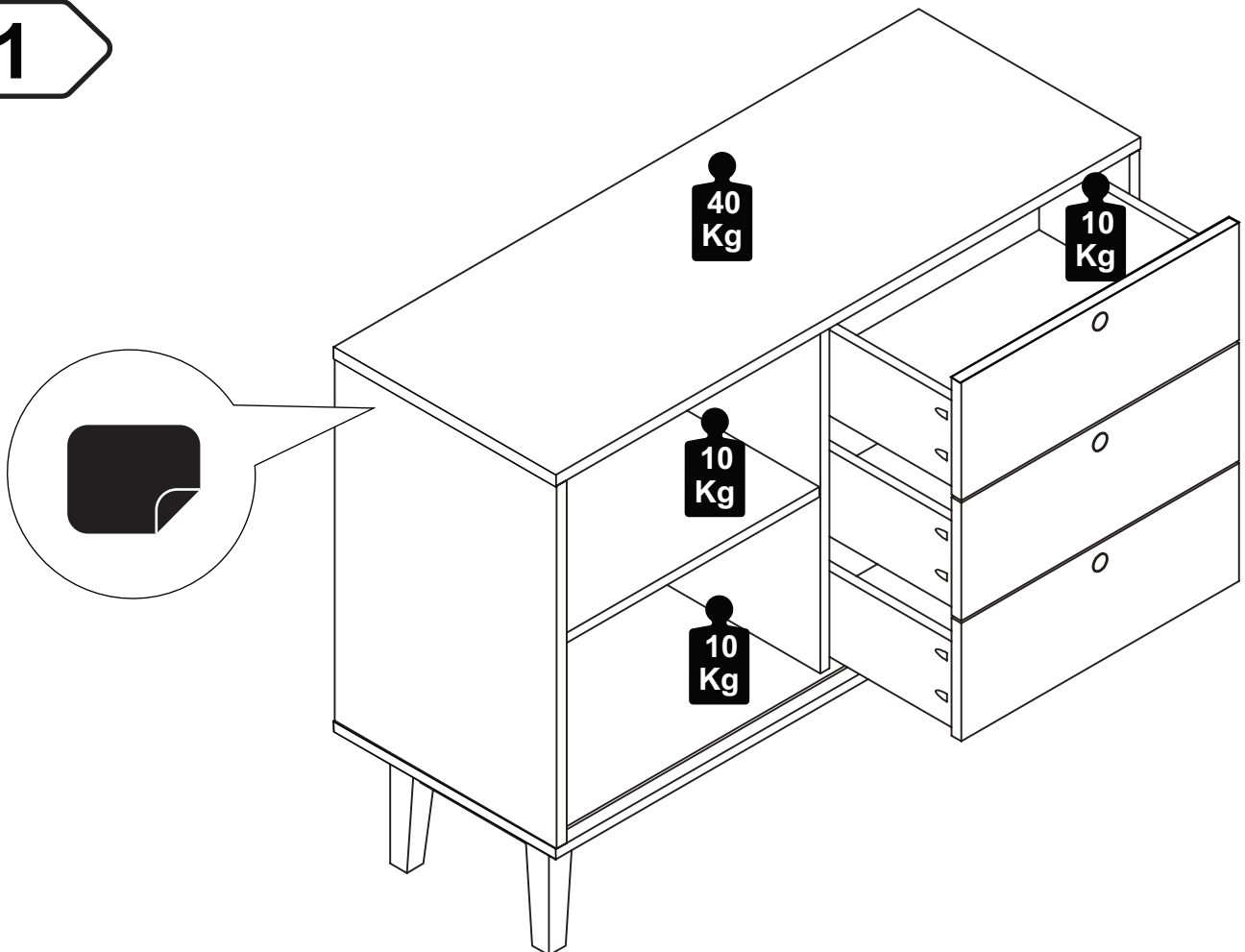


Q



01

21

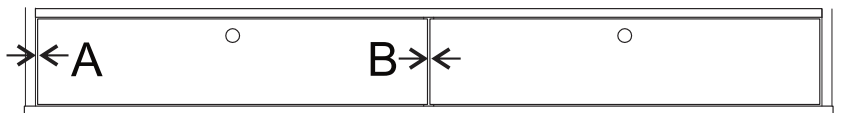
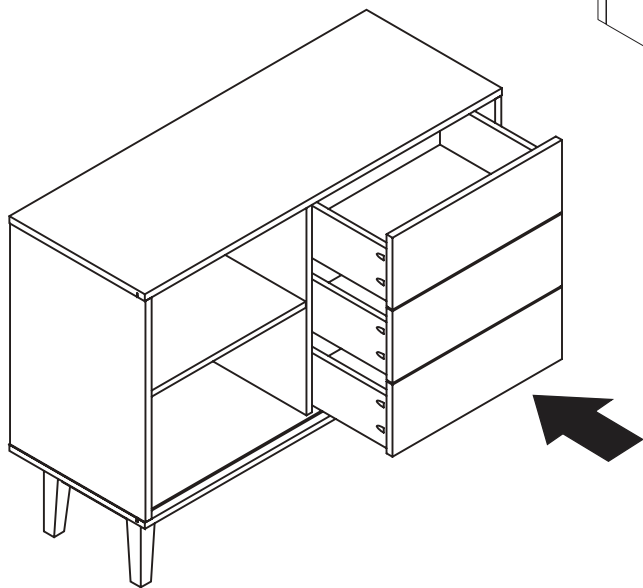
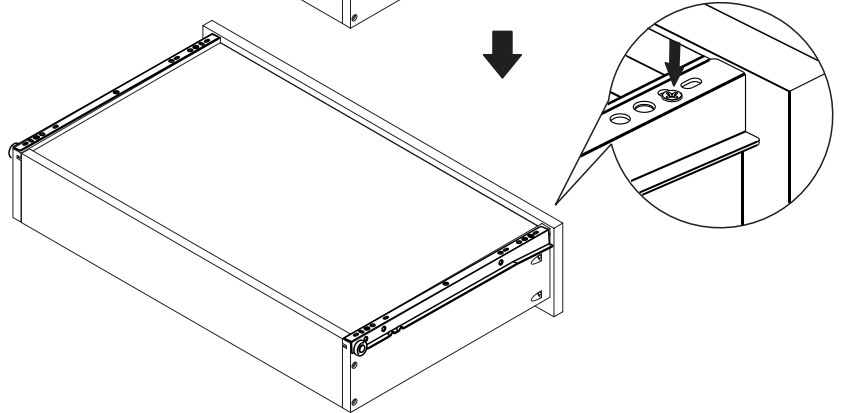
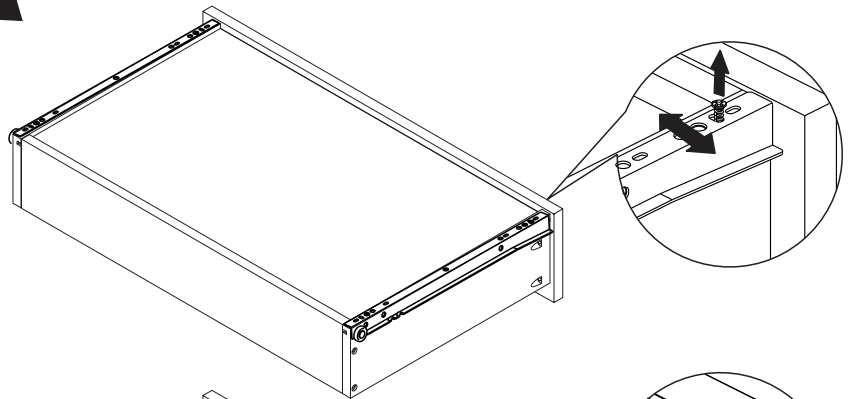
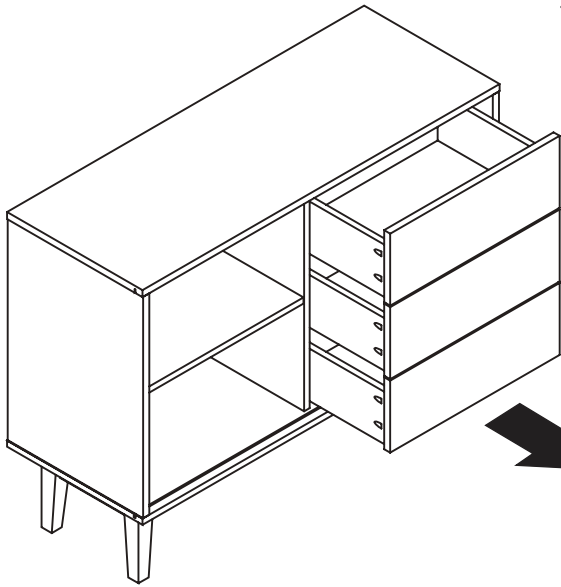
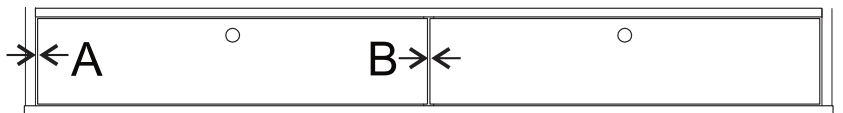


N



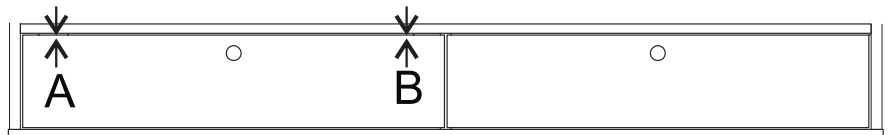
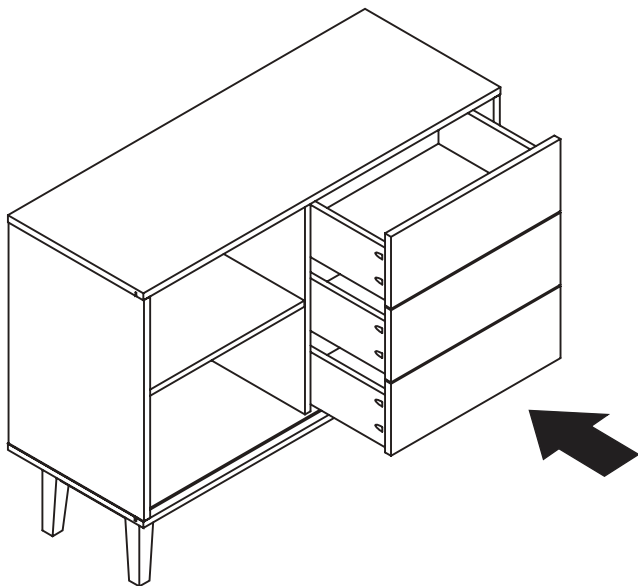
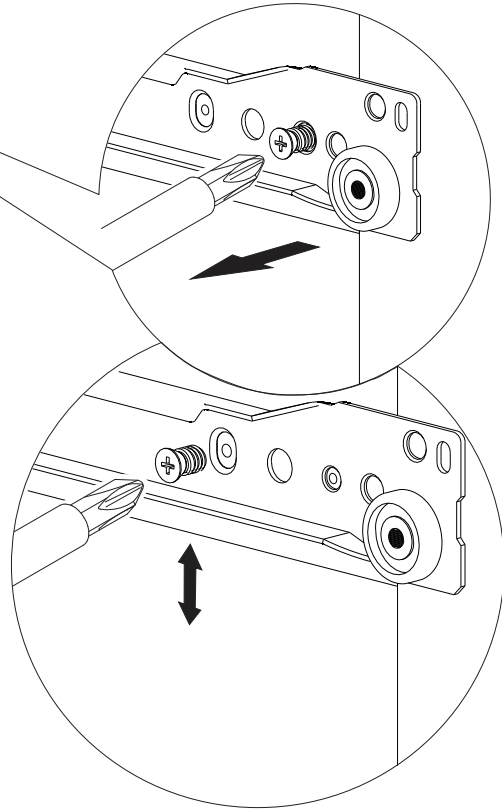
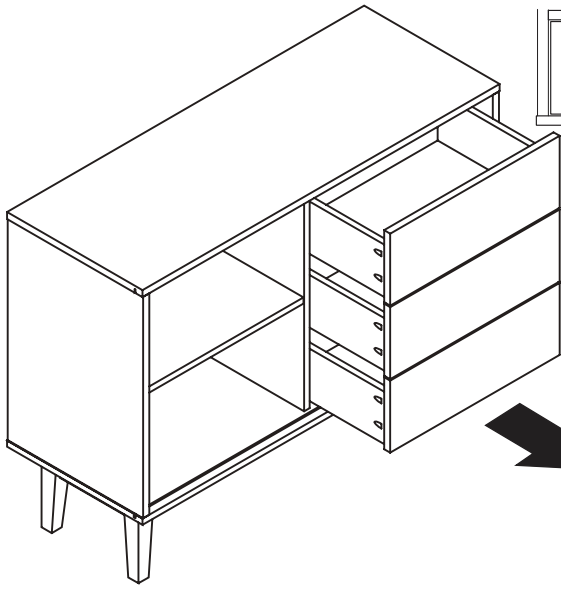
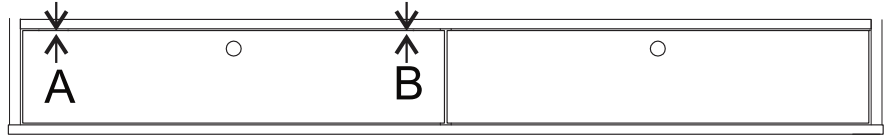
01

A≠B



A=B

A≠B



A=B