

# Climbing Wall

**PARTS REQUIRED:**

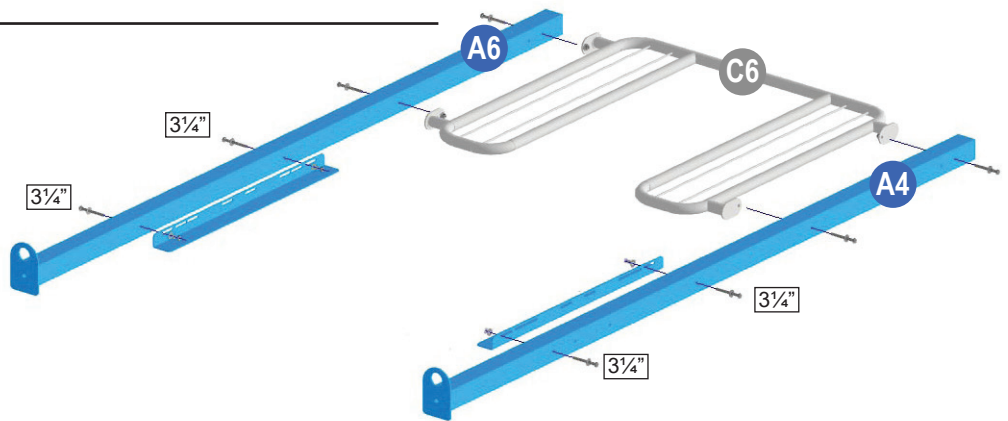
- Climbing Wall Bracket x 2
- Climbing Wall Board
- Climbing Holds

**HARDWARE REQUIRED:**

- x4 3/4" bolt, 2 washers, lock washer, nut
- x8 1 1/4" bolt, 2 washers, lock washer, cap nut
- x15 1 1/4" socket head screw and T-nut insert

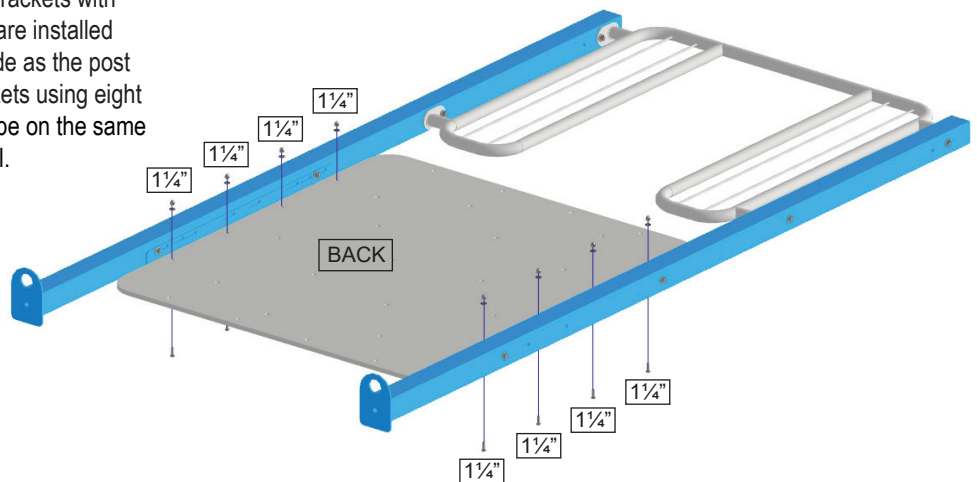
**STEP 1:** The Climbing Wall is installed below the play deck between Posts A4 and A6, in lieu of C2 Ladder. Two climbing walls can be installed one over the other, the top one replacing one of the railings surrounding the upper deck.

**STEP 2:** Align one Climbing Wall Bracket to the lower holes on Post A6 and one Climbing Wall Bracket to the lower holes on Post A4. The bracket contains multiple slots. Using the lowest slot, align the bracket with the lowest hole on the A6 Post. Using the uppermost slot, align the bracket with the fourth hole from the bottom of the Post. Ensure the other holes are accessible. Bolt each bracket to the respective post using two (2) 3/4" bolts on each bracket.



**STEP 3:** Align the Climbing Wall Board to the brackets with the front of the wall facing down. (If the T-nuts are installed already, they should be visible, on the same side as the post feet.) Bolt the Climbing Wall Board to the brackets using eight (8) 1 1/4" bolts and cap nuts. Cap nuts should be on the same side as the post feet; this is the back of the wall.

If installing two climbing walls, loosely attach the upper Climbing Wall Brackets on A6 and A4. After both Boards are attached to the brackets, slide the brackets up or down as needed to allow both boards to fit. There should be an approximately 1" gap between the boards.



**STEP 4:** Attach the Climbing Holds to the Climbing Wall Board using one (1) 1 1/4" socket head screw and one (1) T-nut insert for each hold. Place the bolt through the hold, then align the bolt through the hole in the Board. Align a T-nut on the back side of the board. Thread the bolt into the T-nut. Using a 5/16" hex drive, tighten the bolt until T-nut sinks flush with the face of the Board.

