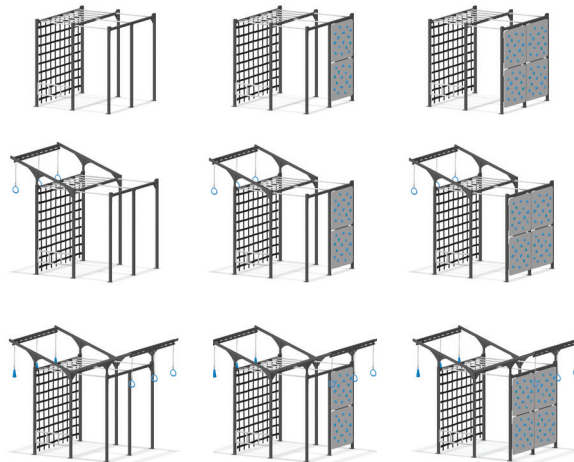
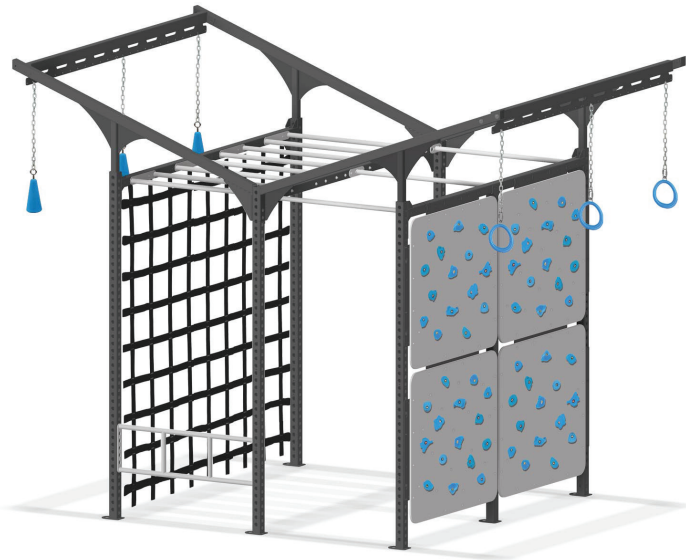


# Installation, Maintenance, & User Manual

## SS6 SpartanSesh Cube



### **WARNING**

Read all precautions and instructions in this manual before using this equipment. Save this manual for future reference and in the event that the manufacturer has to be contacted.

Designed for persons 12 years & older.  
Maximum fall height: 10'-7"



13385 Joy Road

Lusby, MD 20657

[www.swingseesh.com](http://www.swingseesh.com)



# Contents

Before You Begin Installation ..... 2  
Surfacing Materials ..... 3  
Safety Precautions ..... 4  
Maintenance Information ..... 5  
Assembly Instructions ..... 6  
    Tools Required ..... 6  
    Parts Identification ..... 7  
    Hardware ..... 8  
Limited Warranty & Return Policy ..... 22

---


## Replacement Parts or Questions


If you have questions after reading this manual, please call our Customer Care Team and our staff will provide assistance. If any parts or components arrive damaged, we will do our best to provide a repair kit or replacement parts as soon as possible.

Customer Care: 1-301-247-2881

Please save this manual in the event that you need to contact SwingSesh.

---

 <b>WARNING</b>
Read this manual prior to assembling and using the equipment. Save this manual for future reference.

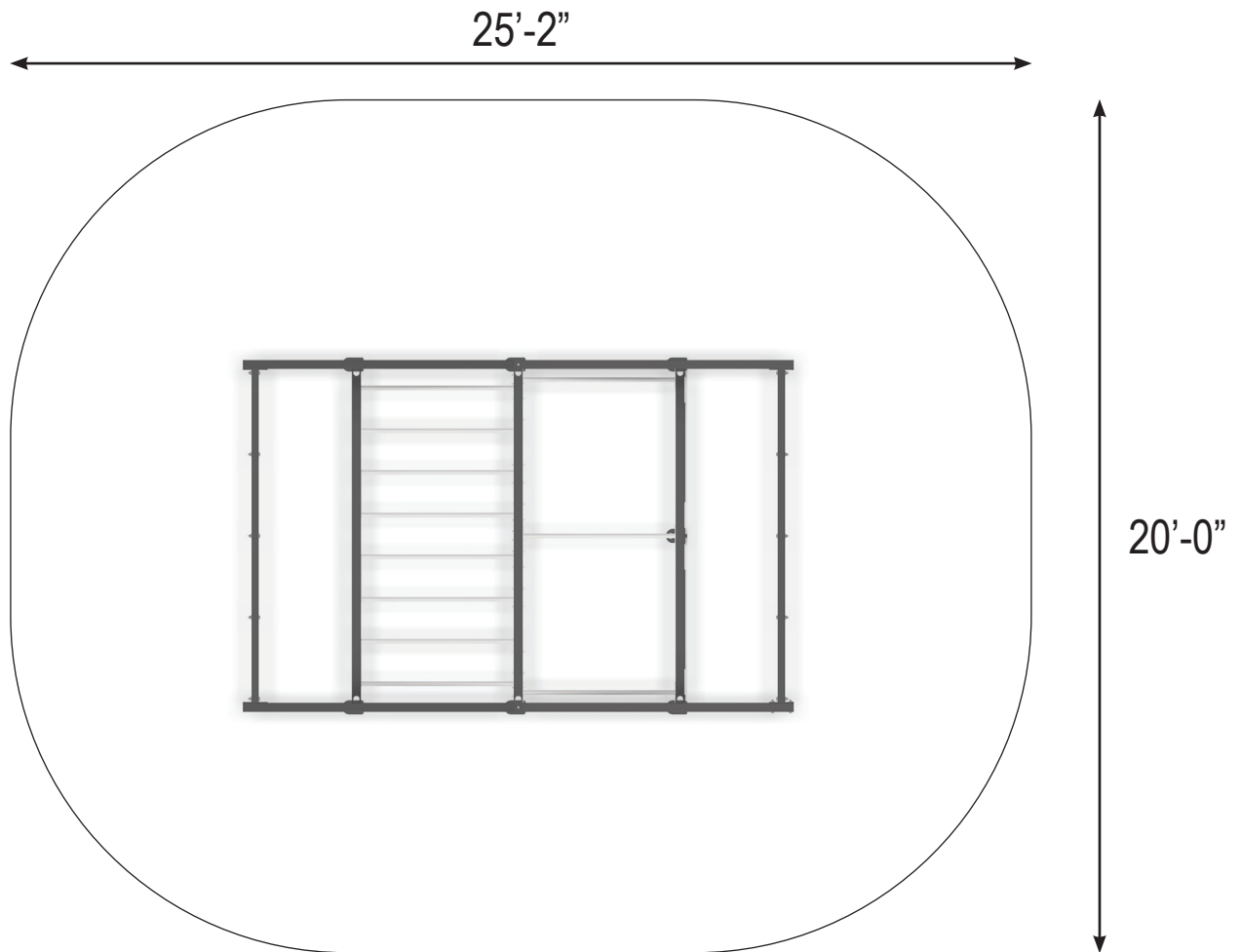
 <b>WARNING</b>
This product must be anchored.

# Before You Begin Installation

Thank you for choosing SwingSesh! SwingSesh products will provide many years of backyard fun and fitness for the entire family. Your SwingSesh comes equipped with warnings and instructions for assembly, care, maintenance, and use. This information must be read by all SwingSesh supervisors and communicated to or read by all users before any person is allowed to use a SwingSesh.

1. Prepare a level site.
2. Ensure you have adequate safety zone, as shown below.
3. Two or more adults capable of heavy lifting are recommended for setup.

## Recommended Safety Zone



# Surfacing Materials

The following information is from Section 4 of the United States Consumer Product Safety Commission's (USCPSC) Outdoor Home Playground Safety Handbook for playground surfacing material. This guide to home playground safety can be downloaded at <https://www.cpsc.gov/s3fs-public/324.pdf>. Section 4 "Select Protective Surfacing" of the USCPSC Outdoor Home Playground Safety Handbook states:

One of the most important things you can do to reduce the likelihood of serious head injuries is to install shock-absorbing protective surfacing under and around your play equipment. The protective surfacing should be applied to a depth that is suitable for the equipment height in accordance with ASTM F1292. There are different types of surfacing to choose from; whichever product you select, follow these guidelines:

## Loose-Fill Materials

- Maintain a minimum depth of 9 inches of loose-fill materials such as wood mulch/chips, engineered wood fiber (EWF), or shredded/recycled rubber mulch for equipment up to 8 feet high; and 9 inches of sand or pea gravel for equipment up to 5 feet high. NOTE: An initial fill level of 12 inches will compress to about a 9-inch depth of surfacing over time. The surfacing will also compact, displace, and settle, and should be periodically refilled to maintain at least a 9-inch depth.
- Use a minimum of 6 inches of protective surfacing for play equipment less than 4 feet in height. If maintained properly, this should be adequate. (At depths less than 6 inches, the protective material is too easily displaced or compacted.)
- Use containment, such as digging out around the perimeter and/or lining the perimeter with landscape edging. Don't forget to account for water drainage.
- Check and maintain the depth of the loose-fill surfacing material. To maintain the right amount of loose-fill materials, mark the correct level on play equipment support posts. That way you can easily see when to replenish and/or redistribute the surfacing.
- Do not install loose fill surfacing over hard surfaces such as concrete or asphalt.

## Poured-In-Place Surfaces or Pre-Manufactured Rubber Tiles

You may be interested in using surfacing other than loose-fill materials—like rubber tiles or poured-in-place surfaces. Installations of these surfaces generally require a professional and are not "do-it-yourself" projects.

- Review surface specifications before purchasing this type of surfacing. Ask the installer/ manufacturer for a report showing that the product has been tested to the following safety standard: ASTM F1292 Standard Specification for Impact Attenuation of Surfacing Materials within the Use Zone of Playground Equipment. This report should show the specific height for which the surface is intended to protect against serious head injury. This height should be equal to or greater than the fall height—vertical distance between a designated play surface (elevated surface for standing, sitting, or climbing) and the protective surfacing below—of your play equipment.
- Check the protective surfacing frequently for wear.

# Safety Precautions

1. It is the responsibility of the owner and supervisors of this equipment to make sure all users obey the safety instructions printed in this manual.
2. This product is intended for use by children and adults twelve years of age and over.
3. Use this equipment only as described in this manual.
4. Children should only use the equipment under adult supervision.
5. Total weight capacity is 2500 pounds.
6. Place the equipment on level ground, not less than 6-ft (1.8-m) from any structure or obstruction such as a fence, garage, house, overhanging branches, laundry lines, or electrical wires.
7. Do not install the equipment over concrete, asphalt, packed earth, grass, carpet, or any other hard surface. A fall onto a hard surface can result in serious injury or death to the equipment user.
8. It is recommended that the equipment be placed on a shock-absorbing surface. Shredded bark mulch, wood chips, fine sand, or fine gravel are considered to be acceptable shock absorbing surfaces when installed and maintained at a sufficient depth under and around the equipment.
9. It is recommended that the equipment be anchored to the ground. Be certain that all anchoring devices are placed below the level of the playing surface or below ground to prevent tripping.
10. Do not let anyone use equipment until completely and properly assembled and anchored.
11. Always inspect the equipment before it is used and replace any worn, defective, or missing parts.
12. To prevent entanglement and strangulation, dress children appropriately using well-fitting shoes and avoiding ponchos, scarves, jackets with neck drawstrings, cord-connected items, helmets with straps and other loose-fitting clothing that is potentially hazardous while using the equipment. These items can cause death by strangulation.
13. Adult supervisors must teach children the following: not to walk close to, in front of, behind, or between moving items; not to twist swing chains or ropes or loop them over the top support bar since this may reduce the strength of the chain or rope; to avoid swinging empty seats; to sit in the center of the swings with their full weight on the seats; not to use the equipment in a manner other than intended; not to get off equipment while it is in motion; not to climb when equipment is wet; and not to attach items to the equipment that are not specifically designed for use with the equipment.
14. When the equipment is to be retired from service, disassemble and dispose of it in such a way that no unreasonable hazards will exist. Follow your local disposal requirements.

# Maintenance Checklist

**At the beginning of play season:**

Date: \_\_\_\_\_

- Tighten all hardware, including earth anchors.
- Lubricate swing pendulums.
- Check all moving parts including swing seats and chains for wear, rust, or other deterioration. Replace as needed.
- Check metal parts for rust. If found, sand and repaint using a nonlead-based paint meeting the requirements of 16 CRF 1303.
- Reinstall any plastic parts, such as swing seats or any other items that were removed for the cold season.
- Rake and check depth of loose fill protective surfacing materials to prevent compaction and to maintain appropriate depth. Replace as necessary.

**Twice a month during play season:**

Date: \_\_\_\_\_

- Rake and check depth of loose fill protective surfacing materials to prevent compaction and to maintain appropriate depth. Replace as necessary.

**Once a month during play season:**

Date: \_\_\_\_\_

- Tighten all hardware, including earth anchors as needed.
- Lubricate pendulums.
- Check all moving parts including rings, swing seats, and chains for wear, rust, or other deterioration. Replace as needed.

**At the end of each play season or when the temperature drops below 0° F:**

Date: \_\_\_\_\_

- Remove plastic accessories.
- Rake and check depth of loose fill protective surfacing materials to prevent compaction and to maintain appropriate depth. Replace as necessary.

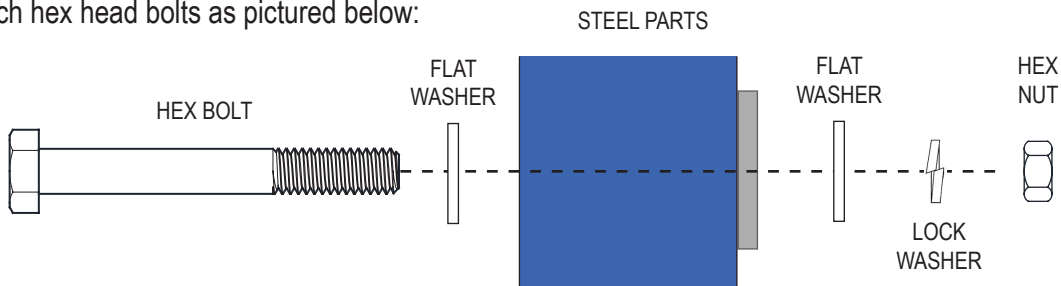
Copy this section as needed and maintain for your records.

Owner shall be responsible for maintaining the legibility of any warning labels.

# Assembly Instructions

- Before you begin assembly, ensure your selected site has adequate clearance for the safety zone and prepare a level surface. Two adults needed to assemble. It will be very difficult to move your SwingSesh once assembled, so it is important to place the feet in their intended assembled location during installation.
- Assemble all parts on a non-scratch surface to prevent damaging the finish.
- It is important to follow the bolt direction and bolt tightening sequence as indicated in the illustrations. **DO NOT OVERTIGHTEN BOLTS AS TUBING CAN DISFIGURE.** Make sure all fasteners used are as specified. Using a fastener not specified in a particular application may result in too much thread exposure or not enough thread engagement.

Attach hex head bolts as pictured below:



## Tools Required



OR



OR

1 x 1 1/2" open end wrench &  
1 x ratchet with 1 1/2" socket





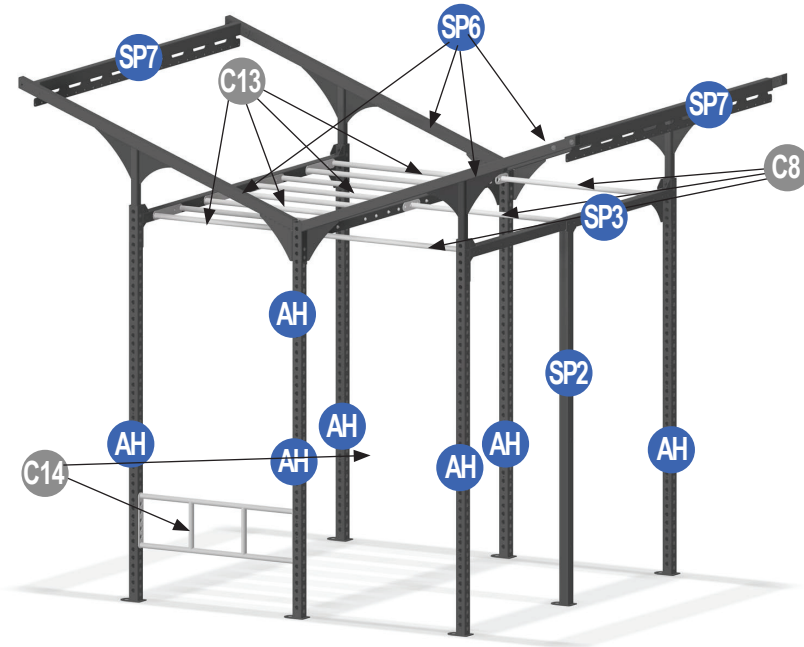
# Steel Parts Identification

## POSTS

<b>AH</b>	Holed Post 8ft
<b>SP2</b>	Climbing Wall Post
<b>SP3</b>	Spartan Beam
<b>SP6</b>	Cantilever Tube
<b>SP7</b>	Ring Bar
<b>SP8</b>	Climbing Wall Bracket

## BARS

<b>C8</b>	Pull Up/Lache Bar
<b>C13</b>	Monkey Bar Rungs
<b>C14</b>	Braced Rungs



# Components



(D1)

Earth Anchors



(D5)

Rings



(D6)

Grip Cones



(D7)

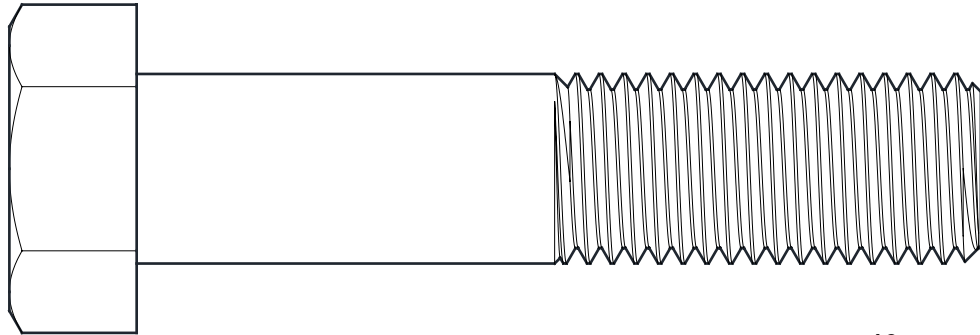
8'x8' Climbing Net

# Hardware

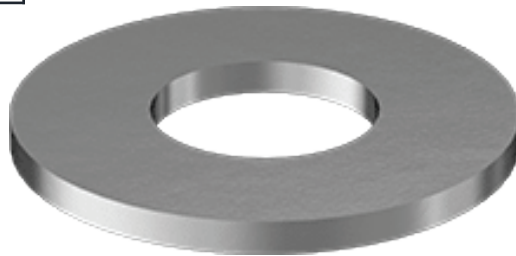
(Shown actual size)

## 1"-8 HARDWARE

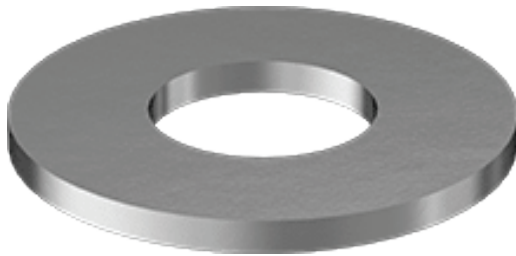
16 x 4 1/2" bolts



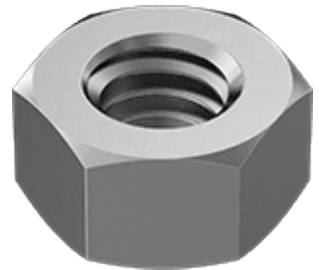
12 x narrow washers



20 x regular washers



16 x nuts



16 x split lock washer

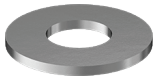


## 5/16"-18 HARDWARE

28 x 3 1/4" bolt



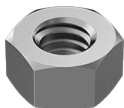
56 x 5/16" washers



28 x 5/16" split lock washers



28 x 5/16" nuts



**Cantilever Hardware**

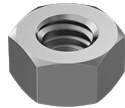
1 Cantilever Lane (2 Cantilever Lanes)

**3/8"-16 HARDWARE**

4 (8) x 3 3/4" bolt



4 (8) x 3/8" nuts



8 (16) x 3/8" washers

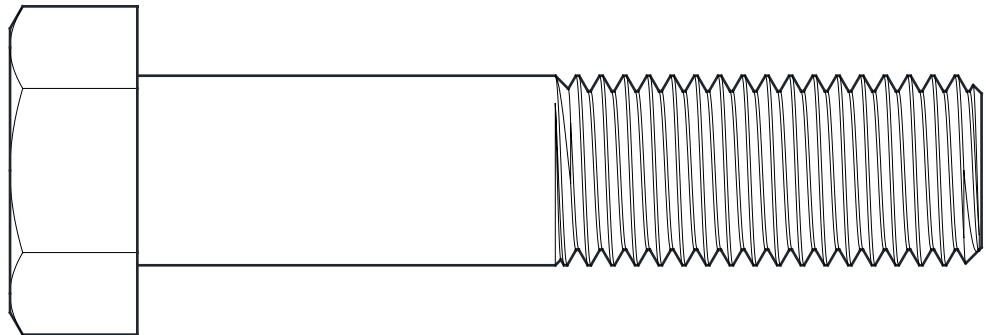


4 (8) x 3/8" split lock washers

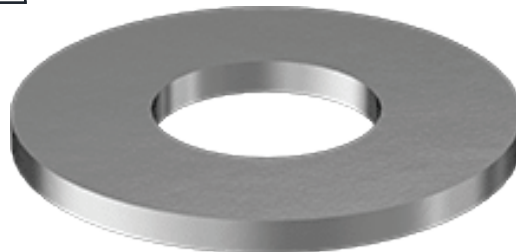


**1"-8 HARDWARE**

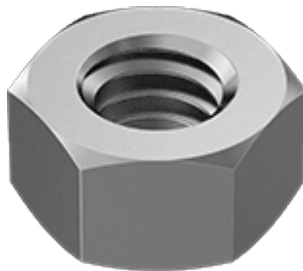
4 x 4 1/2" bolts



8 x narrow washers



4 x nuts



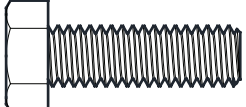

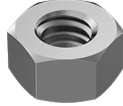
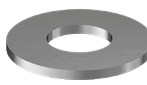


4 x split lock washer



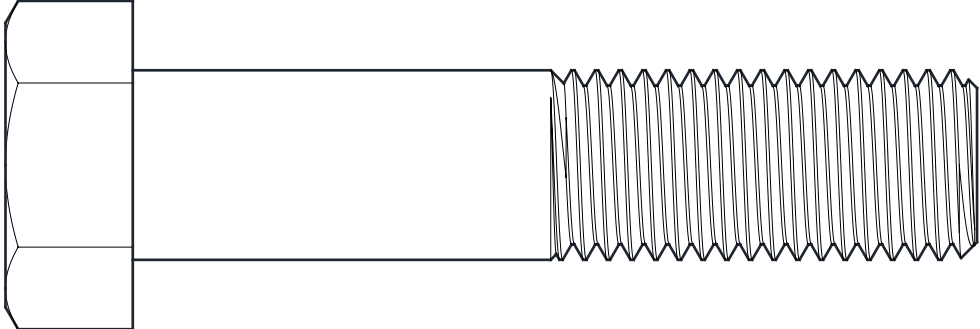
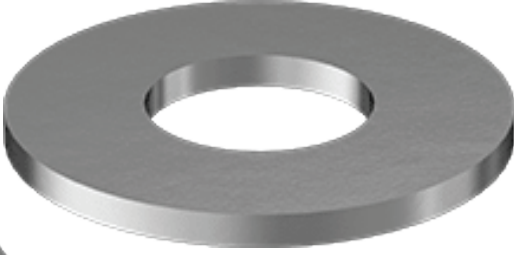
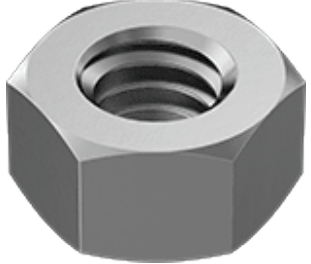

**Climbing Wall**

4'x8' Wall (8'x8' Wall)





**5/16"-18 HARDWARE**

- 28 (56) x 1 1/4" bolt 
- 8 (11) x 3 1/2" bolt 
- 8 (11) x 5/16" nuts 
- 72 (134) x 5/16" washers 
- 28 (56) x 5/16" cap nuts 
- 36 (67) x 5/16" split lock washers 

**1"-8 HARDWARE**

- 4 (8) x 4 1/2" bolts 
- 8 (16) x washers 
- 4 (8) x nuts 
- 4 (8) x split lock washer 

**HOLDS HARDWARE**

- 30 (60) x tee nut inserts 
- 30 (60) x 1 1/4" stainless socket head screw 
- 30 (60) x #8 x 7/8" stainless screws 
- 1 x 8mm hex key wrench 

**Climbing Net 8x8' Hardware**

**9 x** stainless steel  
snap hooks



**4 x** stainless steel ring  
with cross bar

## STEP 1 Monkey Bars

**PARTS REQUIRED:**

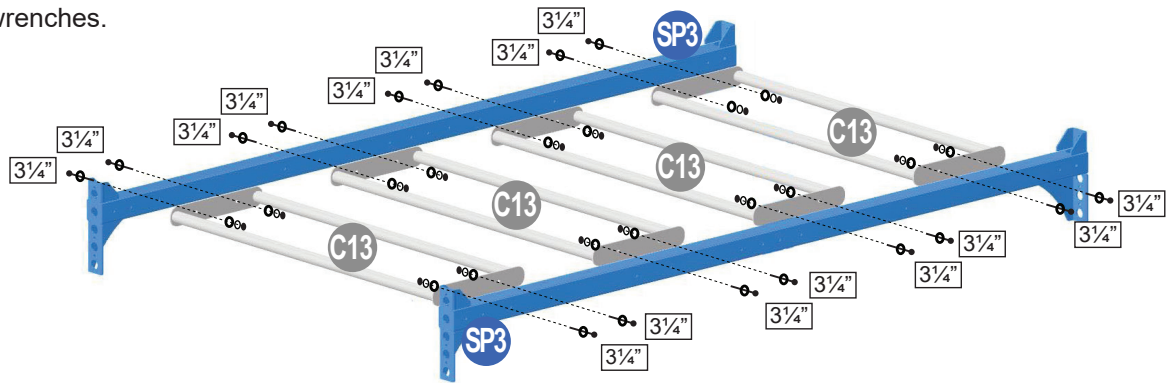
- SP3** x2 Spartan Beam
- C13** x4 Double Rungs
- AH** x2 Posts with 1-in Holes
- C14** x2 Braced Ladder

**HARDWARE REQUIRED:**

- x16** 3/4" bolts (5/16"-18), 2 washers, lock washer, nut
- x2** 4 1/2" bolts (1"-8), 2 regular washers, lock washer, nut
- x4** 4 1/2" bolts (1"-8), 1 regular washer, 1 narrow washer, lock washer, nut

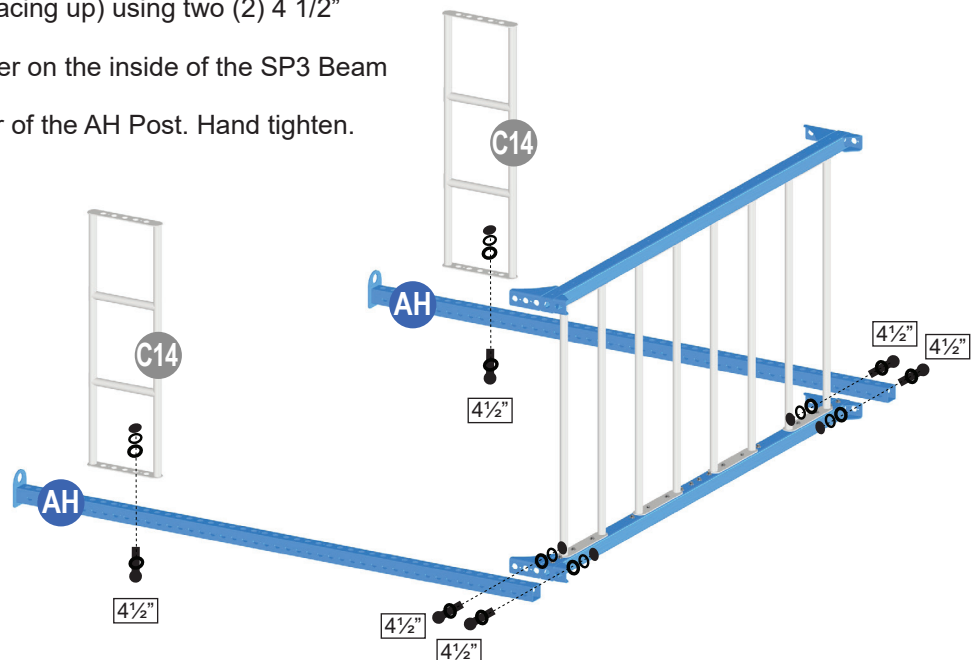
### STEP 1a

- Bolt together the Monkey Bar Assembly (SP3 and C13 parts) as shown using sixteen (16) 3/4" bolt sets. Tighten all using wrenches.



### STEP 1b

- Turn the monkey bar assembly 90 degrees so it is sitting on edge. Attach two (2) AH Posts (with feet facing up) using two (2) 4 1/2" oversized bolts. Use a narrow washer on the inside of the SP3 Beam and a regular washer on the exterior of the AH Post. Hand tighten.
- Attach a C14 Braced Rung to each AH Post at the desired height using one (1) 4 1/2" long oversized bolt (with regular washers) on each post. To prevent rotation, install C14 with the bolts offset from one another on either side; do not install bolts in the middle hole.



## STEP 2 Cantilever Lanes

### PARTS REQUIRED:

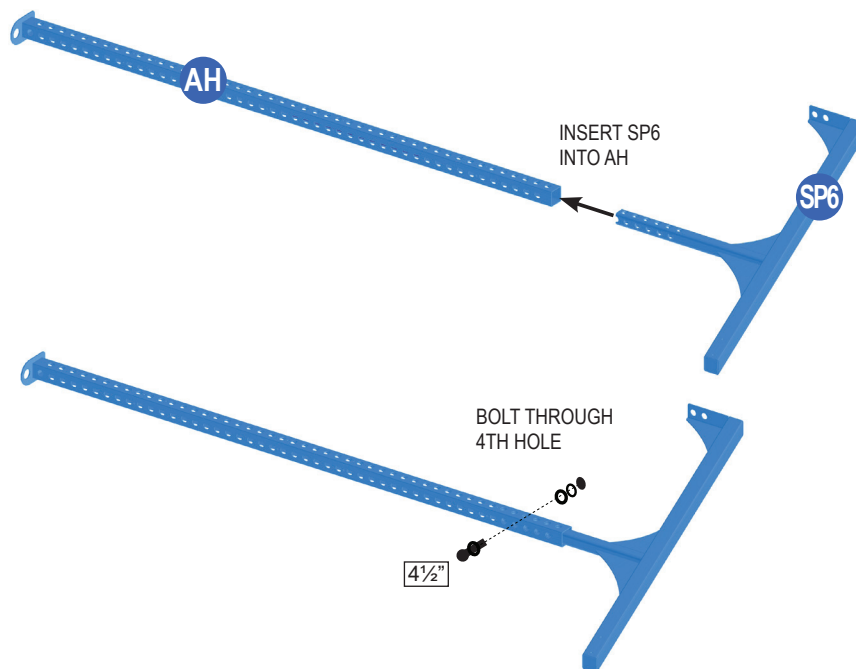
- AH** x2 Posts with 1-in Holes
- SP6** x2 Cantilever Tube
- SP7** x1 Ring Beam

### HARDWARE REQUIRED:

- x? 4½" bolts (1"-8), 2 regular washers, lock washer, nut
- x? 4½" bolts (1"-8), 1 regular washer, 1 narrow washer, lock washer, nut
- x? 3½" bolts (3/8"-16), 2 washers, lock washer, nut

### STEP 2a

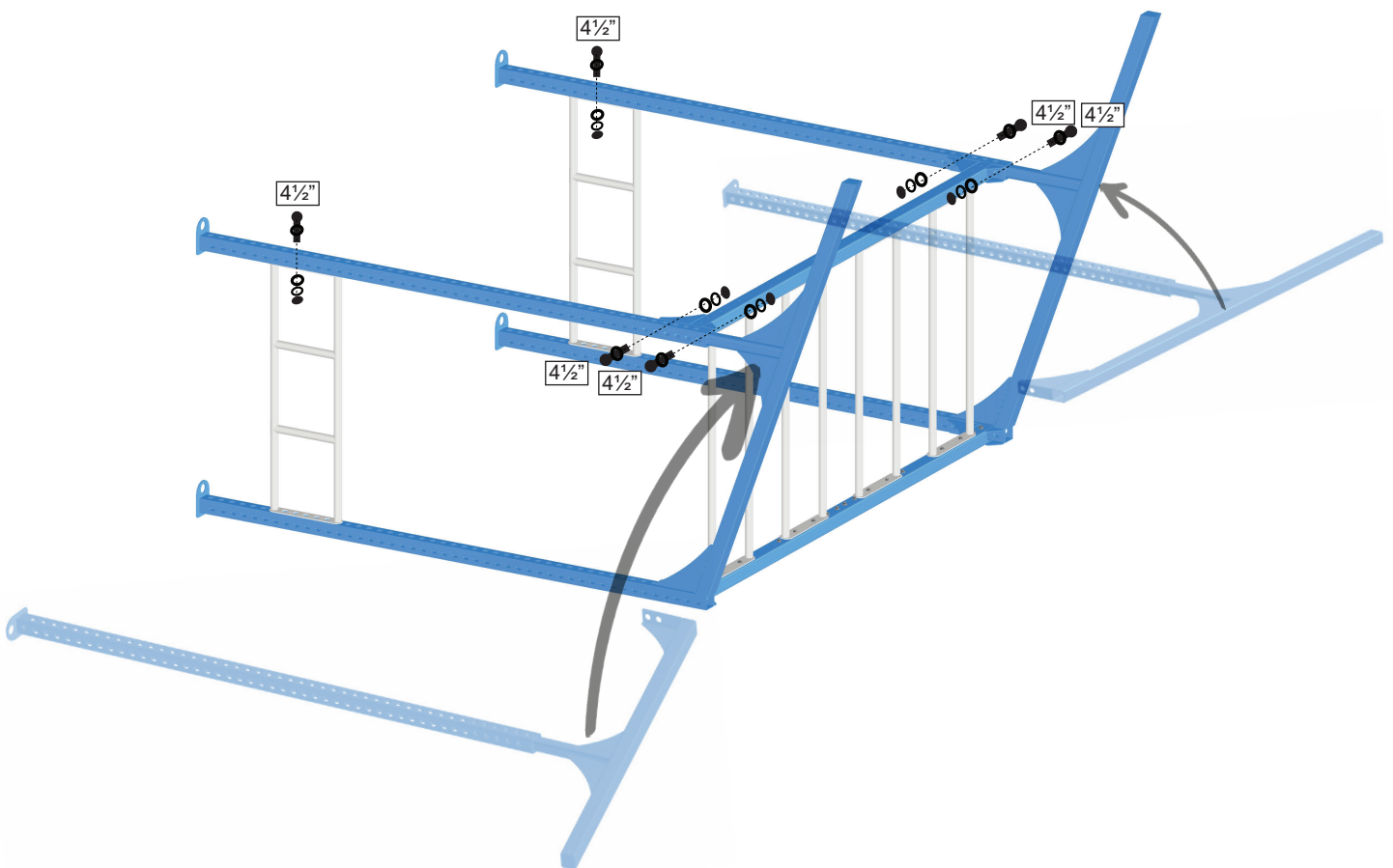
- Flat on the ground, insert the SP6 Cantilever Beam into one of the remaining AH Posts as shown until the bottom hole of the SP6 aligns with the fourth hole of the AH Post. Note the direction of the feet on the AH Posts; if attaching to another SwingSesh model, all feet must align in the same direction as the existing set. In the final assembled position, all feet will face the same direction.
- Loosely bolt this together parallel to the SP6 Cantilever Tube; this bolt will be removed later.



## STEP 2 (Continued)

### STEP 2b

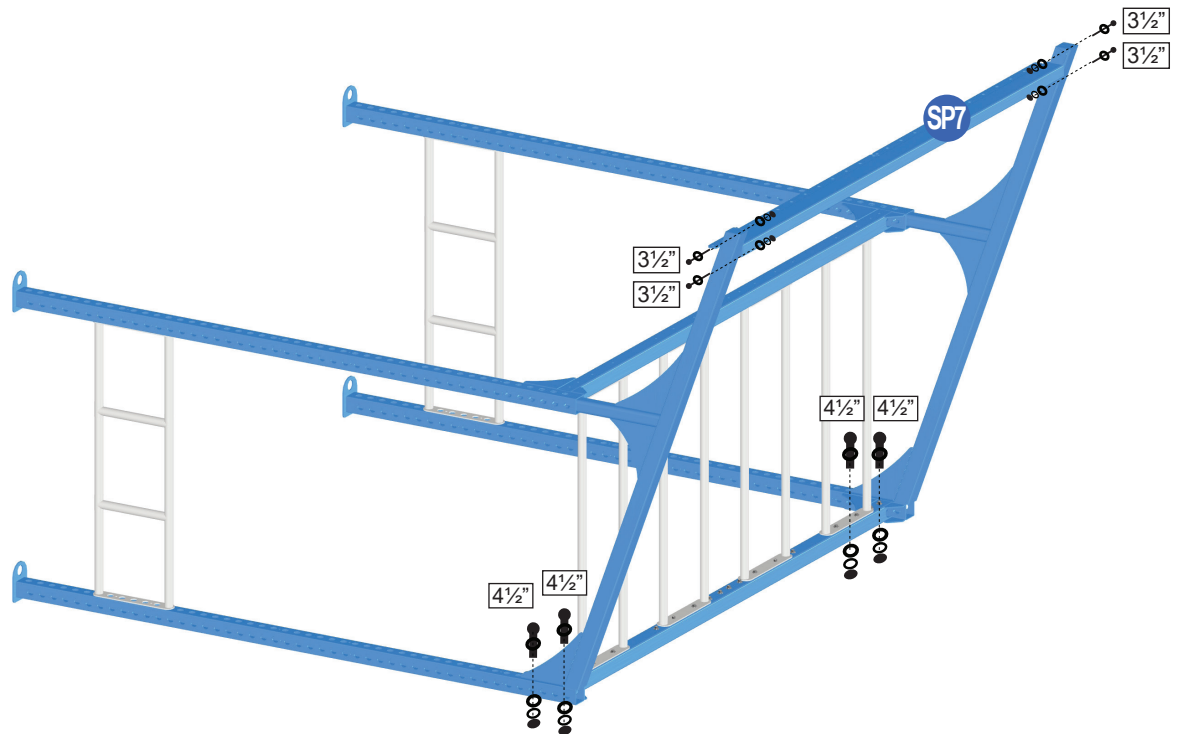
- Align the two assembled SP6-AH from Step 2a in their respective places adjacent to the previously assembled Monkey Bar assembly from Step 1. On each side, rotate the SP6-AH assembly ninety degrees into position and on top of the AH Post on the ground.
- Use two (2) 4 1/2 inch long (1"-8) bolts on each side to bolt the AH-SP6 Assembly to the SP3 Beam.
- Bolt the C14 Braced Ladder to the AH Post using one (1) 4 1/2 inch bolt with regular washers. Place this bolt diagonal from the bolt on the opposite side of the part; do not use the center hole.





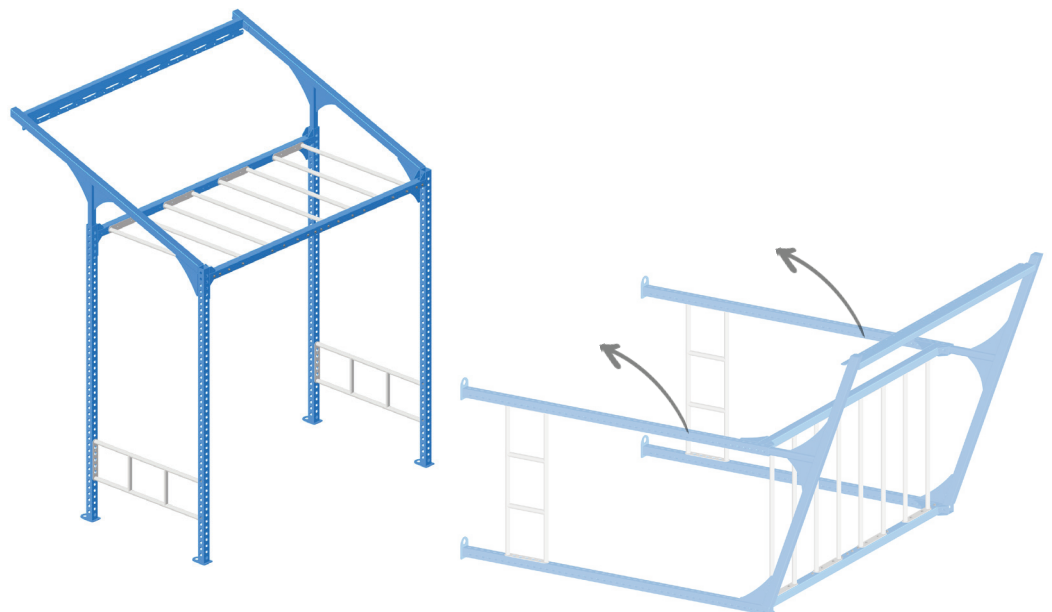
**STEP 2c**

- Using two (2) 4 1/2 inch bolts on each side, bolt the SP6 Cantilever Beam to the bottom AH Post and hand tighten.
- Insert the SP7 Ring Bar between the two SP6 Cantilevers and attach using two (2) 3 1/2 inch long (3/8"-16) bolts on either end. Tighten all eight bolts with wrenches.



**STEP 2d**

- With two or three people, stand the entire assembly up and into place.



## STEP 3 Assemble the Opposite Side

**PARTS REQUIRED:**

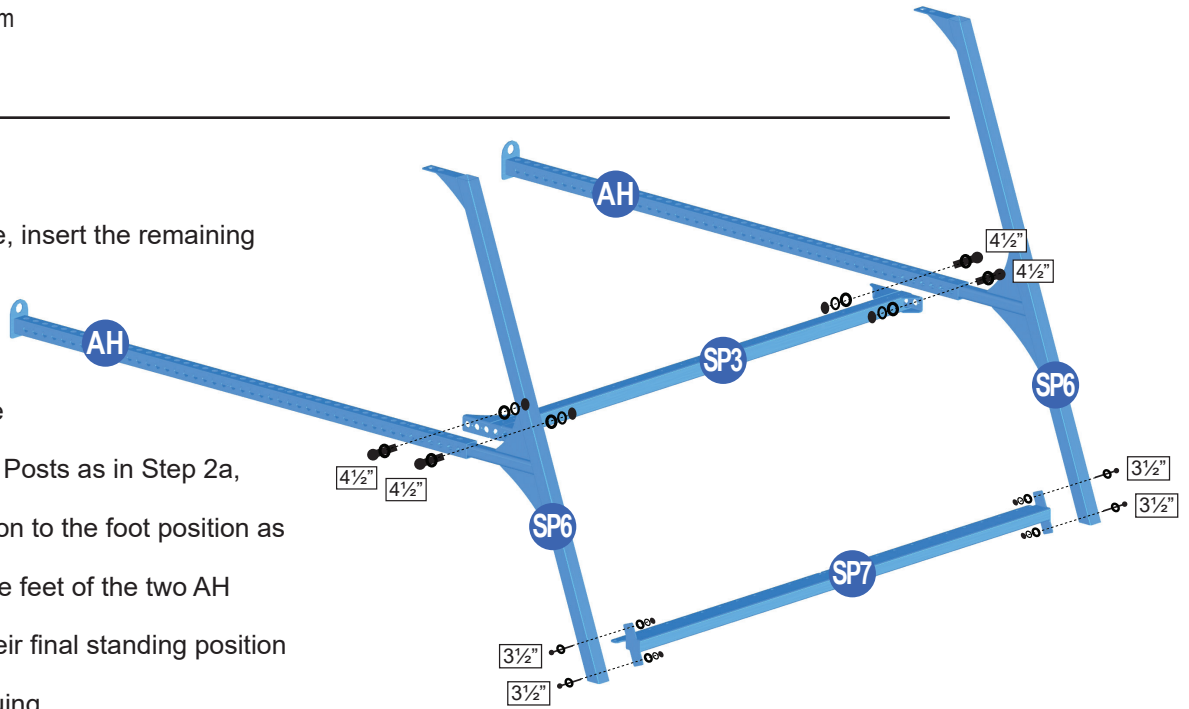
- SP6** x2 Cantilever Tube
- AH** x2 Posts with 1-in Holes
- SP3** x1 Spartan Beam
- SP7** x1 Ring Bar

**HARDWARE REQUIRED:**

- x4 4 1/2" bolts (1"-8), 1 regular washer, 1 narrow washer, lock washer, nut
- x4 3 1/2" bolts (3/8"-16), 2 washers, lock washer, nut

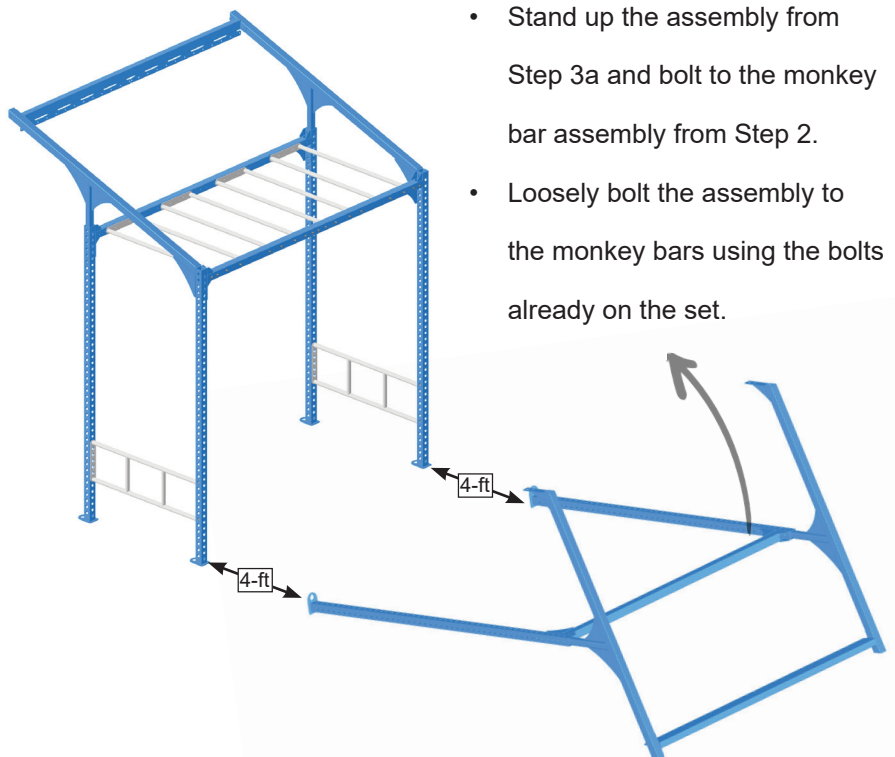
**STEP 3a**

- For either side, insert the remaining SP6 Cantilever Tubes into the remaining AH Posts as in Step 2a, paying attention to the foot position as shown. Put the feet of the two AH Posts near their final standing position before continuing.
- Align the SP3 Beam between the two AH Posts and attach using two (2) 4 1/2 inch long (1"-8) bolts (regular washer on the outside of the AH; narrow washer on the inside of the SP3 Beam) on either side.
- Align the SP7 Ring Bar between the SP6 Cantilever Tubes and attach with two (2) 3 1/2 inch long (3/8"-16) bolts on either end.



**STEP 3b**

- Stand up the assembly from Step 3a and bolt to the monkey bar assembly from Step 2.
- Loosely bolt the assembly to the monkey bars using the bolts already on the set.



## STEP 4 Attach Lache Bars

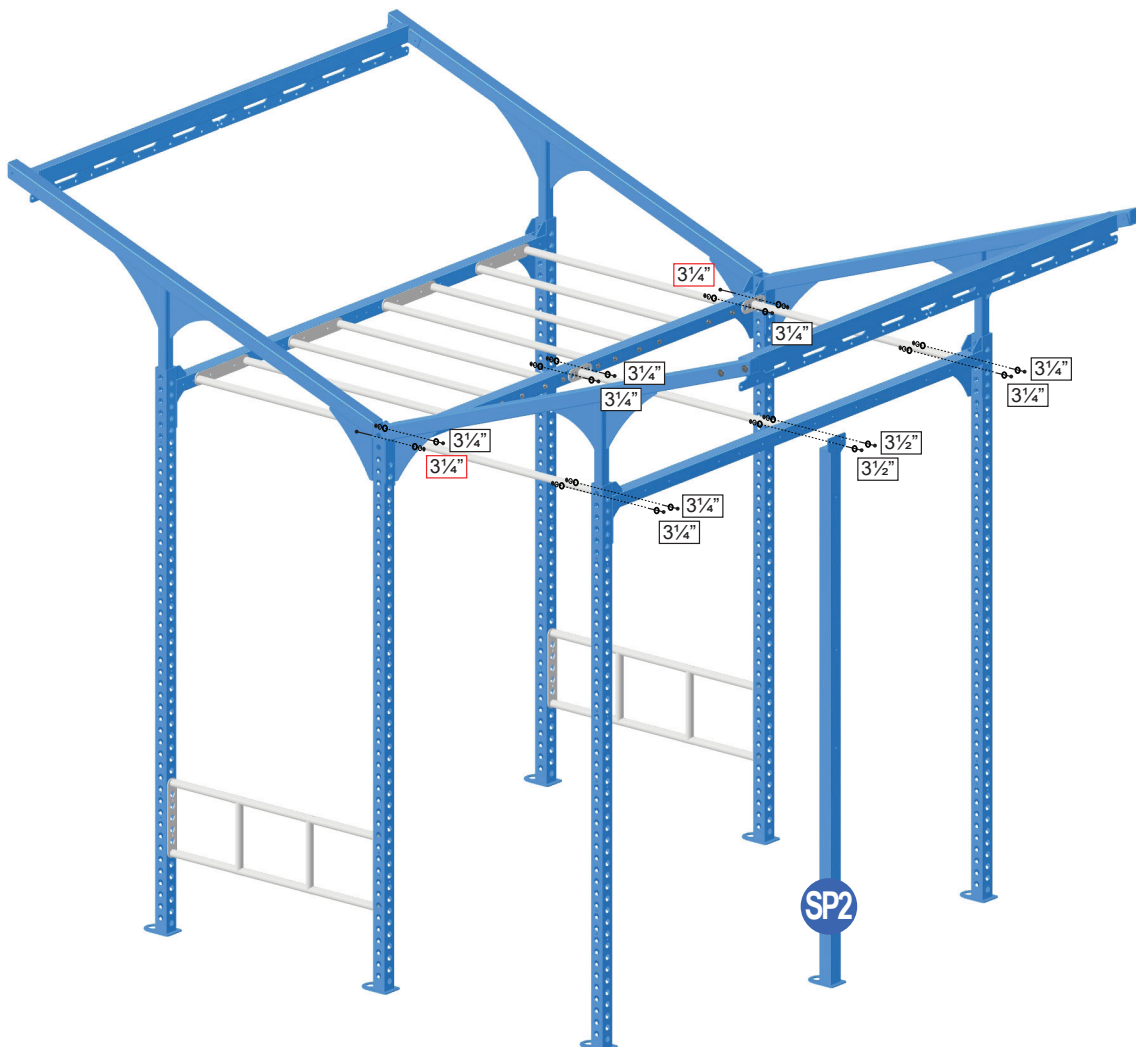
**PARTS REQUIRED:**

- C9** x3 Lache Bars
- SP2** x1 Climbing Wall Post

**HARDWARE REQUIRED:**

- x10** 3/4" bolts (5/16"-18), 2 washers, lock washer, nut
- x2** 3/2" bolts (5/16"-18), 2 washers, lock washer, nut

- Insert the three C9 Lache Bars between the two SP3 Beams and bolt together using 3 1/4" long (5/16"-18) bolts. The two bolts highlighted in red do not have a flat washer
- If installing climbing walls, the bolts for the center C9 Lache Bar also go through the SP2 Climbing Wall Post using 3 1/2" long (5/16"-18) bolts.
- Tighten all bolts.



## STEP 5 Assemble Climbing Walls

**PARTS REQUIRED:**

- SP8** x10 Climbing Wall Brackets
- Climbing Wall Panels
- Climbing Wall Holds

**HARDWARE REQUIRED:**

- x10** 3 1/2" bolts (5/16"-18), 2 washers, lock washer, nut
- x8** 4 1/2" oversized bolt, 2 washers, lock washer, nut
- x56** 1 1/4" bolts (5/16"-18), 2 washers, lock washer, nut

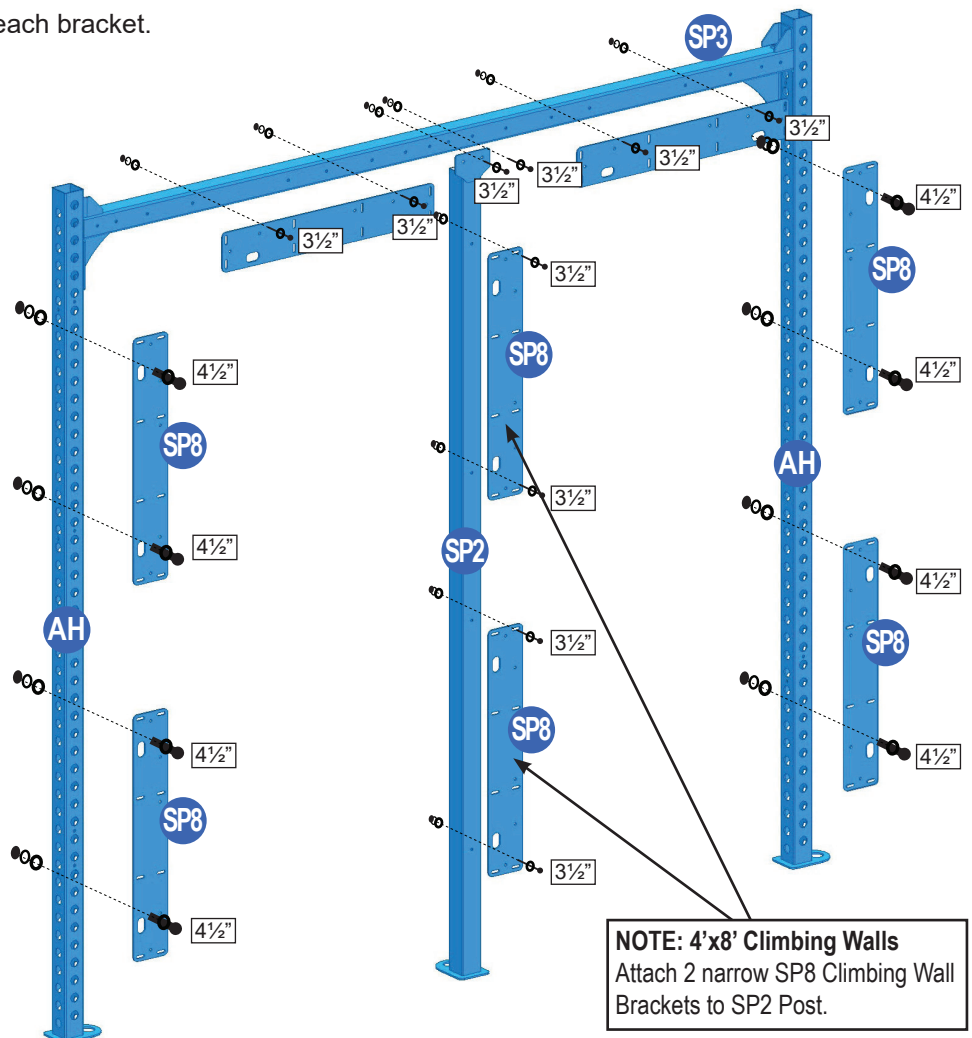
### STEP 5a

- The climbing walls can be installed on either side of the SpartanSesh Cube or Adult Monkey Bars. If attaching to a larger system, the side the wall is placed on may be specified. If not installing climbing walls, the SP8 Post is not required.
- Align the SP8 Climbing Wall Brackets as shown below, carefully noting the orientation of each bracket. Attach the top two SP8 Brackets to SP3 Beam using two (2) 3 1/2" bolts on each SP8 Bracket (depending on configurations (monkeybar vs lache) some bolts may be replaced). Attach the two middle SP8 Brackets to SP2 Post using two (2) 3 1/2" bolts on each bracket.

Loosely attach each SP8

Bracket, leaving room to adjust them slightly once the climbing panels are attached.

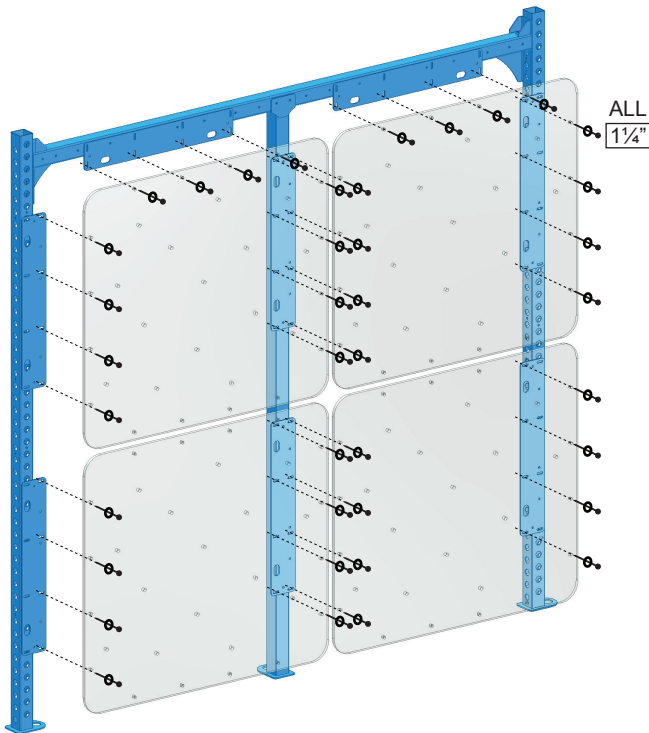
- Attach the remaining four SP8 Brackets to the AH Posts using two (2) 4 1/2" oversized bolts on each bracket. The top hole of the upper SP8 Bracket should align to the 9th hole down from the top of the AH Post. The bottom hole of the lower SP8 Bracket should align to the 8th hole from the bottom of the AH Post..



**NOTE: 4'x8' Climbing Walls**  
Attach 2 narrow SP8 Climbing Wall Brackets to SP2 Post.

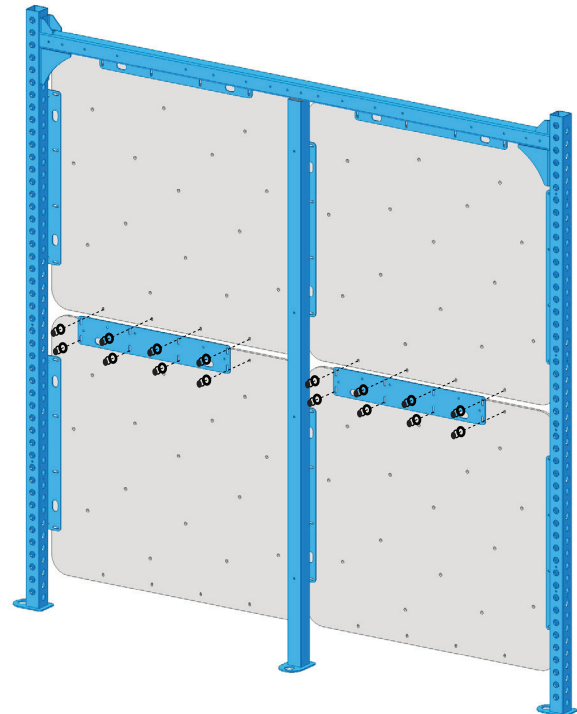
**STEP 5b**

- Attach the Climbing Wall Panels to the SP8 Brackets using 1 1/4" bolts through the slotted holes. Tighten only enough to collapse the lock washer; the panels will expand and contract due to temperature changes.



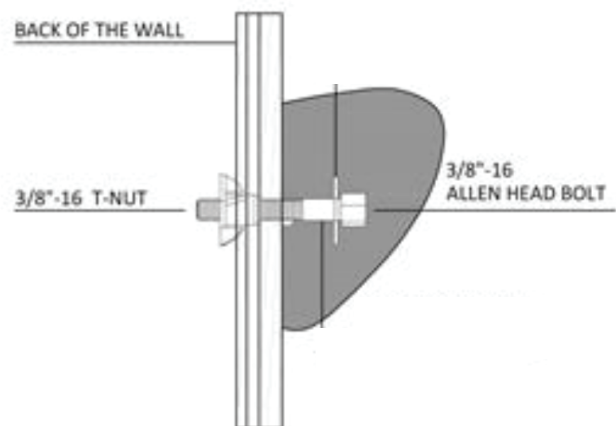
**STEP 5c**

- On the back side of the wall, align the remaining two SP8 Brackets. Attach using sixteen (16) 1 1/4" bolts, inserted from the front side.
- Adjust the positioning of the walls to the exact location and tighten all bolts from previous steps using wrenches.



**STEP 5d**

- Attach the Climbing Holds to the Climbing Wall Panels using one (1) 1 1/4" socket head screw and one (1) Tee nut insert for each hold.
- Place the bolt through the hold, then align the bolt through the hole in the Panel. Align a Tee nut on the back side of the board. Thread the bolt into the Tee nut. Using the 5/16" hex drive provided, tighten the bolt until Tee nut sinks flush with the face of the Panel.



## STEP 6 Assemble the Climbing Net

**PARTS REQUIRED:**

Climbing Net 8'x8'

25' section of 550 cord

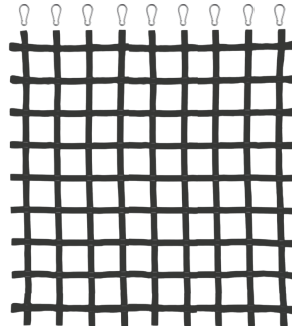
**HARDWARE REQUIRED:**

x9 Snap Hooks

x4 Rings with cross bar

**STEP 6a: Attach the Snap Hooks to the Net & Hang**

- Lay the net out flat and insert the nine (9) snap hooks along one side in each of the tabs. The net is the same on all sides; the side with the snap hooks becomes the top.
- Once all the snap hooks are attached, align the top edge of the net to the beam SP3 it will hang from. Loop the snap hooks over the beam and



**STEP 6b: Tie a Knot on the Ring**

- Cut the cord in half. At one end of the cord, tie a knot as shown around the ring with cross bar.
- Repeat for the second section of cord.



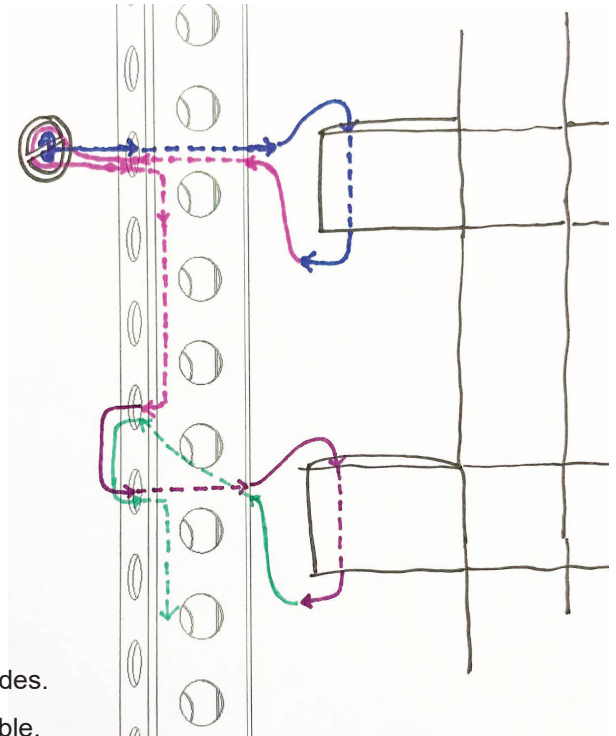
**STEP 6c: Attach the Net to the Post Using Cord**

**3a:** Align the ring to first horizontal loop of the net, which is approximately the fourth hole from the top of the post on the outside of the AH post. Feed the cord horizontally through the post, then through the strap loop in the climbing net.

**3b:** Feed the cord back through the same post holes, around the bar of the ring, and then feed it down the interior of the post.

**3c:** Exit the post (away from net) four holes down or just above the next strap loop. Feed the cord through the next hole down through the post and through the strap loop in the climbing net.

**3d:** Enter the post through the same hole and then angle out one hole higher. Feed the cord back in one hole lower and down the interior of the post.



**STEP 6d: Tie a Knot on the Ring**

- Tie the same knot shown above at the end of the cord on both sides. Pull the knot as close as possible so the cord is as tight as possible.
- The bottom of the climbing net hangs free.

**STEP 7 Insert Earth Anchors**

**PARTS REQUIRED:**

- **(D1)** Earth Anchors

- Insert Earth Anchors **(D1)** through holes in feet of all Posts **(AH)**.
- Use a 1/2" drive to screw the anchors into place. Anchors must be placed below the level of the playing surface to prevent tripping or injury resulting from a fall.
- Earth anchors provided may not be adequate in certain soil types and the equipment may need to be anchored with larger anchors or concrete footers. It is the owner's responsibility to ensure the set is securely anchored.

**STEP 8 Attach Rings & Cones**

**PARTS REQUIRED:**

- **(D5)** Rings
- **(D6)** Grip Cones

- Using a ladder, attach the ring and cones to the desired position along the SP7 Ring Bar using the snap hooks provided.

# Limited Warranty

**We are confident in the quality of our products and dedicated to providing products that meet or exceed expectations.**

Subject to proper installation and normal residential use, SwingSesh warrants to the original purchaser all accessories to be free from defects in material and workmanship for a period of one year from date of purchase. Accessories will be repaired or replaced, at our option, and returned to the customer.

In addition, for a period of five years during which the original purchaser owns the set, SwingSesh warrants to the original owner all above ground steel components against structural failure. Steel components covered under this limited warranty will be replaced, free of charge, excluding freight and labor fees. Installation of any components or accessories will be the responsibility of the original purchaser.

SwingSesh reserves the right to examine photographs or physical evidence of merchandise claimed to be defective, and to recover said merchandise prior to disposition of warranty claims. No warranty is offered on equipment subjected to abuse, negligence, improper installation, vandalism, acts of God, unauthorized alteration or attachment of equipment other than our own, or improper use, service or repair by customer or any third party. This warranty does not cover normal wear and tear or color fading.

SwingSesh's sole liability under this warranty is strictly limited to the repair or replacement of any defective product. In no event shall SwingSesh's liability under this warranty exceed the actual cost of materials necessary for repair or replacement of the product covered, whichever is less. SwingSesh shall not be liable for incidental, indirect, or consequential damages caused by its products. Please supervise your children's play activity and maintain your play equipment periodically.

# Return Policy

**Thank you for being a valued customer of SwingSesh! Our goal is for every customer to be completely satisfied with their purchase, but we understand that occasionally this may not be the case and products may need to be returned.**

SwingSesh accepts the return of new, unused products that are unopened and in their original packaging. Please do not assemble or modify a product that you wish to return. Returns must be authorized and received within 30 days of delivery. For small parcel returns (apparel, accessories, etc), we do not require prior authorization, but returns must be received within 30 days of delivery.

Return shipping costs are the responsibility of the customer. We recommend that you insure return shipments and obtain tracking information. SwingSesh cannot be issued in full for items damaged in return shipping or items that are not received.

The return address is: SwingSesh LLC, 838 21 1/2 Rd, Grand Junction CO 81505

A credit will be issued following the receipt of the returned items. All items are inspected to ensure that they are received in new condition, without damage, before a return is processed. Please allow 3-5 business days, after the return is received, to see the credit on your account. Return credit will be issued via the original payment method.

Please note that shipping charges are non-refundable. If products were shipped with free shipping the refund for the product will be less the actual shipping costs. SwingSesh reserves the right to reject any return that does not meet the return standards and may charge a re-stocking fee for returns up to 20% of the product cost.