

Installation, Maintenance, & User Manual

SimpleSesh Model SS3



WARNING

Read all precautions and instructions in this manual before using this equipment. Save this manual for future reference and in the event that the manufacturer has to be contacted.

Maximum fall height: 8'-0"

SUITABLE FOR USERS AGE 12+



13385 Joy Road

Lusby, MD 20657

www.swingsesh.com

Contents

Before You Begin Installation	2
Playground Surfacing Materials	3
Safety Precautions	4
Maintenance Information	5
Limited Warranty & Return Policy	6
Assembly Instructions	7
Tools Required	8
Parts Identification	8
Hardware	9

Replacement Parts or Questions

If you have questions after reading this manual, please call our Customer Care Team and our staff will provide assistance. If any parts or components arrive damaged, we will do our best to provide a repair kit or replacement parts as soon as possible.

Customer Care: 1-301-247-2881

Please save this manual in the event that you need to contact SwingSesh.

 **WARNING**

Read this manual prior to assembling and using the equipment. Save this manual for future reference.

 **WARNING**

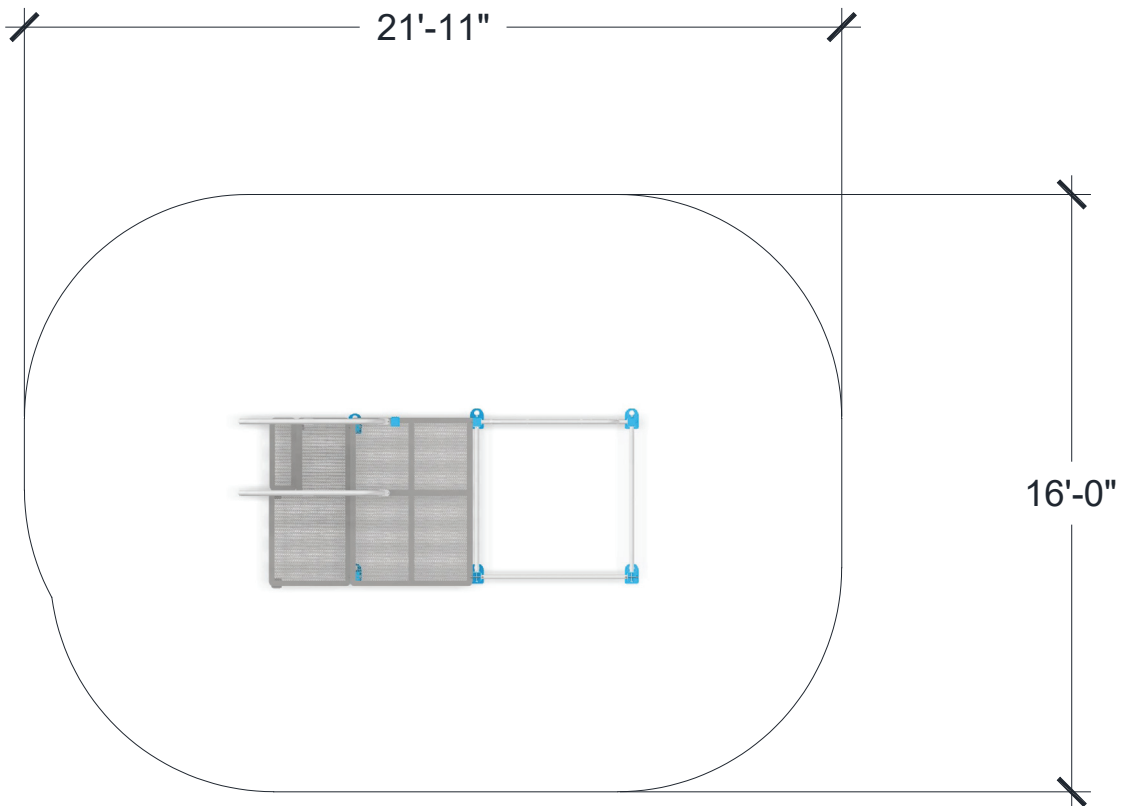
This product must be anchored.

Before You Begin Installation

Thank you for choosing SwingSesh! SwingSesh products will provide many years of backyard fun and fitness for the entire family. Your SwingSesh comes equipped with warnings and instructions for assembly, care, maintenance, and use. This information must be read by all SwingSesh supervisors and communicated to or read by all users before any person is allowed to use a SwingSesh.

1. Prepare a level site.
2. Ensure you have adequate safety zone, as shown below.
3. Two or more adults capable of heavy lifting are recommended for setup.

Recommended Safety Zone



Playground Surfacing Materials

The following information is from Section 4 of the United States Consumer Product Safety Commission's (USCPSC) Outdoor Home Playground Safety Handbook for playground surfacing material. This guide to home playground safety can be downloaded at <https://www.cpsc.gov/s3fs-public/324.pdf>. Section 4 "Select Protective Surfacing" of the USCPSC Outdoor Home Playground Safety Handbook states:

One of the most important things you can do to reduce the likelihood of serious head injuries is to install shock-absorbing protective surfacing under and around your play equipment. The protective surfacing should be applied to a depth that is suitable for the equipment height in accordance with ASTM F1292. There are different types of surfacing to choose from; whichever product you select, follow these guidelines:

Loose-Fill Materials

- Maintain a minimum depth of 9 inches of loose-fill materials such as wood mulch/chips, engineered wood fiber (EWF), or shredded/recycled rubber mulch for equipment up to 8 feet high; and 9 inches of sand or pea gravel for equipment up to 5 feet high. NOTE: An initial fill level of 12 inches will compress to about a 9-inch depth of surfacing over time. The surfacing will also compact, displace, and settle, and should be periodically refilled to maintain at least a 9-inch depth.
- Use a minimum of 6 inches of protective surfacing for play equipment less than 4 feet in height. If maintained properly, this should be adequate. (At depths less than 6 inches, the protective material is too easily displaced or compacted.)
- Use containment, such as digging out around the perimeter and/or lining the perimeter with landscape edging. Don't forget to account for water drainage.
- Check and maintain the depth of the loose-fill surfacing material. To maintain the right amount of loose-fill materials, mark the correct level on play equipment support posts. That way you can easily see when to replenish and/or redistribute the surfacing.
- Do not install loose fill surfacing over hard surfaces such as concrete or asphalt.

Poured-In-Place Surfaces or Pre-Manufactured Rubber Tiles

You may be interested in using surfacing other than loose-fill materials—like rubber tiles or poured-in-place surfaces. Installations of these surfaces generally require a professional and are not "do-it-yourself" projects.

- Review surface specifications before purchasing this type of surfacing. Ask the installer/ manufacturer for a report showing that the product has been tested to the following safety standard: ASTM F1292 Standard Specification for Impact Attenuation of Surfacing Materials within the Use Zone of Playground Equipment. This report should show the specific height for which the surface is intended to protect against serious head injury. This height should be equal to or greater than the fall height—vertical distance between a designated play surface (elevated surface for standing, sitting, or climbing) and the protective surfacing below—of your play equipment.
- Check the protective surfacing frequently for wear.

Safety Precautions

1. It is the responsibility of the owner and supervisors of this equipment to make sure all users obey the safety instructions printed in this manual.
2. This product is intended for use by children and adults five years of age and over.
3. Use this equipment only as described in this manual.
4. Children should only use the equipment under adult supervision.
5. Total weight capacity is 1000 pounds.
6. Place the equipment on level ground, not less than 6-ft (1.8-m) from any structure or obstruction such as a fence, garage, house, overhanging branches, laundry lines, or electrical wires.
7. Do not install the equipment over concrete, asphalt, packed earth, grass, carpet, or any other hard surface. A fall onto a hard surface can result in serious injury or death to the equipment user.
8. It is recommended that the equipment be placed on a shock-absorbing surface. Shredded bark mulch, wood chips, fine sand, or fine gravel are considered to be acceptable shock absorbing surfaces when installed and maintained at a sufficient depth under and around the equipment.
9. It is recommended that the equipment be anchored to the ground. Be certain that all anchoring devices are placed below the level of the playing surface or below ground to prevent tripping.
10. Do not let anyone use equipment until completely and properly assembled and anchored.
11. Always inspect the equipment before it is used and replace any worn, defective, or missing parts.
12. To prevent entanglement and strangulation, dress children appropriately using well-fitting shoes and avoiding ponchos, scarves, jackets with neck drawstrings, cord-connected items, helmets with straps and other loose-fitting clothing that is potentially hazardous while using the equipment. These items can cause death by strangulation.
13. Adult supervisors must teach children the following: not to walk close to, in front of, behind, or between moving items; not to twist swing chains or ropes or loop them over the top support bar since this may reduce the strength of the chain or rope; to avoid swinging empty seats; to sit in the center of the swings with their full weight on the seats; not to use the equipment in a manner other than intended; not to get off equipment while it is in motion; not to climb when equipment is wet; and not to attach items to the equipment that are not specifically designed for use with the equipment.
14. When the equipment is to be retired from service, disassemble and dispose of it in such a way that no unreasonable hazards will exist. Follow your local disposal requirements.

Maintenance Checklist

At the beginning of play season:

Date: _____

- Tighten all hardware, including earth anchors.
- Lubricate swing pendulums.
- Check all moving parts including swing seats and chains for wear, rust, or other deterioration. Replace as needed.
- Check metal parts for rust. If found, sand and repaint using a nonlead-based paint meeting the requirements of 16 CRF 1303.
- Reinstall any plastic parts, such as swing seats or any other items that were removed for the cold season.
- Rake and check depth of loose fill protective surfacing materials to prevent compaction and to maintain appropriate depth. Replace as necessary.

Twice a month during play season:

Date: _____

- Rake and check depth of loose fill protective surfacing materials to prevent compaction and to maintain appropriate depth. Replace as necessary.

Once a month during play season:

Date: _____

- Tighten all hardware, including earth anchors as needed.
- Lubricate swing pendulums.
- Check all moving parts including swing seats and chains for wear, rust, or other deterioration. Replace as needed.

At the end of each play season or when the temperature drops below 0° F:

Date: _____

- Remove plastic swing seats.
- Rake and check depth of loose fill protective surfacing materials to prevent compaction and to maintain appropriate depth. Replace as necessary.

Copy this section as needed and maintain for your records.

Owner shall be responsible for maintaining the legibility of any warning labels.

Limited Warranty

We are confident in the quality of our products and dedicated to providing products that meet or exceed expectations.

Subject to proper installation and normal residential use, SwingSesh warrants to the original purchaser all accessories to be free from defects in material and workmanship for a period of one year from date of purchase. Accessories will be repaired or replaced, at our option, and returned to the customer.

In addition, for a period of five years during which the original purchaser owns the set, SwingSesh warrants to the original owner all above ground steel components against structural failure. Steel components covered under this limited warranty will be replaced, free of charge, excluding freight and labor fees. Installation of any components or accessories will be the responsibility of the original purchaser.

SwingSesh reserves the right to examine photographs or physical evidence of merchandise claimed to be defective, and to recover said merchandise prior to disposition of warranty claims. No warranty is offered on equipment subjected to abuse, negligence, improper installation, vandalism, acts of God, unauthorized alteration or attachment of equipment other than our own, or improper use, service or repair by customer or any third party. This warranty does not cover normal wear and tear or color fading.

SwingSesh's sole liability under this warranty is strictly limited to the repair or replacement of any defective product. In no event shall SwingSesh's liability under this warranty exceed the actual cost of materials necessary for repair or replacement of the product covered, whichever is less. SwingSesh shall not be liable for incidental, indirect, or consequential damages caused by its products. Please supervise your children's play activity and maintain your play equipment periodically.

Return Policy

Thank you for being a valued customer of SwingSesh! Our goal is for every customer to be completely satisfied with their purchase, but we understand that occasionally this may not be the case and products may need to be returned.

SwingSesh accepts the return of new, unused products that are unopened and in their original packaging. Please do not assemble or modify a product that you wish to return. Returns must be authorized and received within 30 days of delivery. For small parcel returns (apparel, accessories, etc), we do not require prior authorization, but returns must be received within 30 days of delivery.

Return shipping costs are the responsibility of the customer. We recommend using FedEx, UPS, or USPS to ship back any returns. We recommend that you insure return shipments and obtain tracking information. SwingSesh cannot be issued in full for items damaged in return shipping or items that are not received.

The return address is: SwingSesh, 838 21 1/2 Rd, Grand Junction CO 81505

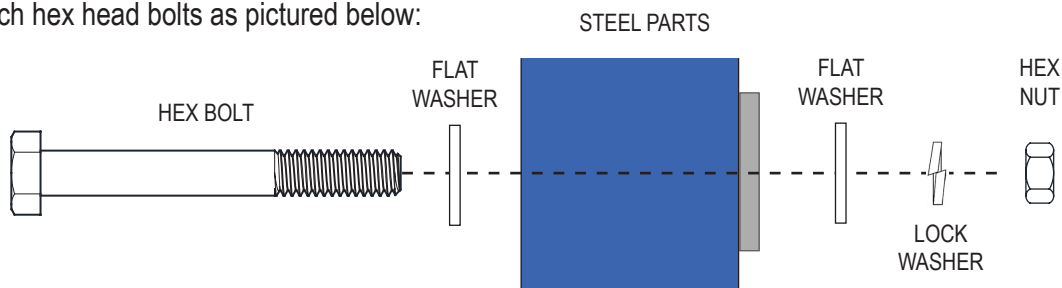
A credit will be issued following the receipt of the returned items. All items are inspected to ensure that they are received in new condition, without damage, before a return is processed. Please allow 3-5 business days, after the return is received, to see the credit on your account. Return credit will be issued via the original payment method.

Please note that shipping charges are non-refundable. If products were shipped with free shipping the refund for the product will be less the actual shipping costs. SwingSesh reserves the right to reject any return that does not meet the return standards and may charge a re-stocking fee for returns up to 20% of the product cost.

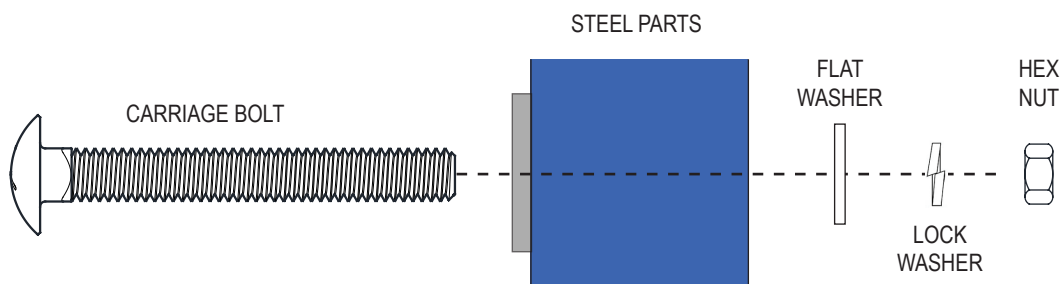
Assembly Instructions

- Before you begin assembly, ensure your selected site has adequate clearance for the safety zone and prepare a level surface. Two adults needed to assemble. It will be very difficult to move your SwingSesh once assembled, so it is important to place the feet in their intended assembled location during installation.
- Assemble all parts on a non-scratch surface to prevent damaging the finish.
- It is important to follow the bolt direction and bolt tightening sequence as indicated in the illustrations. **DO NOT OVERTIGHTEN BOLTS AS TUBING CAN DISFIGURE.** Make sure all fasteners used are as specified. Using a fastener not specified in a particular application may result in too much thread exposure or not enough thread engagement.

Attach hex head bolts as pictured below:



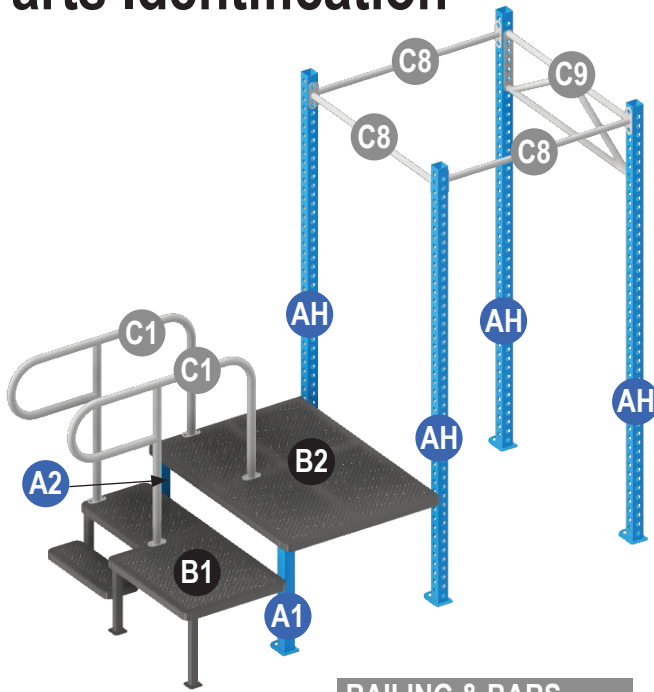
Attach carriage bolts as pictured below:



Additional Attachments

- If attaching other attachments such as a wall ball, squat rack, monkey bars, or climbing rope, it is recommended you decide on their placement before you start assembly.
- **CLIMBING ROPE EXTENSION.** Specifically, if you are installing a climbing rope extension with your set, please read the climbing rope extension assembly directions carefully before you begin installation of your set. The climbing rope extension post needs to be attached to the base post and stood up together.

Parts Identification



DECKING	
B1	Small Box Jump
B2	Large Box Jump

RAILING & BARS	
C1	Dip Bar 1
C8	Pull Up Bar
C9	Braced Pull Up Bar

POSTS	
A1	Post 2ft
A2	Post 2ft
AH	Post 8ft
AH	Post 8ft
AH	Post 8ft
AH	Post 8ft

Tools Required



2 x
1/2" open
end wrench



Tape
measure



Ladder or
step ladder

OR

1 x 1/2" open end
wrench &
1 x ratchet with
1/2" socket



1/2" drive ratchet (or
1/2" impact driver)
for earth anchors



24" level



1 x 9/16" open end wrench &
1 x 3/4" open end wrench
(for swing bolts & nuts)

Hardware

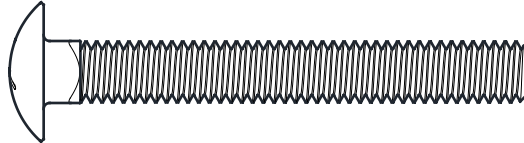
(Shown actual size)

5/16"-18

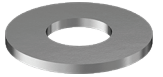
6 x 3 1/4" bolts



8 x 2 1/2" carriage bolts



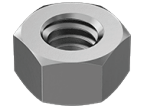
20 x 5/16" washers



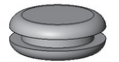
14 x 5/16" split lock washers



14 x 5/16" nuts

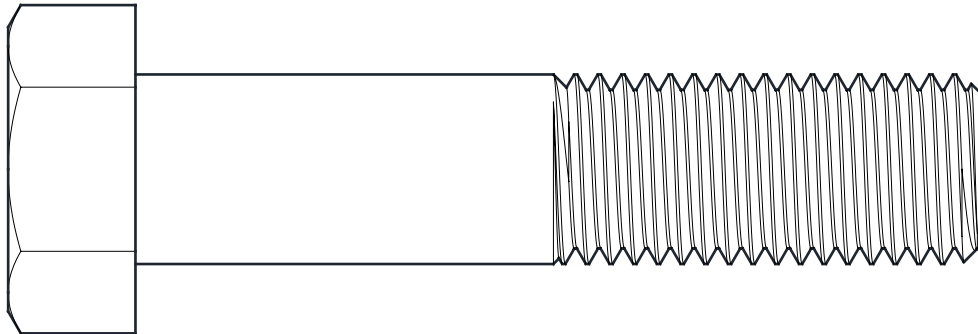


4 x 3/8" plugs

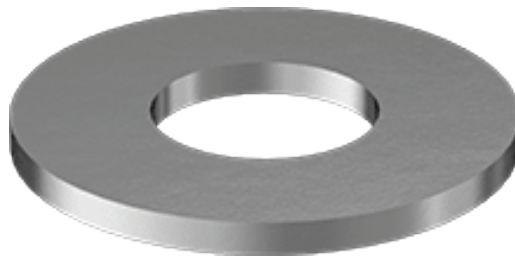


1"-8

16 x 4 1/2" bolts



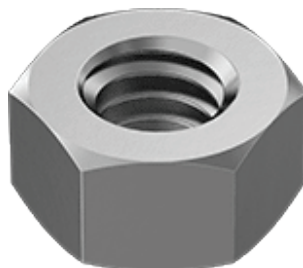
32 x washers



16 x split lock washers



16 x nuts



STEP 1 Posts & Pull-Up Bar Sub-Assembly

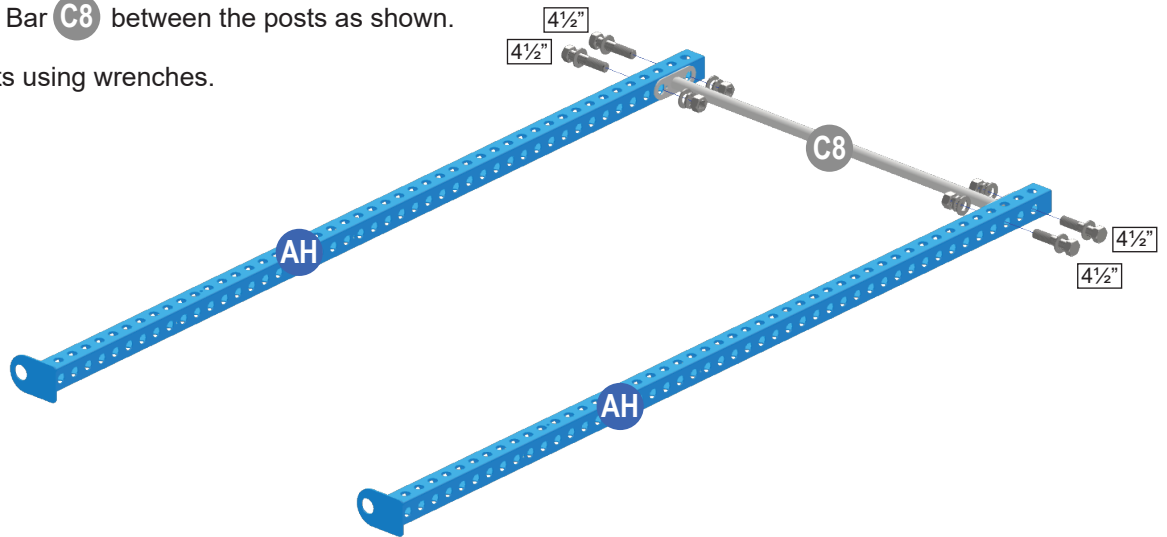
PARTS REQUIRED:

- AH** x2 Holed Post
- C8** Pull Up Bar

HARDWARE REQUIRED:

- x4 4½" oversized bolts, 2 washers, lock washer, nut

- Lay two (2) Holed Posts **AH** on the ground with feet facing to the left.
- Attach Pull Up Bar **C8** between the posts as shown.
- Tighten all bolts using wrenches.



STEP 2 Large Box Jump Sub-Assembly

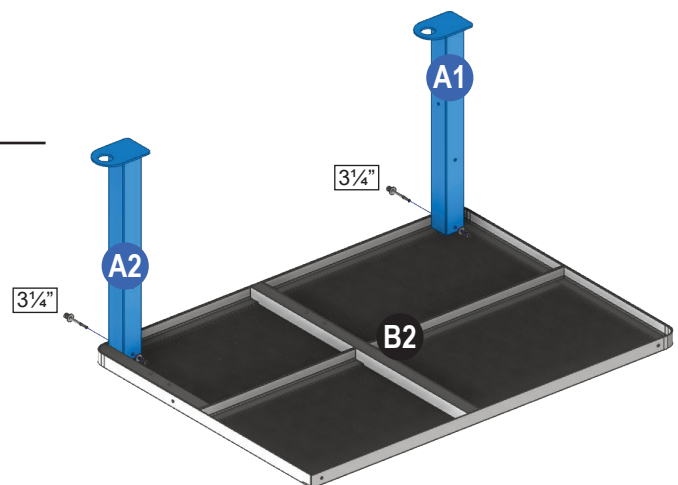
PARTS REQUIRED:

- A1** Post
- A2** Post
- B2** Large Box Jump

HARDWARE REQUIRED:

- x2 3¼" bolt, 2 washers, lock washer, nut

- Place **B2** on a non-scratch surface with the punched hole decking face down.
- Bolt **A1** and **A2** to **B2** as shown using two (2) 3¼" bolts. Bolt insertion direction is important.



STEP 3 Large Box Jump Assembly

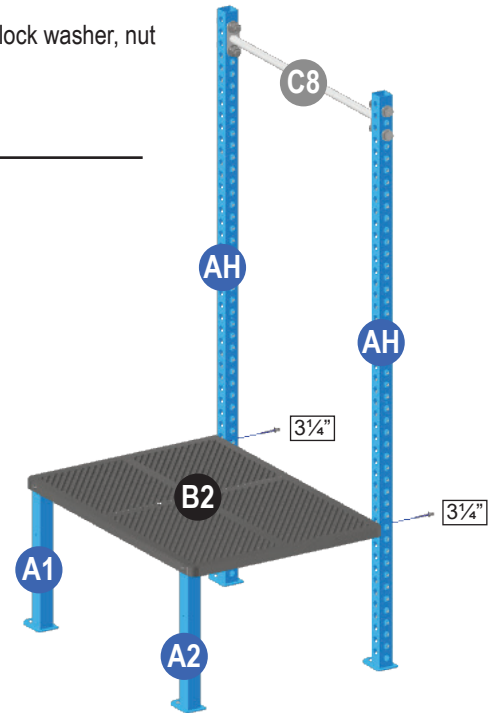
PARTS REQUIRED:

- A1** **A2** **B2** Large Box Jump Assembly
- AH** **C8** **AH** Pull Up Bar Assembly

HARDWARE REQUIRED:

- x2 3/4" bolt, 2 washers, lock washer, nut

- Flip over the Large Box Jump Assembly **A1** **A2** **B2** from Step 2 and stand up the Pull Up Bar Assembly **AH** **C8** **AH** from Step 1.
- Align the Assemblies and attach **AH** to **B2** using one (1) 3/4" bolt and attach **AH** to **B2** using one (1) 3/4" bolt.
- Tighten using wrenches.



STEP 4 Small Box Jump Assembly

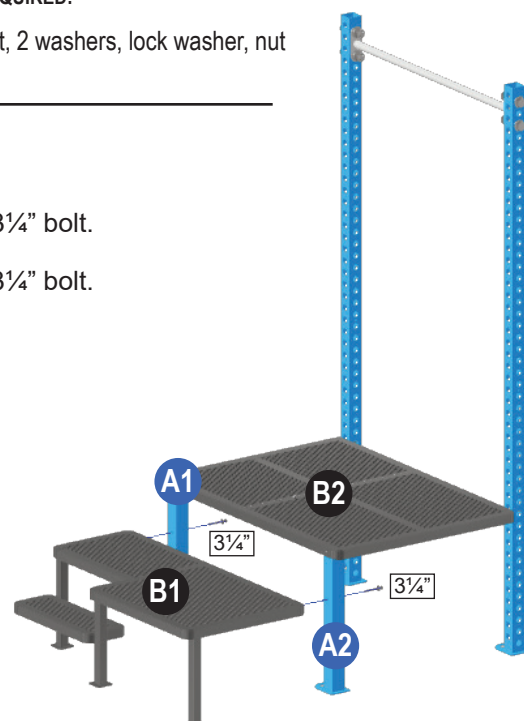
PARTS REQUIRED:

- B1** Small Box Jump

HARDWARE REQUIRED:

- x2 3/4" bolt, 2 washers, lock washer, nut

- Align Small Box Jump **B1** to Posts **A1** and **A2**.
- Attach Small Box Jump **B1** to Post **A1** using one (1) 3/4" bolt.
- Attach Small Box Jump **B1** to Post **A2** using one (1) 3/4" bolt.
- Tighten all bolts using wrenches.



STEP 5 Dip Bar Assembly

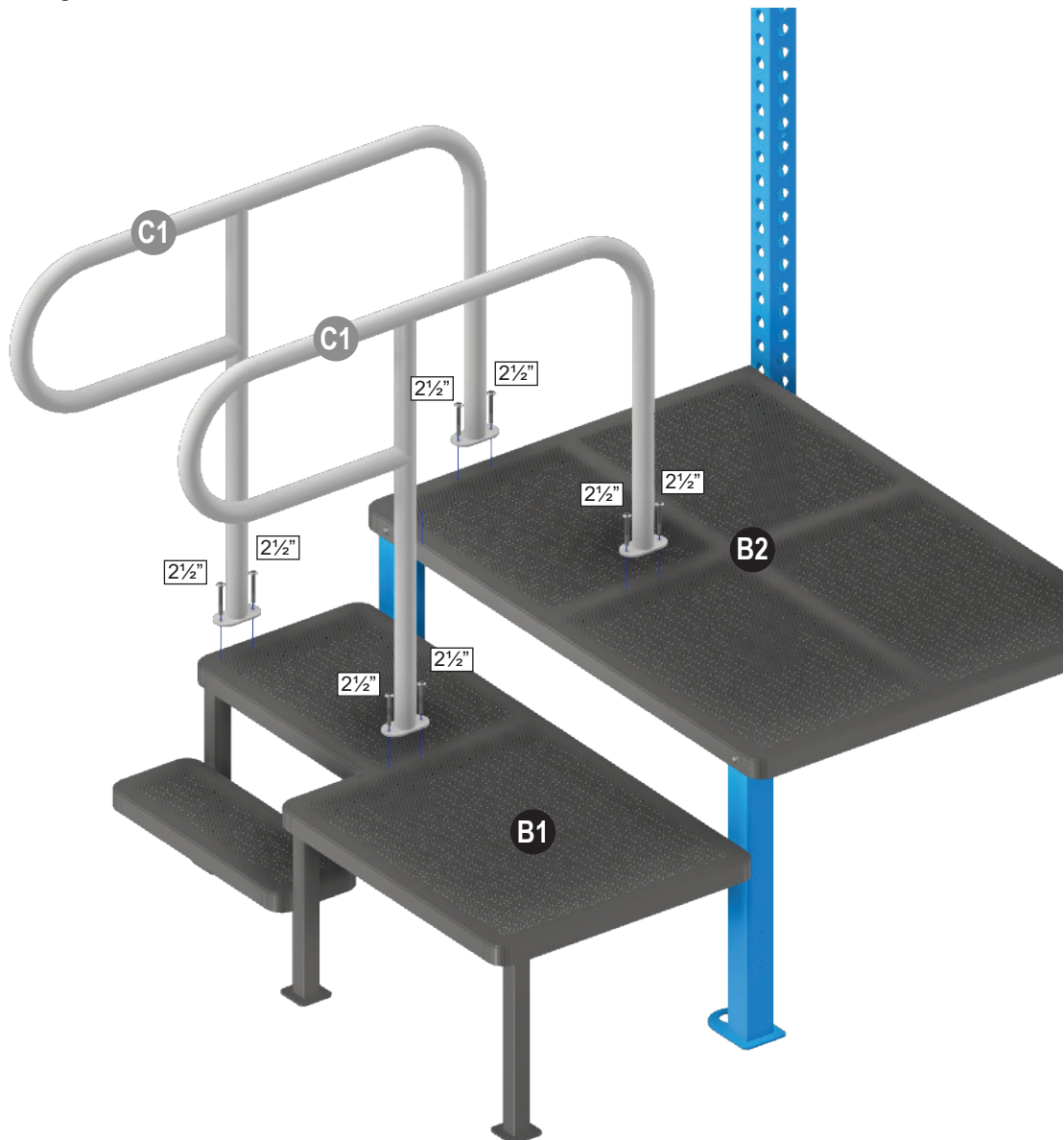
PARTS REQUIRED:

C1 x2 Dip Bar 1

HARDWARE REQUIRED:

x8 2½" carriage bolt, washer, lock washer, nut

- Align Dip Bar 1 **C1** to Small Box Jump **B1** and to Large Box Jump **B2**. Bolt Dip Bar 1 **C1** to Small Box Jump **B1** using two (2) 2½" carriage bolts and to **B2** using two (2) 2½" carriage bolts.
- Align Dip Bar 2 **C2** to Small Box Jump **B1** and Large Box Jump **B2**. Bolt Dip Bar 2 **C2** to Small Box Jump **B1** using two (2) 2½" carriage bolts and to **B2** using two (2) 2½" carriage bolts.
- Tighten all bolts using wrenches.



STEP 6 Rig Assembly

PARTS REQUIRED:

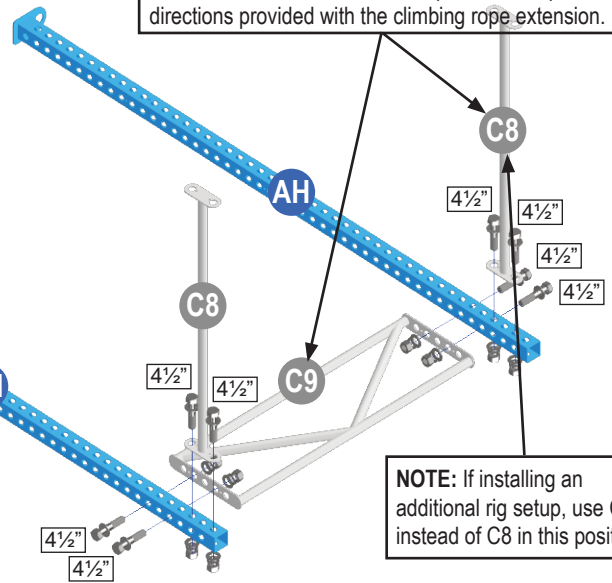
- AH** x2 Holed Post
- C8** x2 Pull Up Bar
- C9** Braced Pull Up Bar

HARDWARE REQUIRED:

- x8 4½" oversized bolts, 2 washers, lock washer, nut

NOTE: If installing the climbing rope extension switch the location of C8 and C9. Climbing rope extension should be installed in line with C9 and dip bars; see specific directions provided with the climbing rope extension.

- Lay two (2) Holed Posts **AH** on the ground with feet facing right, as shown.
- Attach a Pull Up Bar **C8** to both Post **AH** using four (4) 4½" bolts, two (2) on each **C8**.
- Attach Braced Pull Up Bar **C9** between the two Posts using four (4) 4½" bolts, as shown.
- Tighten using wrenches.

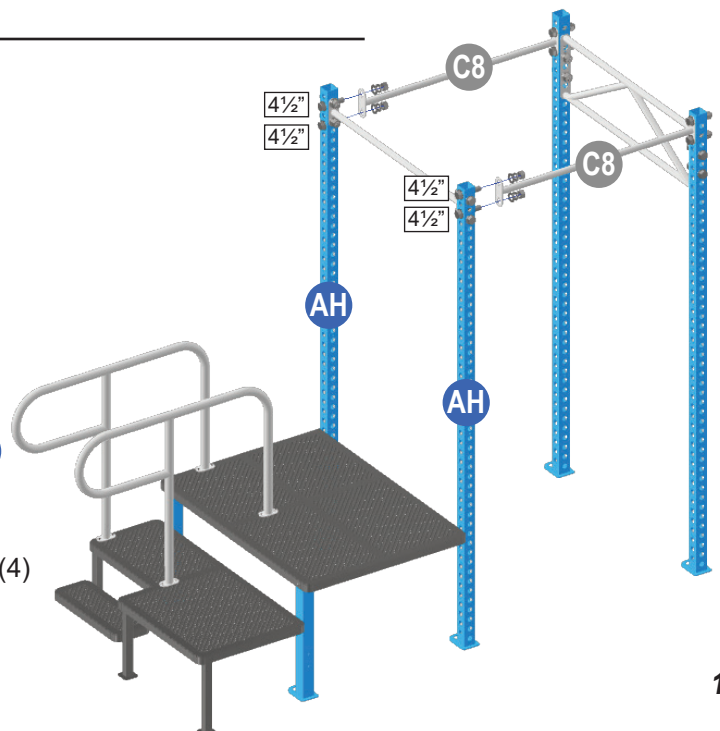


STEP 7 Attach Rig Assembly

HARDWARE REQUIRED:

- x4 4½" oversized bolts, 2 washers, lock washer, nut

- Place four (4) 4 1/2" bolts through the first and third holes from the top of both **AH** Posts attached to the box jump. Do not put washer, lock washer, or nut on yet.
- Align feet of **AH** Posts from previous Step 6 to their approximate final location and stand up the assembly to align with bolts in the other **AH** Posts.
- Add washer, lock washer, and nut to those four (4) bolts and tighten using wrenches.



STEP 8 Insert Earth Anchors

PARTS REQUIRED:

- D1** Earth Anchors (quantity 4)

NOTE: If installing other attachments, such as a Climbing Extension, please review those instructions at this point for installation.

- Insert Earth Anchors **D1** through holes in feet of all four **AH** Holed Posts. Anchors not needed in the feet of **A1** and **A2**. If Monkey Bars are installed, insert Earth Anchors through the feet of both Posts **A14**.
- Use a 1/2" drive to screw the anchors into place. Anchors must be placed below the level of the playing surface to prevent tripping or injury resulting from a fall.
- Earth anchors provided may not be adequate in certain soil types and the equipment may need to be anchored with larger anchors or concrete footers. It is the owner's responsibility to ensure the set is securely anchored.

STEP 9 Attach Warning Label & Insert Plugs

PARTS REQUIRED:

Warning Label

HARDWARE REQUIRED:

Plugs (quantity varies depending on model features)

- Attach warning label to a prominent location on one of the equipment posts. This provides warnings concerning safety and important contact information. Warning label should be attached in a location readily visible to users in order to alert users to the potential hazards in time to take appropriate action.
- To prevent water intrusion, insert plugs provided into any unused bolt holes (varies by model and accessories). The bottom of each post has a weep hole; do not plug the weep hole. Plugs not required in Holed Posts.