

# Installation, Maintenance, & User Manual

## SwingSesh

Models SS1, SS1-SL, SS1-MB, SS1-SL-MB



### **WARNING**

Read all precautions and instructions in this manual before using this equipment. Save this manual for future reference and in the event that the manufacturer has to be contacted.

Maximum fall height: 8'-2"

**SUITABLE FOR USERS AGE 5+**



13385 Joy Road

Lusby, MD 20657

[www.swingsech.com](http://www.swingsech.com)



# Contents

Before You Begin Installation .....	2
Playground Surfacing Materials .....	3
Safety Precautions .....	4
Maintenance Information .....	5
Assembly Instructions .....	6
Determine Your Configuration..	7
Tools Required .....	8
Steel Parts Identification .....	9
Components Identification .....	9
Hardware .....	10
Limited Warranty & Return Policy .....	32

---

## Replacement Parts or Questions

If you have questions after reading this manual, please call our Customer Care Team and our staff will provide assistance. If any parts or components arrive damaged, we will do our best to provide a repair kit or replacement parts as soon as possible.

Customer Care: 1-301-247-2881

Please save this manual in the event that you need to contact SwingSesh.

---

 **WARNING**

Read this manual prior to assembling and using the equipment. Save this manual for future reference.

 **WARNING**

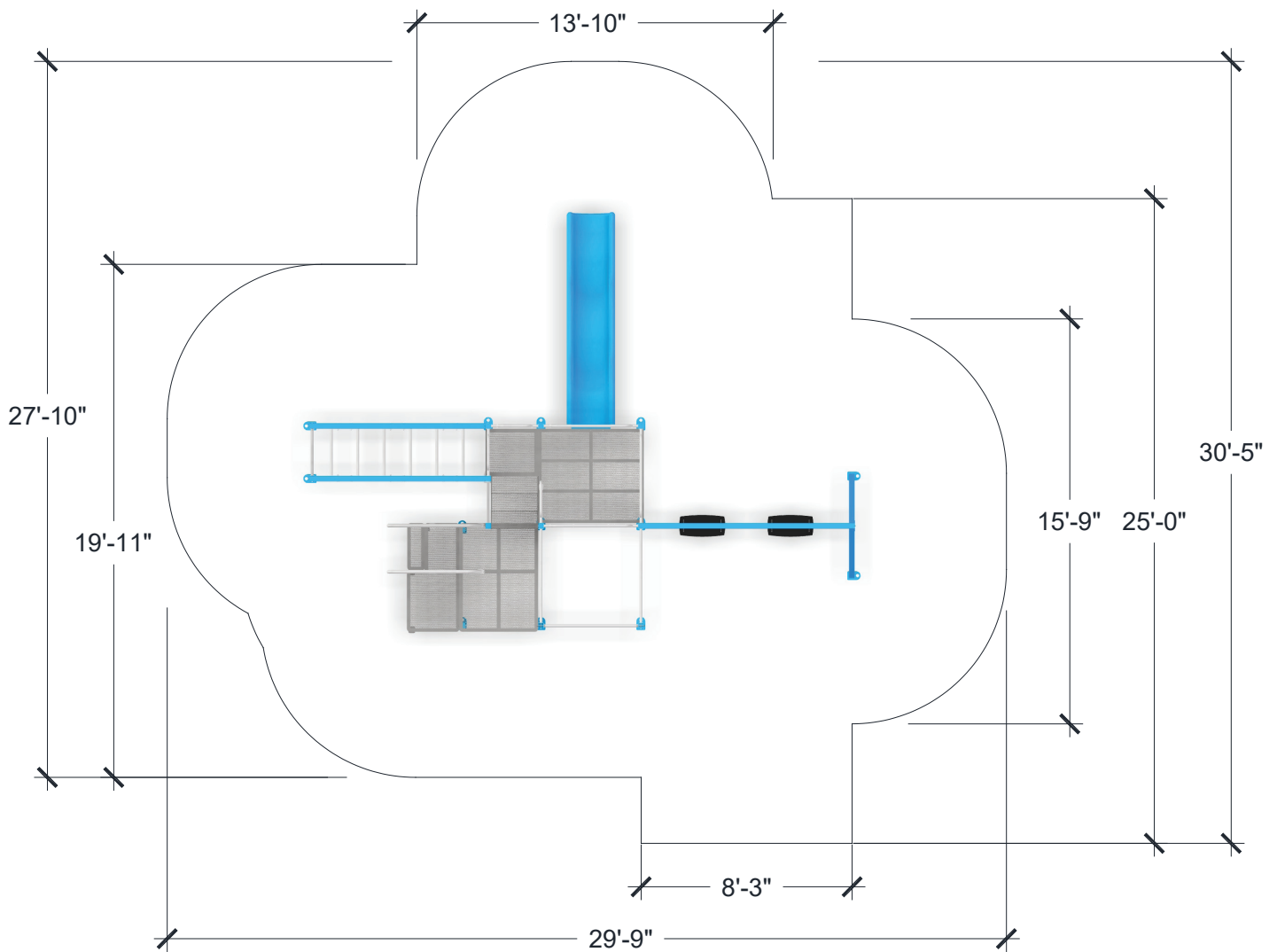
This product must be anchored.

# Before You Begin Installation

Thank you for choosing SwingSesh! SwingSesh products will provide many years of backyard fun and fitness for the entire family. Your SwingSesh comes equipped with warnings and instructions for assembly, care, maintenance, and use. This information must be read by all SwingSesh supervisors and communicated to or read by all users before any person is allowed to use a SwingSesh.

1. Prepare a level site.
2. Ensure you have adequate safety zone, as shown below.
3. Two or more adults capable of heavy lifting are recommended for setup.

## Recommended Safety Zone





# Playground Surfacing Materials

The following information is from Section 4 of the United States Consumer Product Safety Commission's (USCPSC) Outdoor Home Playground Safety Handbook for playground surfacing material. This guide to home playground safety can be downloaded at <https://www.cpsc.gov/s3fs-public/324.pdf>. Section 4 "Select Protective Surfacing" of the USCPSC Outdoor Home Playground Safety Handbook states:

One of the most important things you can do to reduce the likelihood of serious head injuries is to install shock-absorbing protective surfacing under and around your play equipment. The protective surfacing should be applied to a depth that is suitable for the equipment height in accordance with ASTM F1292. There are different types of surfacing to choose from; whichever product you select, follow these guidelines:

## Loose-Fill Materials

- Maintain a minimum depth of 9 inches of loose-fill materials such as wood mulch/chips, engineered wood fiber (EWF), or shredded/recycled rubber mulch for equipment up to 8 feet high; and 9 inches of sand or pea gravel for equipment up to 5 feet high. NOTE: An initial fill level of 12 inches will compress to about a 9-inch depth of surfacing over time. The surfacing will also compact, displace, and settle, and should be periodically refilled to maintain at least a 9-inch depth.
- Use a minimum of 6 inches of protective surfacing for play equipment less than 4 feet in height. If maintained properly, this should be adequate. (At depths less than 6 inches, the protective material is too easily displaced or compacted.)
- Use containment, such as digging out around the perimeter and/or lining the perimeter with landscape edging. Don't forget to account for water drainage.
- Check and maintain the depth of the loose-fill surfacing material. To maintain the right amount of loose-fill materials, mark the correct level on play equipment support posts. That way you can easily see when to replenish and/or redistribute the surfacing.
- Do not install loose fill surfacing over hard surfaces such as concrete or asphalt.

## Poured-In-Place Surfaces or Pre-Manufactured Rubber Tiles

You may be interested in using surfacing other than loose-fill materials—like rubber tiles or poured-in-place surfaces. Installations of these surfaces generally require a professional and are not "do-it-yourself" projects.

- Review surface specifications before purchasing this type of surfacing. Ask the installer/ manufacturer for a report showing that the product has been tested to the following safety standard: ASTM F1292 Standard Specification for Impact Attenuation of Surfacing Materials within the Use Zone of Playground Equipment. This report should show the specific height for which the surface is intended to protect against serious head injury. This height should be equal to or greater than the fall height—vertical distance between a designated play surface (elevated surface for standing, sitting, or climbing) and the protective surfacing below—of your play equipment.
- Check the protective surfacing frequently for wear.

# Safety Precautions

1. It is the responsibility of the owner and supervisors of this SwingSesh equipment to make sure all users obey the safety instructions printed in this manual.
2. This product is intended for use by children and adults five years of age and over.
3. Use this SwingSesh equipment only as described in this manual.
4. Children should only use the SwingSesh under adult supervision.
5. Total weight capacity is 1500 pounds.
6. Place the SwingSesh equipment on level ground, not less than 6-ft (1.8-m) from any structure or obstruction such as a fence, garage, house, overhanging branches, laundry lines, or electrical wires.
7. Do not install the SwingSesh equipment over concrete, asphalt, packed earth, grass, carpet, or any other hard surface. A fall onto a hard surface can result in serious injury or death to the equipment user.
8. It is recommended that the SwingSesh equipment be placed on a shock-absorbing surface. Shredded bark mulch, wood chips, fine sand, or fine gravel are considered to be acceptable shock absorbing surfaces when installed and maintained at a sufficient depth under and around the equipment.
9. It is recommended that the SwingSesh equipment be anchored to the ground. Be certain that all anchoring devices are placed below the level of the playing surface or below ground to prevent tripping.
10. Do not let anyone use equipment until completely and properly assembled and anchored.
11. Always inspect the equipment before it is used and replace any worn, defective, or missing parts.
12. To prevent entanglement and strangulation, dress children appropriately using well-fitting shoes and avoiding ponchos, scarves, jackets with neck drawstrings, cord-connected items, helmets with straps and other loose-fitting clothing that is potentially hazardous while using the equipment. These items can cause death by strangulation.
13. Adult supervisors must teach children the following: not to walk close to, in front of, behind, or between moving items; not to twist swing chains or ropes or loop them over the top support bar since this may reduce the strength of the chain or rope; to avoid swinging empty seats; to sit in the center of the swings with their full weight on the seats; not to use the equipment in a manner other than intended; not to get off equipment while it is in motion; not to climb when equipment is wet; and not to attach items to the equipment that are not specifically designed for use with the equipment.
14. When the equipment is to be retired from service, disassemble and dispose of it in such a way that no unreasonable hazards will exist. Follow your local disposal requirements.
15. Users must exercise extreme caution if electing to use a barbell with the squat rack attachment. When actively using a barbell, the swings cannot be used. Never leave a racked barbell unattended and always remove the barbell from the squat rack when not in use.

# Maintenance Checklist

**At the beginning of play season:**

Date: \_\_\_\_\_

- Tighten all hardware, including earth anchors.
- Lubricate swing pendulums.
- Check all moving parts including swing seats and chains for wear, rust, or other deterioration. Replace as needed.
- Check metal parts for rust. If found, sand and repaint using a nonlead-based paint meeting the requirements of 16 CRF 1303.
- Reinstall any plastic parts, such as swing seats or any other items that were removed for the cold season.
- Rake and check depth of loose fill protective surfacing materials to prevent compaction and to maintain appropriate depth. Replace as necessary.

**Twice a month during play season:**

Date: \_\_\_\_\_

- Rake and check depth of loose fill protective surfacing materials to prevent compaction and to maintain appropriate depth. Replace as necessary.

**Once a month during play season:**

Date: \_\_\_\_\_

- Tighten all hardware, including earth anchors as needed.
- Lubricate swing pendulums.
- Check all moving parts including swing seats and chains for wear, rust, or other deterioration. Replace as needed.

**At the end of each play season or when the temperature drops below 0° F:**

Date: \_\_\_\_\_

- Remove plastic swing seats.
- Rake and check depth of loose fill protective surfacing materials to prevent compaction and to maintain appropriate depth. Replace as necessary.

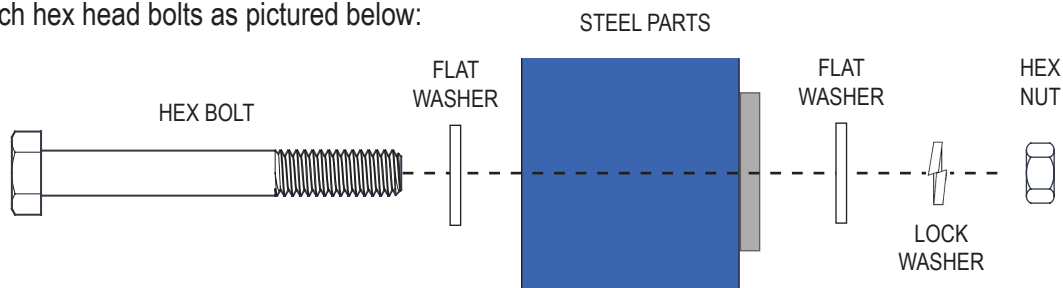
Copy this section as needed and maintain for your records.

Owner shall be responsible for maintaining the legibility of any warning labels.

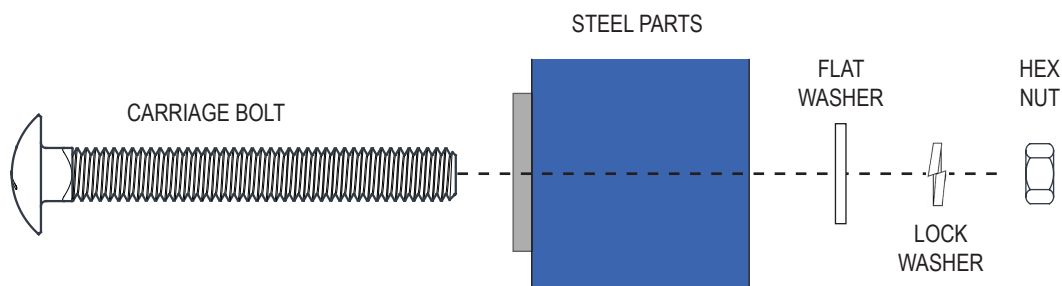
# Assembly Instructions

- Before you begin assembly, ensure your selected site has adequate clearance for the safety zone and prepare a level surface. Two adults needed to assemble. It will be very difficult to move your SwingSesh once assembled, so it is important to place the feet in their intended assembled location during installation.
- Assemble all parts on a non-scratch surface to prevent damaging the finish.
- It is important to follow the bolt direction and bolt tightening sequence as indicated in the illustrations. **DO NOT OVERTIGHTEN BOLTS AS TUBING CAN DISFIGURE.** Make sure all fasteners used are as specified. Using a fastener not specified in a particular application may result in too much thread exposure or not enough thread engagement.

Attach hex head bolts as pictured below:



Attach carriage bolts as pictured below:



## Additional Attachments

- If attaching other attachments such as a wall ball, squat rack, or climbing rope, it is recommended you decide on their placement before you start assembly.
- **CLIMBING ROPE EXTENSION.** Specifically, if you are installing a climbing rope extension with your set, please read the climbing rope extension assembly directions carefully before you begin installation of your set.

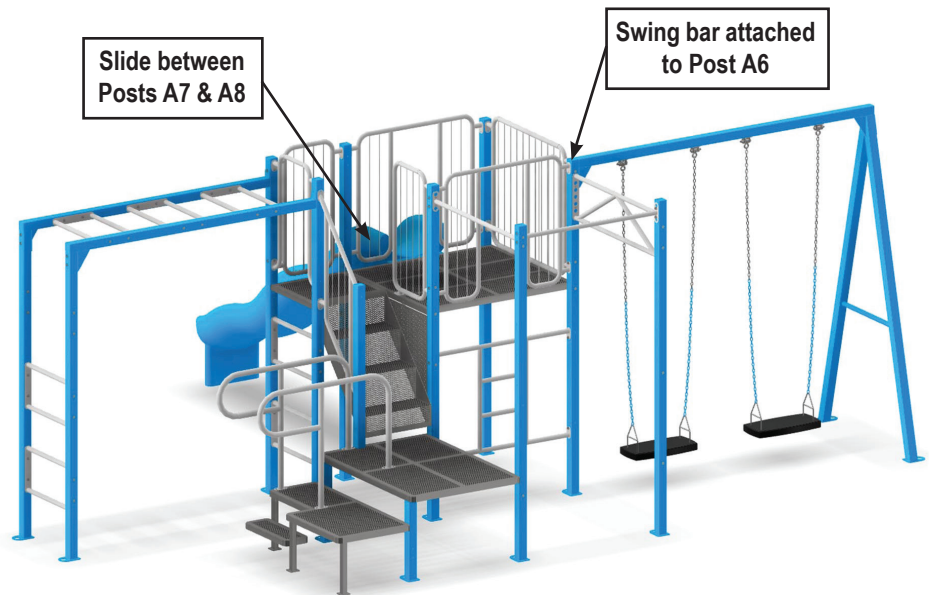
# Determine Your Preferred Configuration

- SwingSesh equipment is designed to be modular and can be configured in different ways. Before you begin installation, determine your preferred configuration.

## CONFIGURATION 1

Best configuration if not using a squat rack attachment.

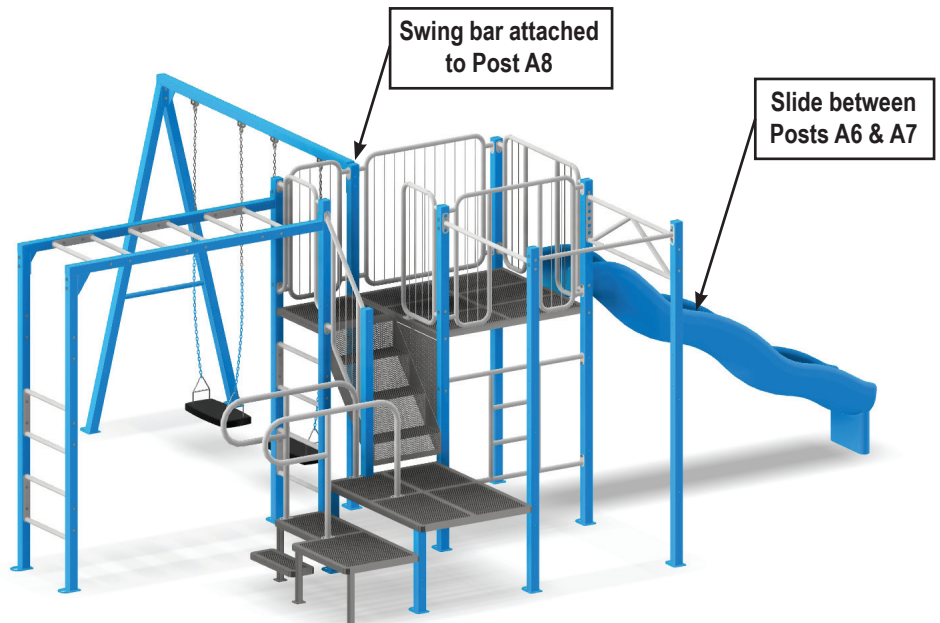
Directions are written for this configuration, follow accordingly.



## CONFIGURATION 2

Best configuration for use with a squat rack attachment or a climbing rope attachment.

Directions are written for Configuration 1, look for notes within the directions labeled in red with "**Configuration 2**" and corresponding images in red boxes.



## Tools Required

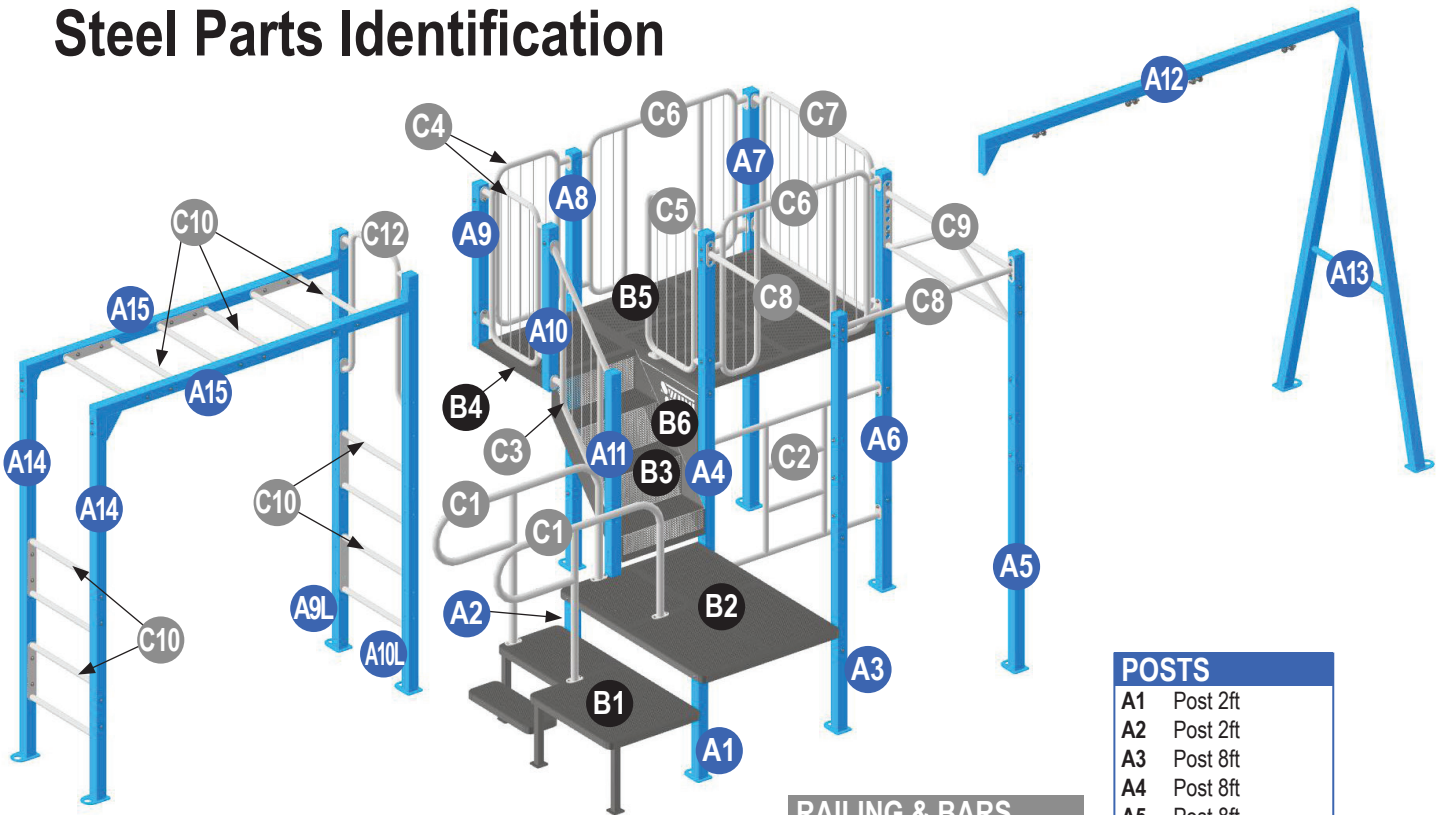


OR





# Steel Parts Identification



MONKEY BARS	
A9L	MB Replacement Post
A10L	MB Replacement Post
A14	MB Post
A15	MB Horizontal Support
C10	MB Rungs
C12	MB Replacement Railing

DECKING	
B1	Small Box Jump
B2	Large Box Jump
B3	Stair Climber
B4	Small Deck
B5	Large Deck
B6	Stair Safety Triangle

RAILING & BARS	
C1	Dip Bar 1
C2	Ladder
C3	Stair Railing
C4	Half Railing (4 brackets)
C5	Half Railing (3 brackets)
C6	Split Railing
C7	Full Railing
C8	Pull Up Bar
C9	Braced Pull Up Bar

POSTS	
A1	Post 2ft
A2	Post 2ft
A3	Post 8ft
A4	Post 8ft
A5	Post 8ft
A6	Post 8ft
A7	Post 8ft
A8	Post 8ft
A9	Post 3ft
A10	Post 3ft
A11	Post 4ft
A12	Swing Bar
A13	Swing A-Frame
AH	Holed Post 8ft

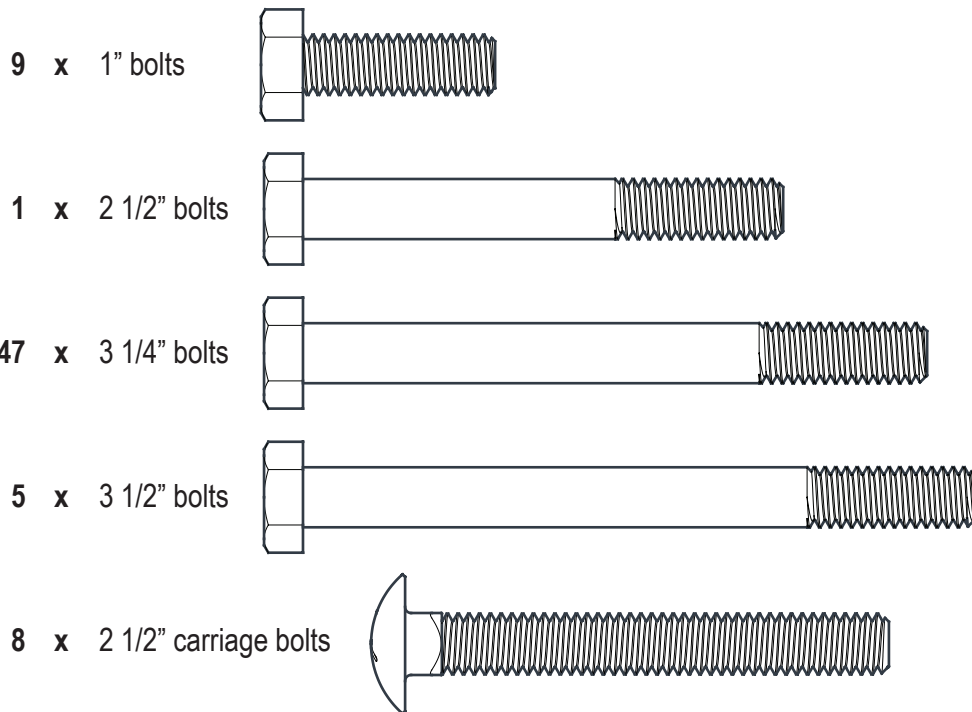
# Components Identification

NOTE: Not all models come with all components shown. Not shown to scale.

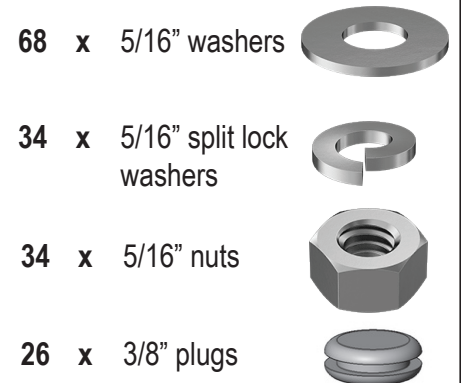


# Hardware

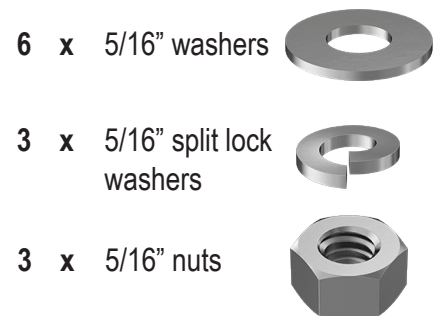
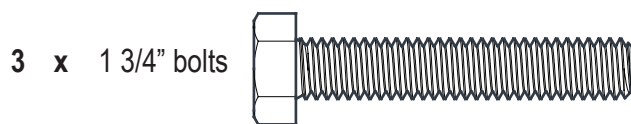
(Shown actual size)



## Monkey Bars Hardware



## Slide Hardware





**Swing Hardware**

**5/16" HARDWARE**

1 x 3 1/4" bolt



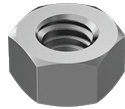
1 x 3 1/2" bolt



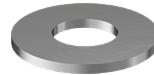
2 x 4" bolt



4 x 5/16" nuts



8 x 5/16" washers



4 x 5/16" split lock washers

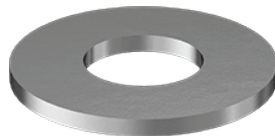


**1/2" HARDWARE**

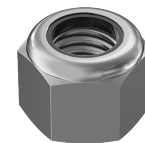
4 x Shoulder bolt



16 x 1/2" washers



4 x Nyloc locknuts



**PENDULUMS**

4 x Swing pendulums



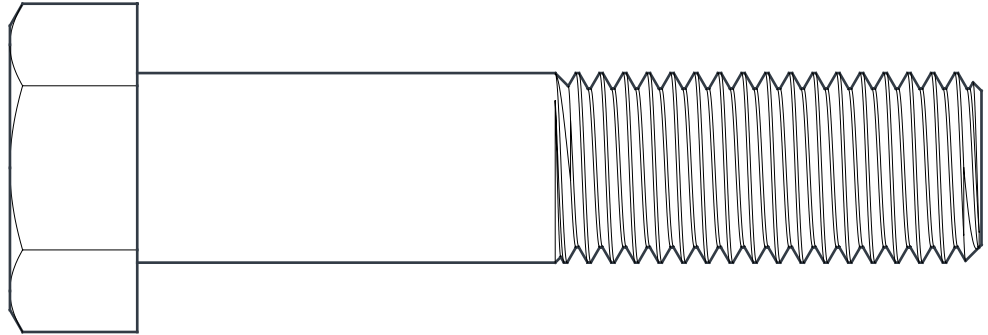
**CARABINERS**

8 x stainless steel carabiners

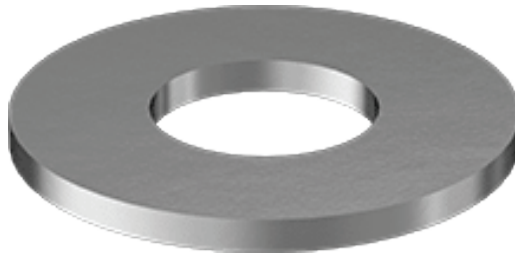


**Upgraded Holed Posts Hardware**

8 x 4 1/2" bolts



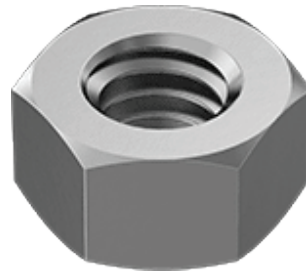
16 x washers



8 x split lock washers



8 x nuts



*This page intentionally left blank.*

## STEP 1 Front Ladder Wall Sub-Assembly

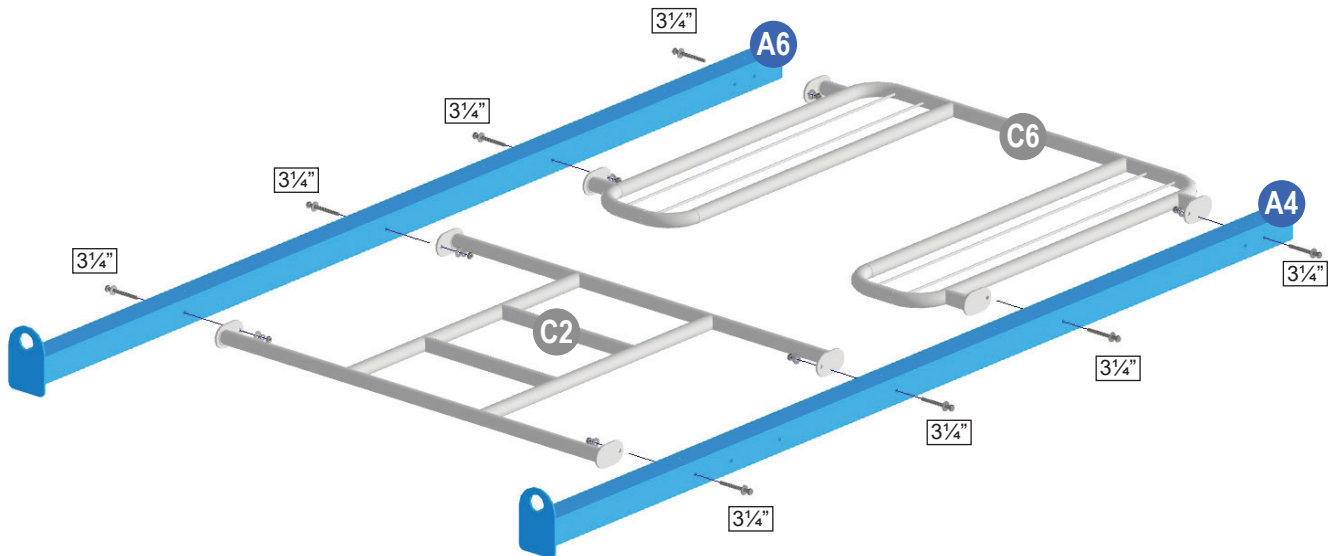
**PARTS REQUIRED:**

- A4** Post
- A6** Post
- C2** Ladder
- C6** Split Railing

**HARDWARE REQUIRED:**

- x8** 3/4" bolt, 2 washers, lock washer, nut

- Lay Posts **A4** and **A6** on the ground with feet facing up.
- Align Ladder **C2** and Split Railing **C6** between the posts and loosely attach to one post using four (4) 3/4" bolts following bolt direction as shown.
- Attach **C2** and **C6** to the other post using four (4) 3/4" bolts.
- Tighten all bolts using a wrench with 1/2" socket.



## STEP 2 Back Wall Sub-Assembly

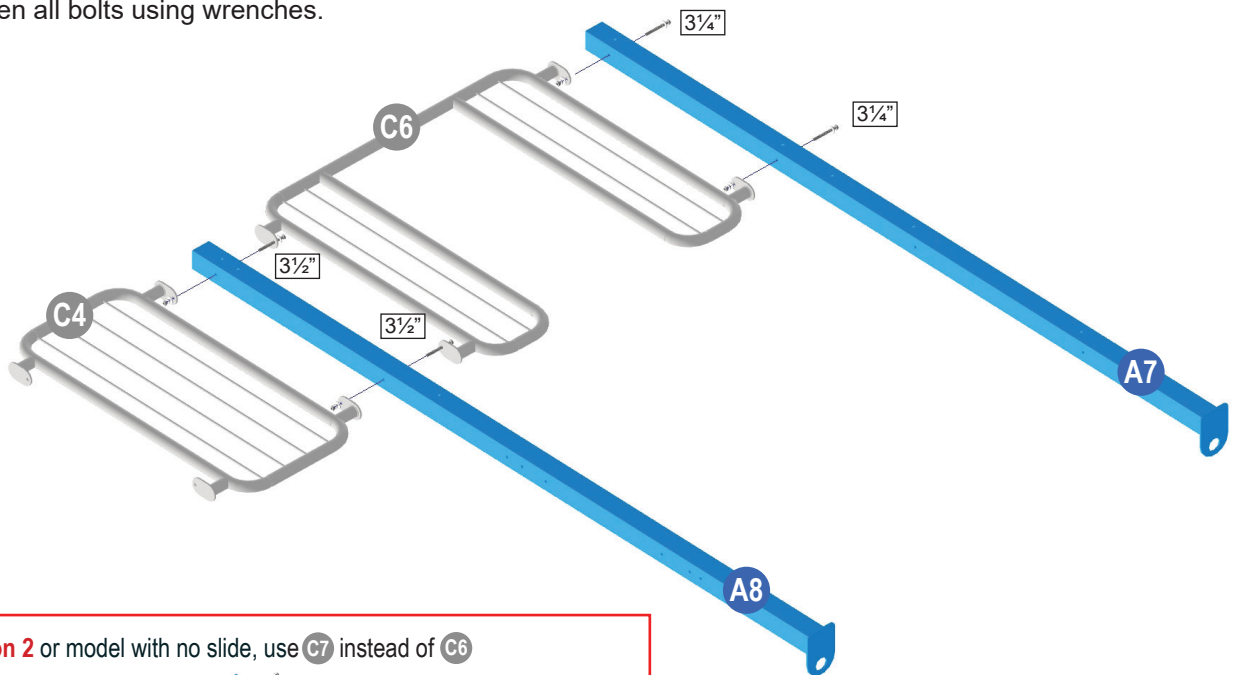
### PARTS REQUIRED:

- A7** Post
- A8** Post
- C4** Half Railing
- C6** Split Railing (or **C7** Full Railing, if model with no slide or **Configuration 2**)

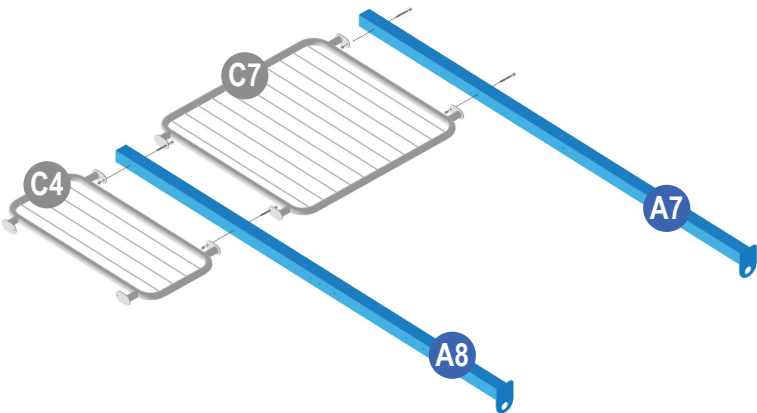
### HARDWARE REQUIRED:

- x2 3/4" bolt, 2 washers, lock washer, nut
- x2 3 1/2" bolt, 2 washers, lock washer, nut

- Lay Posts **A7** and **A8** on the ground with feet facing down.
- Place Split Railing **C6** between **A7** and **A8**. If assembling the set in **Configuration 2** or a set with no slide, use Full Railing **C7** instead of the Split Railing **C6**.
- Loosely attach Split Railing **C6** to **A7** using two (2) 3/4" bolts, hand tighten.
- Align Half Railing **C4** to Post **A8** and Split Railing **C6**. Attach all three parts using two (2) 3 1/2" bolts.
- Tighten all bolts using wrenches.



**Configuration 2** or model with no slide, use **C7** instead of **C6**



## STEP 3 Play Deck Assembly

**PARTS REQUIRED:**

- A4** **C2** **C6** **A6** Front Ladder Wall Assembly (Step 1)
- C4** **A6** **C6** **A9** Back Wall Assembly (Step 2)
- B5** Large Play Deck
- C7** Full Railing (or **C6** Split Railing if **Configuration 2**)

**HARDWARE REQUIRED:**

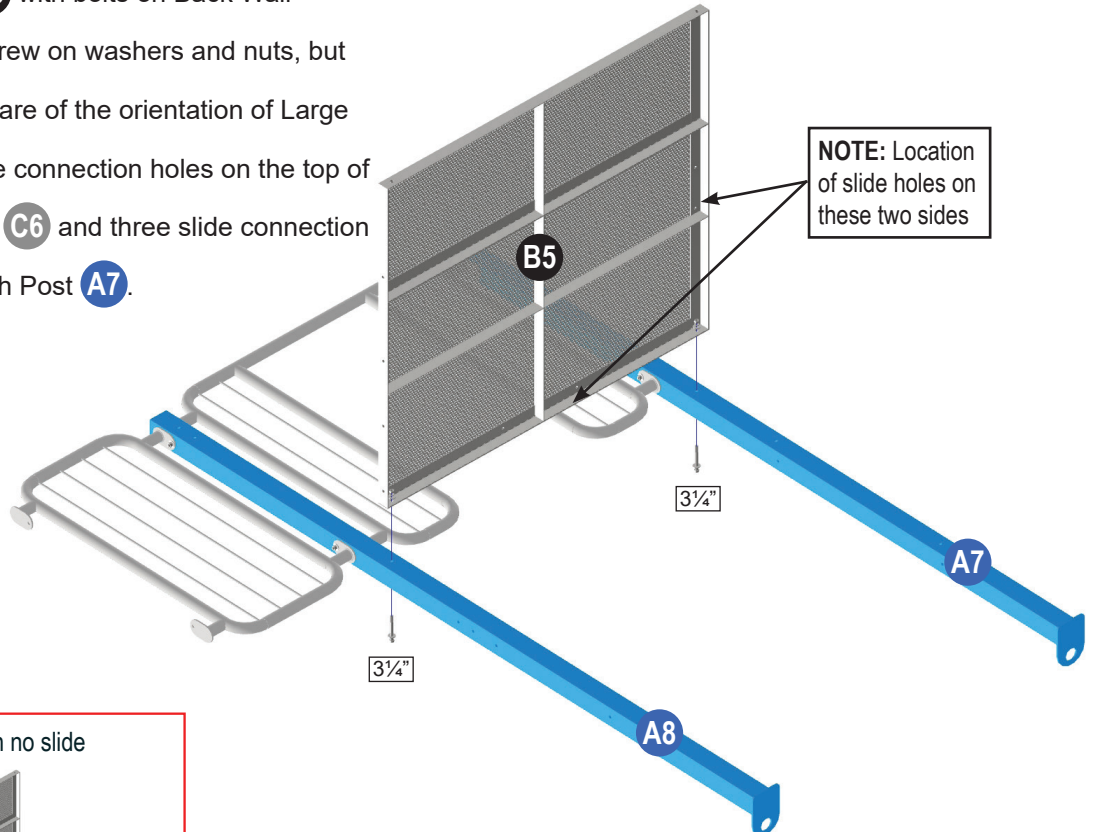
- x8** 3/4" bolt, 2 washers, lock washer, nut

### STEP 3a

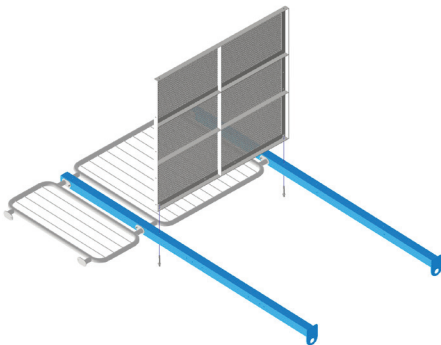
- Lay Back Wall Assembly (from Step 2) on the ground with the feet facing the ground and aligned to their
- approximate final assembly location.
- Insert two (2) 3/4" bolts and washers through holes indicated on Posts **A7** and **A8**.
- Align Large Play Deck **B5** with bolts on Back Wall

Assembly (Step 2) and screw on washers and nuts, but do not fully tighten. Be aware of the orientation of Large

Play Deck **B5**: three slide connection holes on the top of **B5** should be adjacent to **C6** and three slide connection holes should be in line with Post **A7**.

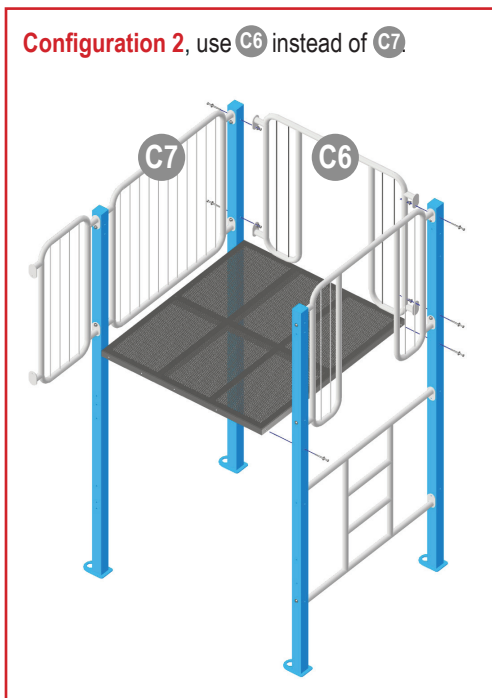
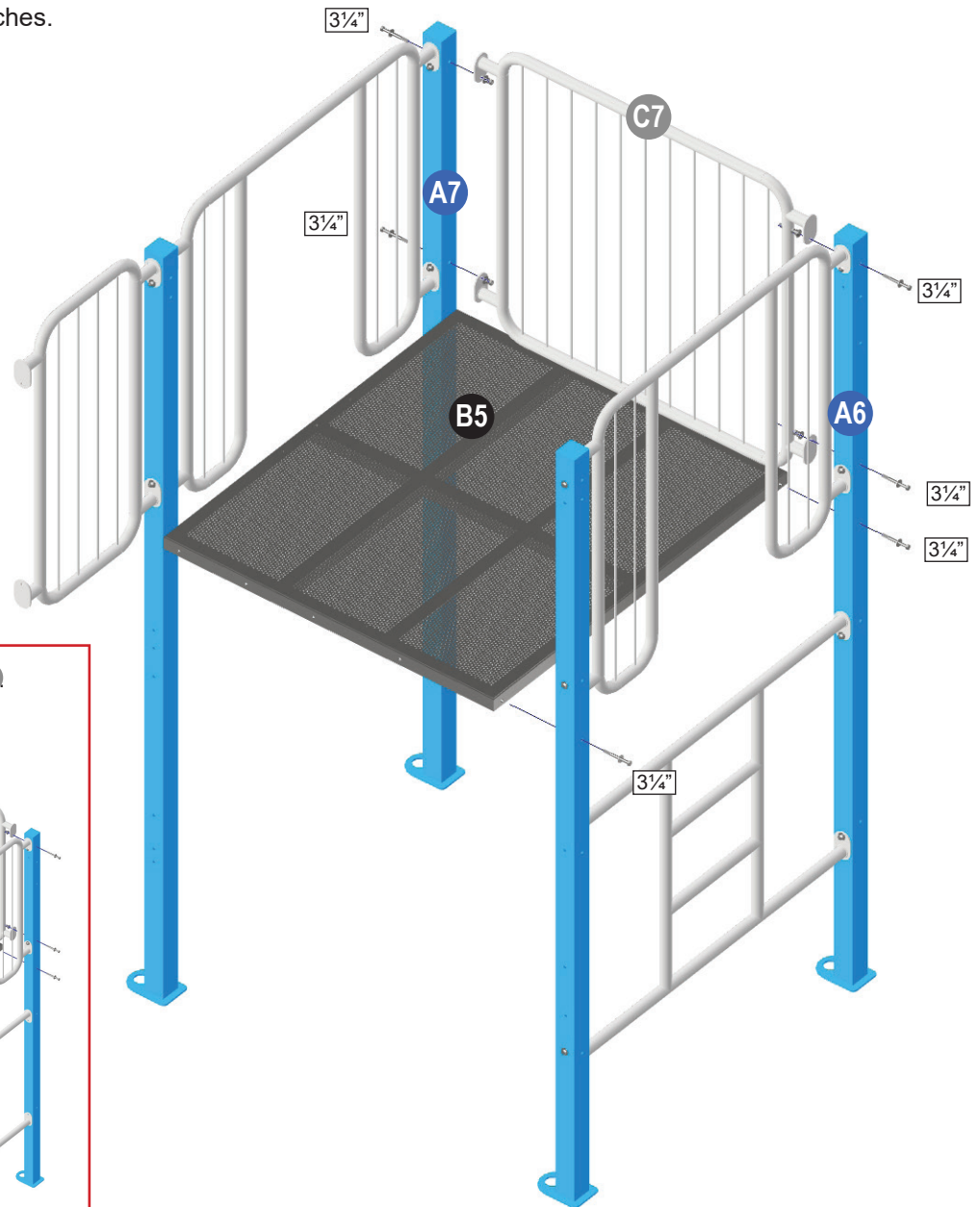


**Configuration 2**, or model with no slide



**STEP 3b**

- Align the Front Ladder Wall Assembly (from Step 1) with feet facing up to its approximate final location.
- With a second adult holding the Front Ladder Wall Assembly (from Step 1) upright, stand up the Back Wall and Play Deck Assembly and use two (2) 3/4" bolts to attach the Large Deck **B5** to the Front Ladder Wall Assembly. Hand tighten.
- Bolt Full Railing **C7** between Posts **A6** and **A7** using four (4) 3/4" bolts. If assembling the set in **Configuration 2**, use Split Railing **C6** instead of Full Railing **C7**.
- Tighten all bolts using wrenches.





## STEP 4 Pull Up Bars Sub-Assembly

**PARTS REQUIRED:**

- A3** Post (or **AH** Post if Upgraded Posts)
- A5** Post (or **AH** Post if Upgraded Posts)
- C8** **x2** Pull Up Bar
- C9** Braced Bar

**HARDWARE REQUIRED:**

**x8** 3/4" bolt, 2 washers, lock washer, nut

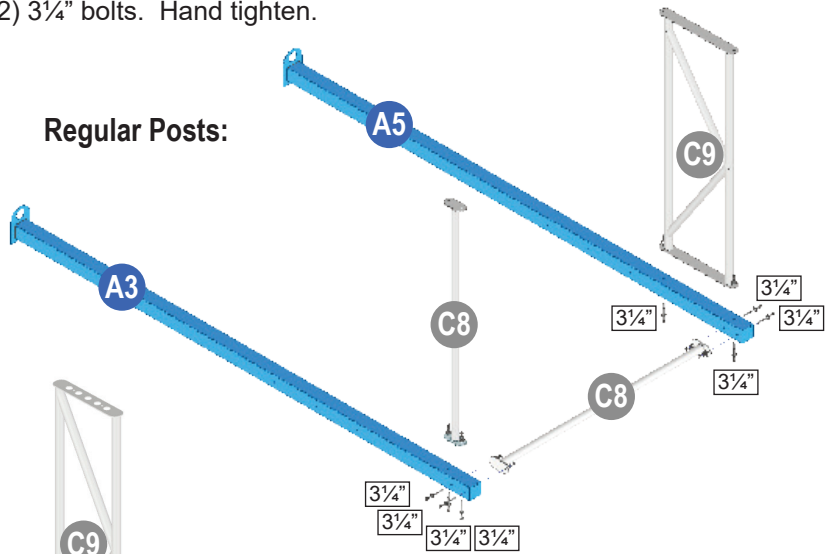
**If installing Upgraded Posts, use the following instead:**

**x8** 4 1/2" oversized bolt, 2 washers, lock washer, nut

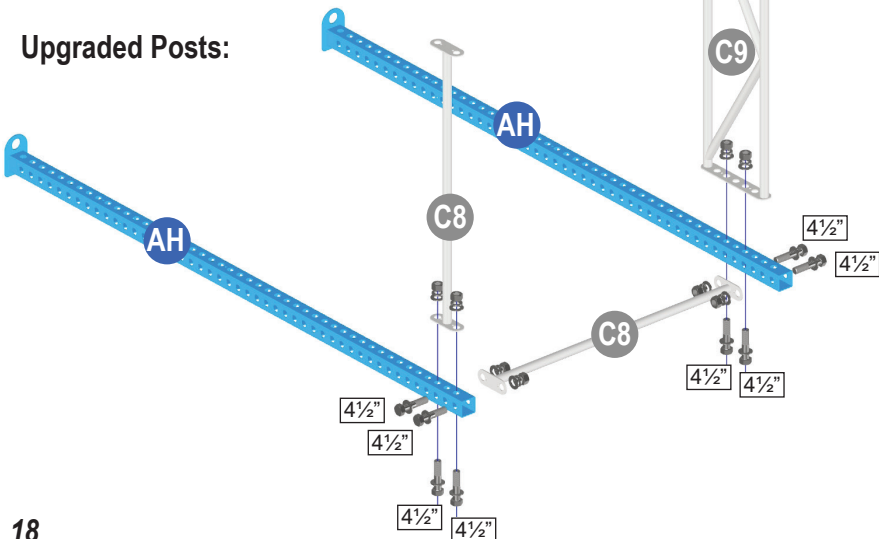
**NOTE:** If installing a Climbing Extension in either position or a Two Post Climbing Extension in Position A, skip this step and move to Step 5 to attach C5 & C8 to Post A4 and C9 to Post A6.

- Lay Posts **A3** and **A5** on the ground with feet facing up. If installing Upgraded Posts, use two **AH** Posts instead.
- Attach Pull Up Bar **C8** between Posts **A3** and **A5** using four (4) 3/4" bolts. Hand tighten.
- Attach the second Pull Up Bar **C8** perpendicularly to Post **A3** using two (2) 3/4" bolts. Hand tighten.
- Attach Braced Bar **C9** to Post **A5** using two (2) 3/4" bolts. Hand tighten.
- Tighten all bolts using wrenches.

**Regular Posts:**



**Upgraded Posts:**





## STEP 5 Attachment of Pull-Up Bar Assembly

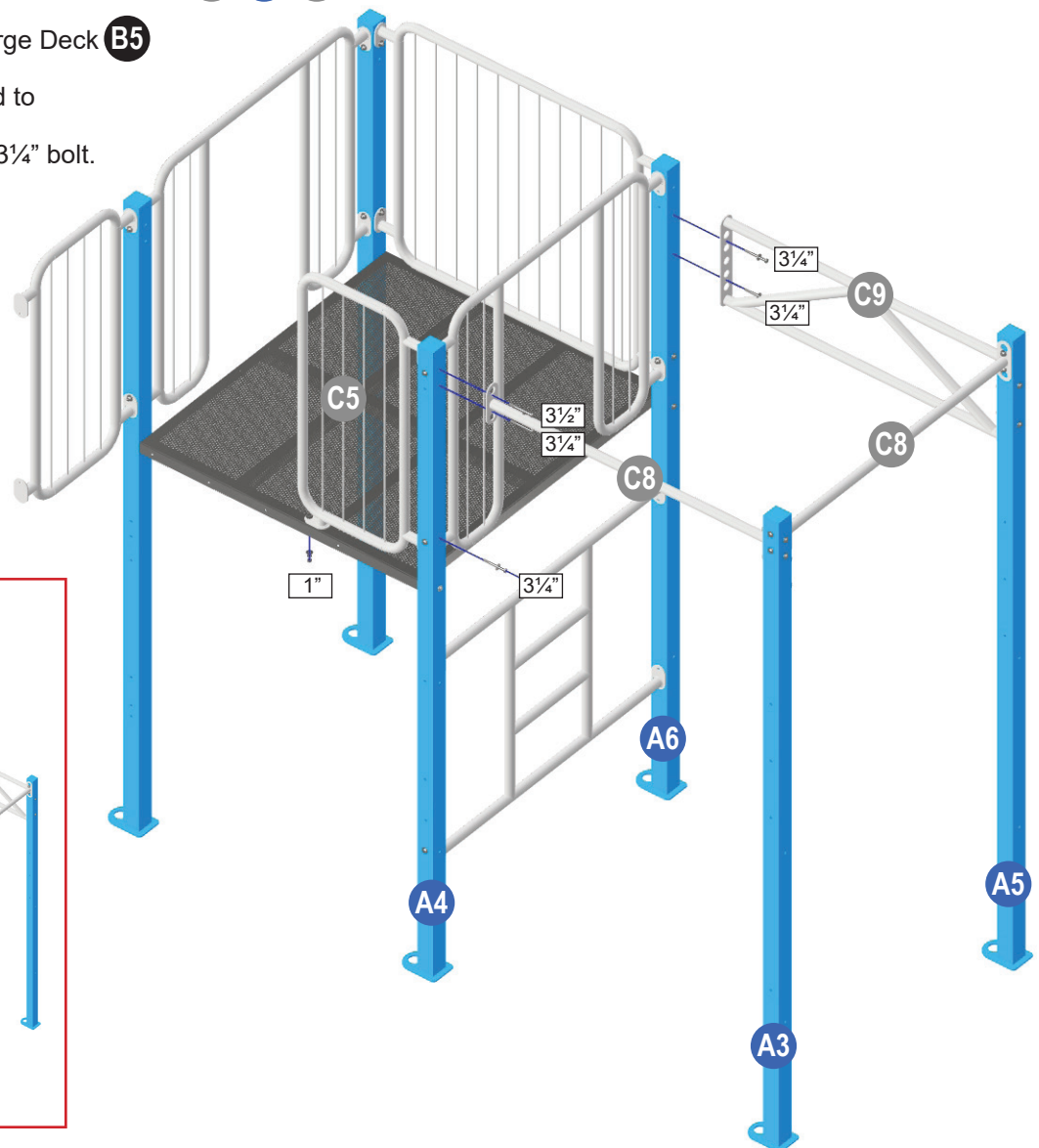
**PARTS REQUIRED:**

- C5** Half Rail (3 brackets)
- C8** **A3** **C8** **A5** **C9** Pull-Up Bar Assembly (Step 4)

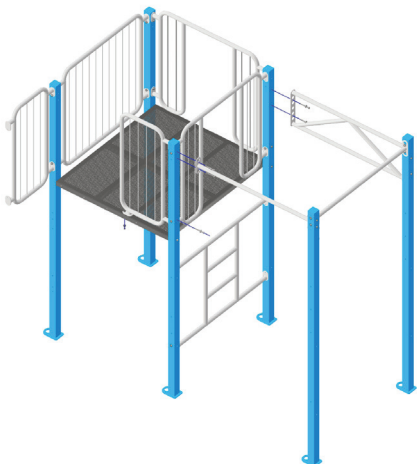
**HARDWARE REQUIRED:**

- x1 1" bolt, 2 washers, lock washer, nut
- x4 3/4" bolt, 2 washers, lock washer, nut
- x1 3/2" bolt, 2 washers, lock washer, nut

- Place the feet of Posts **A3** and **A5** in their approximate final location and stand up Pull Up Bars Assembly **C8** **A3** **C8** **A5** **C9** (from Step 4) to align with the Play Deck Assembly (from Step 3).
- Attach Braced Bar **C9** to Post **A6** using two (2) 3/4" bolts.
- Attach Pull Up Bar **C8** to Post **A4** using one (1) 3/4" bolt on the bottom. Align Half Rail **C5** to Post **A4** and use one (1) 3/2" bolt through three parts **C5** **A4** **C8**.
- Bolt Half Rail **C5** to Large Deck **B5** using one (1) 1" bolt and to Post **A4** using one (1) 3/4" bolt.
- Tighten all bolts using wrenches.



**Configuration 2**



## STEP 6 Stair Climber Assembly

**PARTS REQUIRED:**

- A9** Post
- A10** Post
- C4** Half Railing (4 brackets)
- C3** Stair Climber Railing
- B3** Stair Climber
- B4** Small Deck
- B6** Stair Safety Triangle

**WHEN INSTALLING MONKEY BARS USE:**

- OR **A9L** Monkey Bar Post
- OR **A10L** Monkey Bar Post
- OR **C12** Monkey Bar Railing

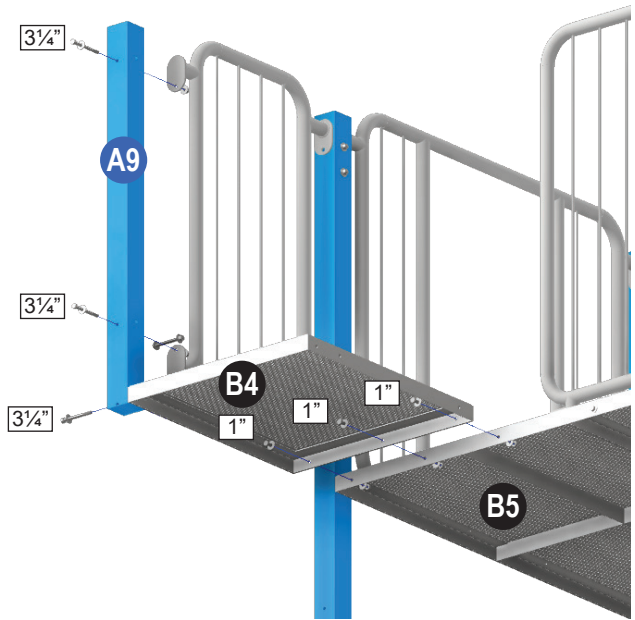
**NOTE: If installing Monkey Bars, complete Step 11a before continuing with this step.**

**HARDWARE REQUIRED:**

- x8** 1" bolt, 2 washers, lock washer, nut
- x11** 3/4" bolt, 2 washers, lock washer, nut
- x2** 3/2" bolt, 2 washers, lock washer, nut

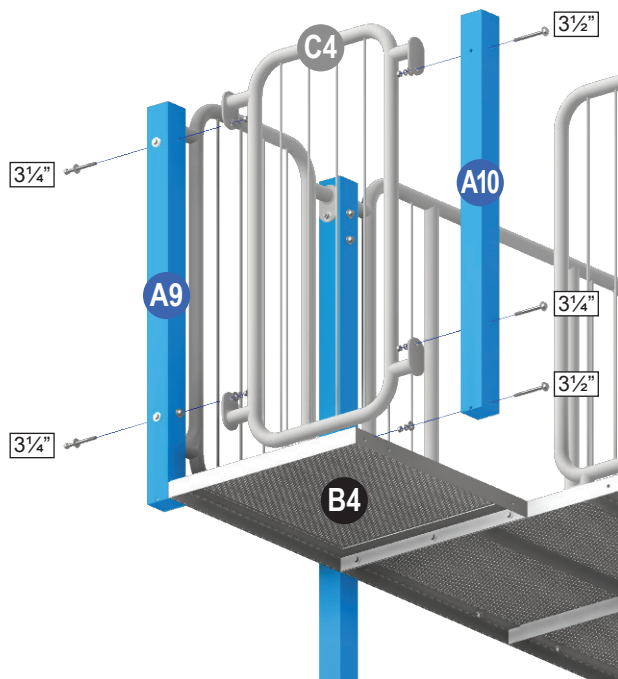
**STEP 6a**

- Attach Small Deck **B4** to Large Deck **B5** using three (3) 1" bolts. Tighten using wrenches.
- Attach Post **A9** or **A9L** to **C4** using two (2) 3/4" bolts and to Small Deck **B4** using one (1) 3/4" bolt. Tighten using wrenches; if attaching monkey bars, hand tighten the top bolt on **A9L**.



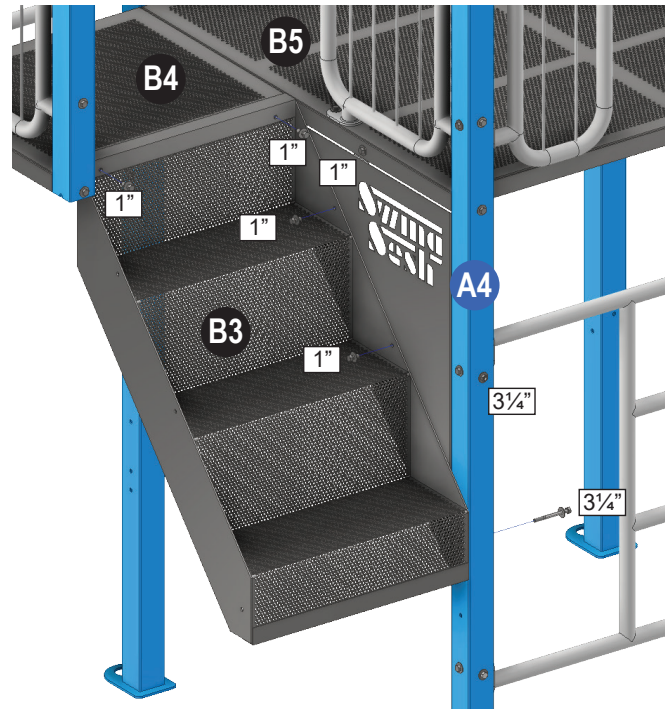
**STEP 6b**

- Attach Half Railing **C4** to Post **A9** using (2) 3/4" bolts. If attaching monkey bars, use Monkey Bar Railing **C12** instead of **C4**.
- Attach Post **A10** or **A10L** to **C4** using one (1) 3/2" bolt on the top bracket and one (1) 3/4" bolt on the bottom bracket. Attach Post **A10** to **B4** using one (1) 3/2" bolt.
- Hand tighten bolts.



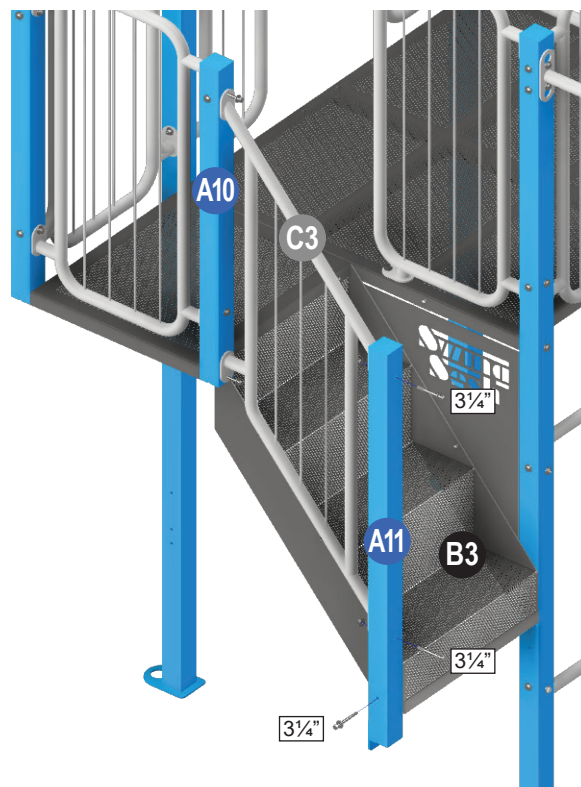
**STEP 6c**

- Attach Stair Climber **B3** to Small Deck **B4** using two (2) 1" bolts.
- Attach Stair Climber **B3** to Post **A4** using one (1) 3¼" bolt.
- Attach Stair Safety Triangle **B6** to Large Deck **B5** using one (1) 1" bolt and to Post **A4** using one (1) 3¼" bolt.
- Attach Stair Climber **B3** to Stair Safety Triangle **B6** using two (2) 1" bolts.
- Hand tighten bolts.



**STEP 6d**

- Attach Stair Climber Railing **C3** to Post **A10** using the two existing 3½" bolts.
- Attach Post **A11** to Stair Climber Railing **C3** using two (2) 3¼" bolts (top bolt first, then bottom bolt) and to Stair Climber **B3** using one (1) 3¼" bolt.
- Tighten all bolts in Step 6 using wrenches.



## STEP 7 Box Jump Assembly

**PARTS REQUIRED:**

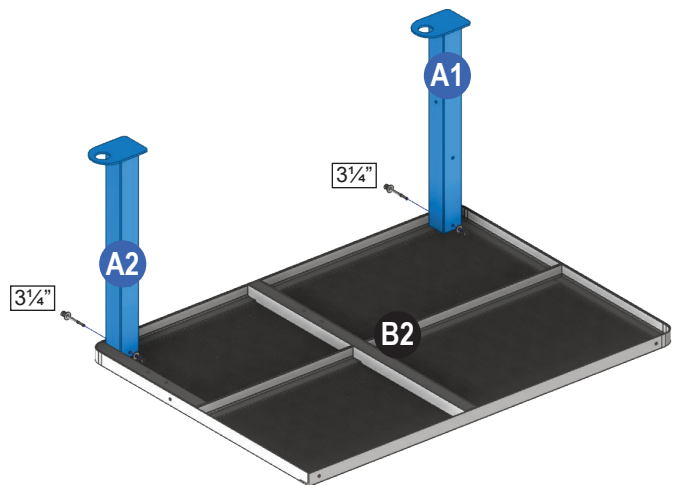
- A1** Post
- A2** Post
- B1** Small Box Jump
- B2** Large Box Jump/Lower Deck

**HARDWARE REQUIRED:**

- x6** 3/4" bolt, 2 washers, lock washer, nut
- x1** 2 1/2" bolt, 2 washers, lock washer, nut

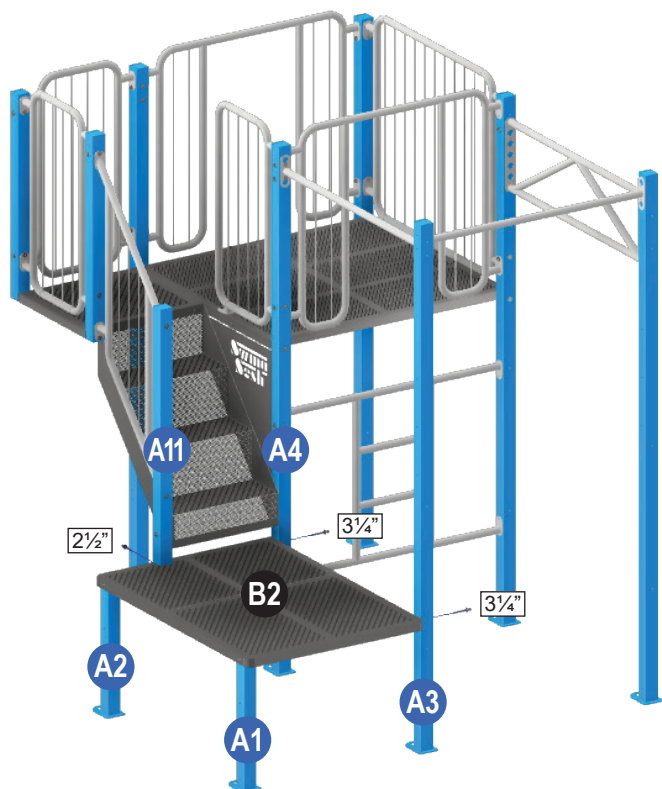
**STEP 7a**

- Place **B2** on a non-scratch surface with the punched hole decking face down.
- Bolt **A1** and **A2** to **B2** as shown using two (2) 3/4" bolts. Bolt insertion direction is important.



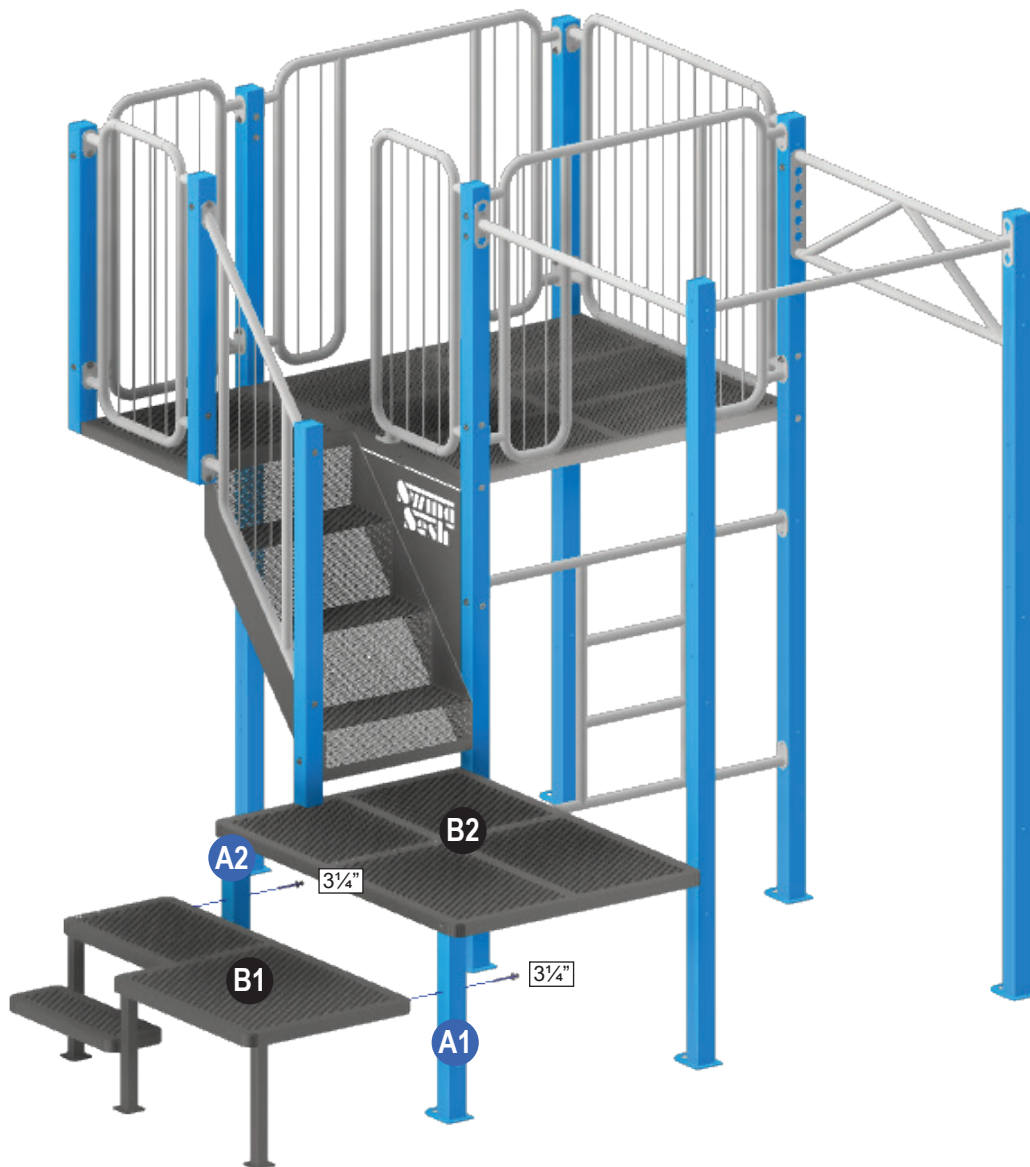
**STEP 7b**

- Turn Large Box Jump Assembly **A1-B2-A2** from Step 7a upright and align to Posts **A3** and **A4**.
- Attach Large Box Jump **B2** to Post **A3** using one (1) 3/4" bolt. Hand tighten.
- Attach Large Box Jump **B2** to Post **A4** using one (1) 3/4" bolt. Hand tighten.
- Attach Large Box Jump **B2** to Post **A11** using one (1) 2 1/2" bolt. Hand tighten.
- Tighten all bolts using wrenches.



**STEP 7c**

- Align Small Box Jump **B1** to Posts **A1** and **A2**.
- Attach Small Box Jump **B1** to Post **A1** using one (1) 3/4" bolt.
- Attach Small Box Jump **B1** to Post **A2** using one (1) 3/4" bolt.
- Tighten all bolts using wrenches.





## STEP 8 Dip Bar Assembly

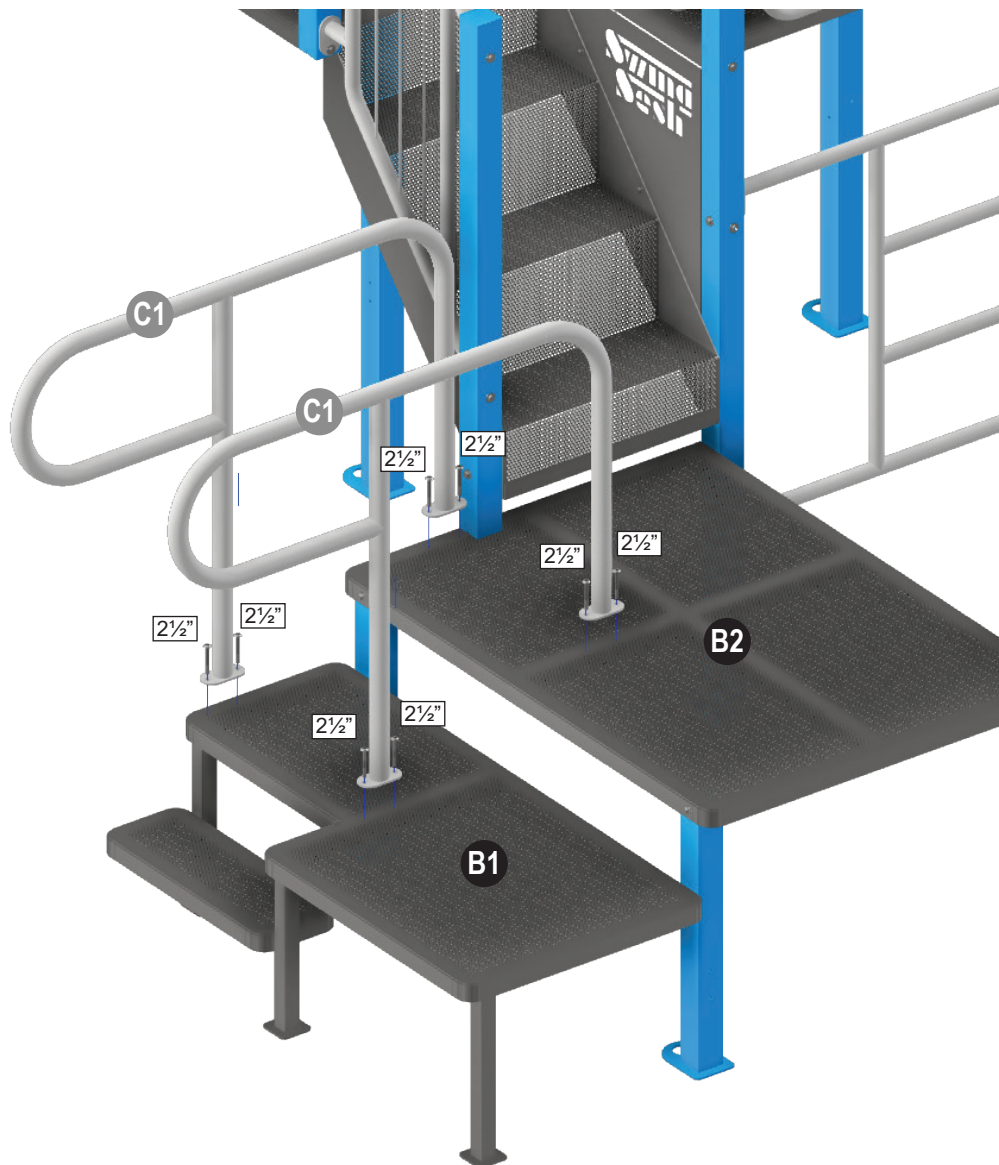
**PARTS REQUIRED:**

**C1** x2 Dip Bar

**HARDWARE REQUIRED:**

x8 2½" carriage bolt, washer, lock washer, nut

- Align Dip Bar **C1** to Small Box Jump **B1** and to Large Box Jump **B2**. Bolt Dip Bar **C1** to Small Box Jump **B1** using two (2) 2½" carriage bolts and to **B2** using two (2) 2½" carriage bolts.
- Repeat to attach the second Dip Bar **C1**.
- Tighten all bolts using wrenches.



## STEP 9 Slide Assembly

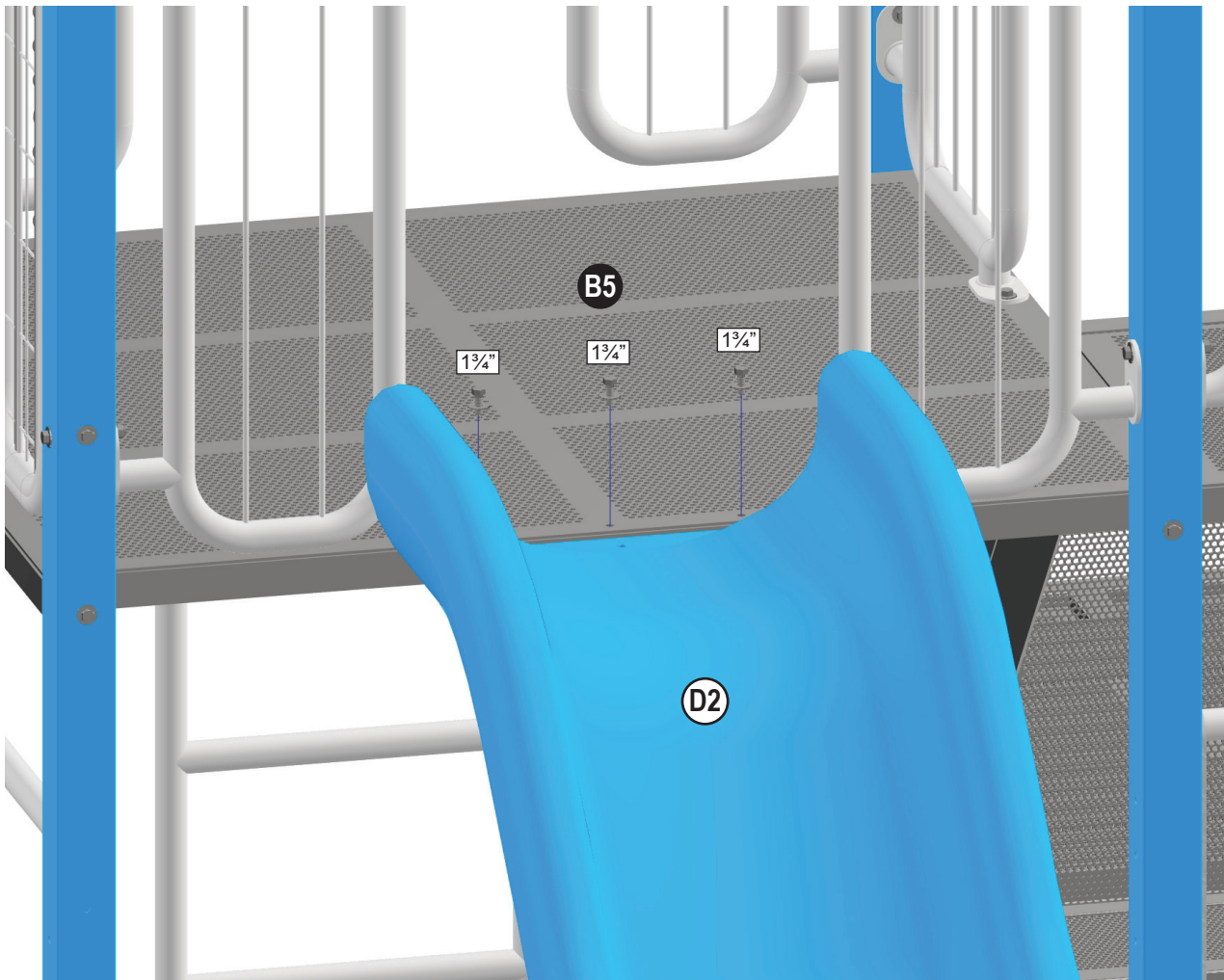
**PARTS REQUIRED:**

**D2** Slide

**HARDWARE REQUIRED:**

**x3** 1 $\frac{3}{4}$ " bolt, 2 washers, lock washer, nut

- Bolt Slide **D2** to Large Deck **B5** using three (3) 1 $\frac{3}{4}$ " bolts and tighten using wrenches.



## STEP 10 Swing Assembly

**PARTS REQUIRED:**

- A10** Swing Bar
- A11** Swing A-Frame
- D3** x2 Swing seats & hardware
- D4** x4 Swing chains

**HARDWARE REQUIRED:**

- x1 3¼" bolt, 2 washers, lock washer, nut
- x1 3½" bolt, 2 washers, lock washer, nut
- x2 4" bolt, 2 washers, lock washer, nut
- x4 sets Shoulder bolt, 4 washers, nylock nut
- x8 Carabiners
- x4 Swing Pendulums

### STEP 10a

- Attach Swing Bar **A12** to Post **A6** by replacing the 3¼" bolt at the top of **A6** with one (1) 3½" bolt and one (1) 3¼" bolt on bottom.
- Attach Swing A-Frame **A13** to Swing Bar **A12** using two (2) 4" bolts.
- Tighten all bolts using wrenches.

**NOTE:** If using **Configuration 2**, attach Swing Bar **A12** to **A8** using two (2) 3¼" bolts.

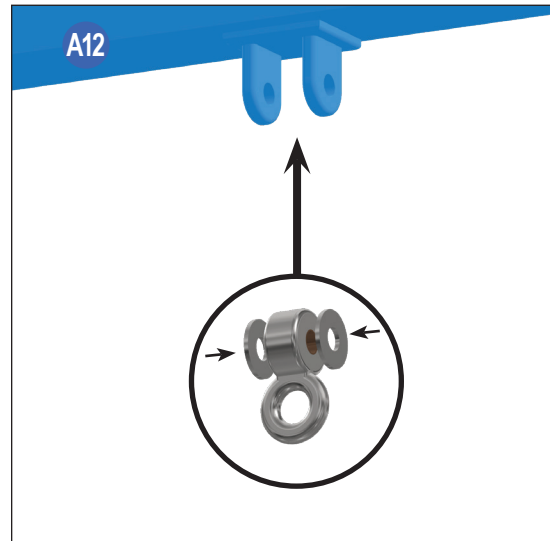


**NOTE:** If installing a second Swing Bar **A12** and A-Frame **A13**, connect Swing Bars and middle A-Frame using two (2) 4-1/2" bolts.

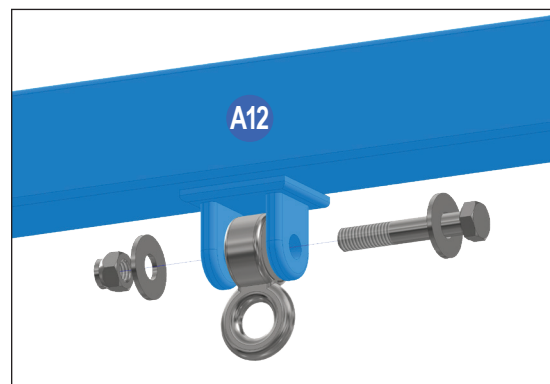


**STEP 10b**

- Locate the Swing Components & Hardware. Sandwich two washers around the pendulum and align between the pendulum mount tabs on Swing Bar **A12**.

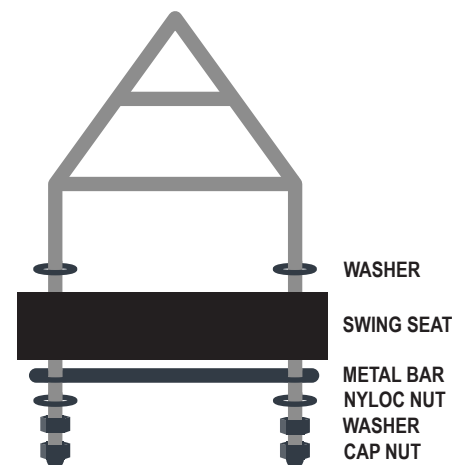


- While holding the pendulum, insert a shoulder bolt with one (1) flat washer through the pendulum mount tab, pendulum, and second mount tab.
- Place one (1) washer on bolt and secure with one (1) nylock nut. Tighten snug; do not overtighten.



**STEP 10c**

- Assemble Swing Seats **(D3)** by attaching the galvanized hardware to seat as shown.
- Attach Swing Chain **(D4)** (coated chain on bottom) to swing seat hardware and swing pendulums using carabiners. Larger carabiners connect the swing seat to the chain; smaller carabiners connect the chain to the pendulums at the top. Repeat for second swing. For safety, ensure the underside of the swing seat is a minimum of 8" above the ground surface.



## STEP 11 Monkey Bars Assembly

**PARTS REQUIRED:**

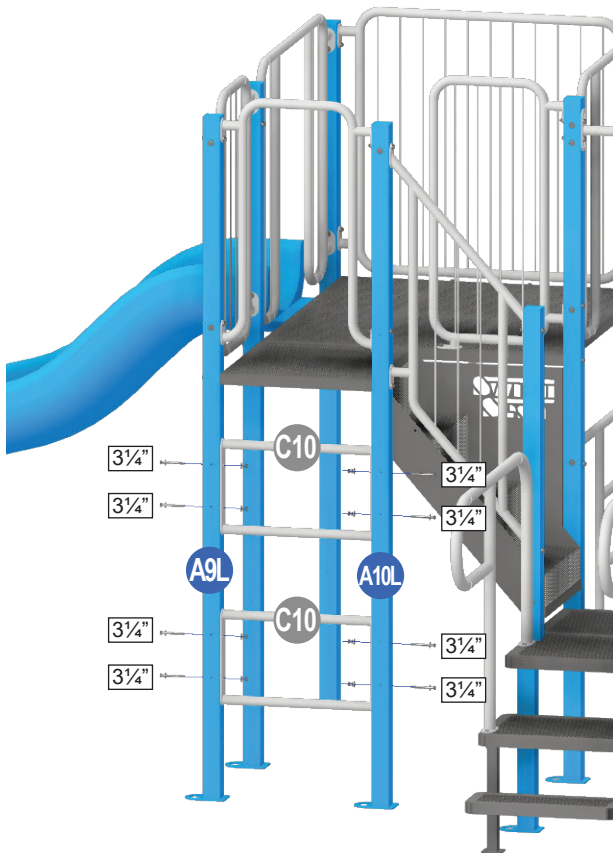
- A14** x2 Monkey Bar Post
- A15** x2 Monkey Bar Horizontal Support
- C10** x7 Monkey Bar Rungs

**HARDWARE REQUIRED:**

- x33** 3/4" bolt, 2 washers, lock washer, nut
- x1** 3/2" bolt, 2 washers, lock washer, nut

### STEP 11a

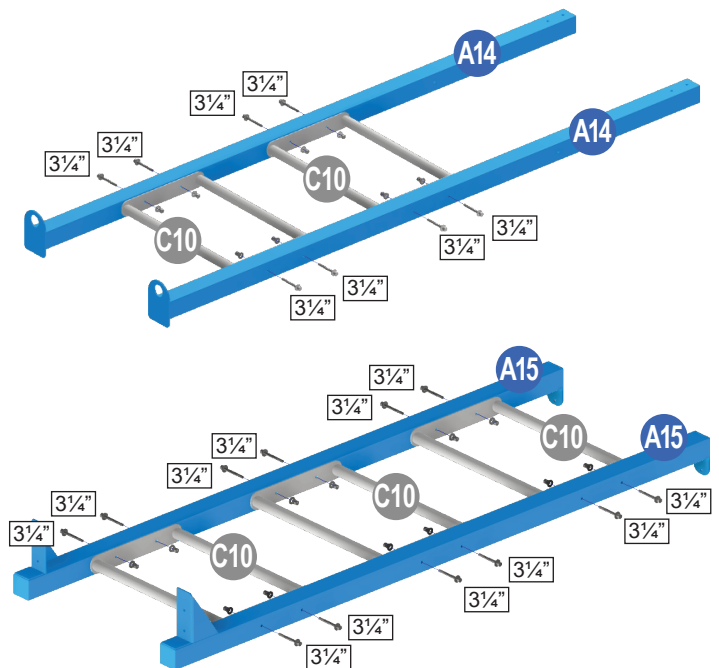
- Attach two (2) Monkey Bar Rungs **C10** between Posts **A9L** and **A10L** using eight (8) 3/4" bolts. If no slide is installed, the monkey bars can be installed between Posts **A8** and **A9L**.
- Tighten all bolts using wrenches.



**NOTE:** If no slide is installed, the Monkey Bars can be installed between Posts **A8** and **A9L** using one (1) 3/2" bolt on **A9L** and one (1) 3/4" bolt on **A8**.

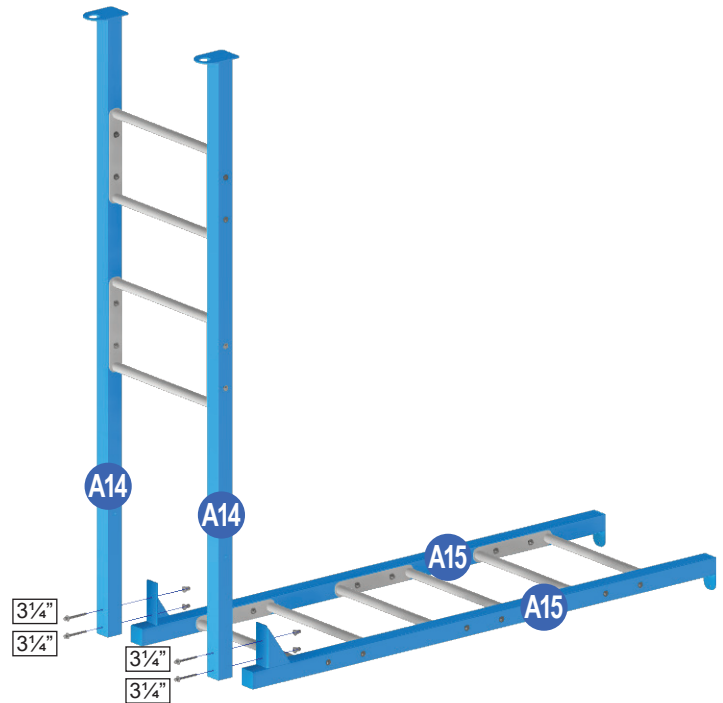
### STEP 11b

- On a soft surface on the ground, lay out the two (2) Monkey Bar Posts **A14** parallel to one another and attach two (2) Monkey Bar Rungs **C10** between them using eight (8) 3/4" bolts. Tighten using wrenches.
- On a soft surface on the ground, lay out the two Monkey Bar Horizontal Supports **A15** parallel to one another and attach three (3) Monkey Bar Rungs **C10** between them using twelve (12) 3/4" bolts. Tighten using wrenches.



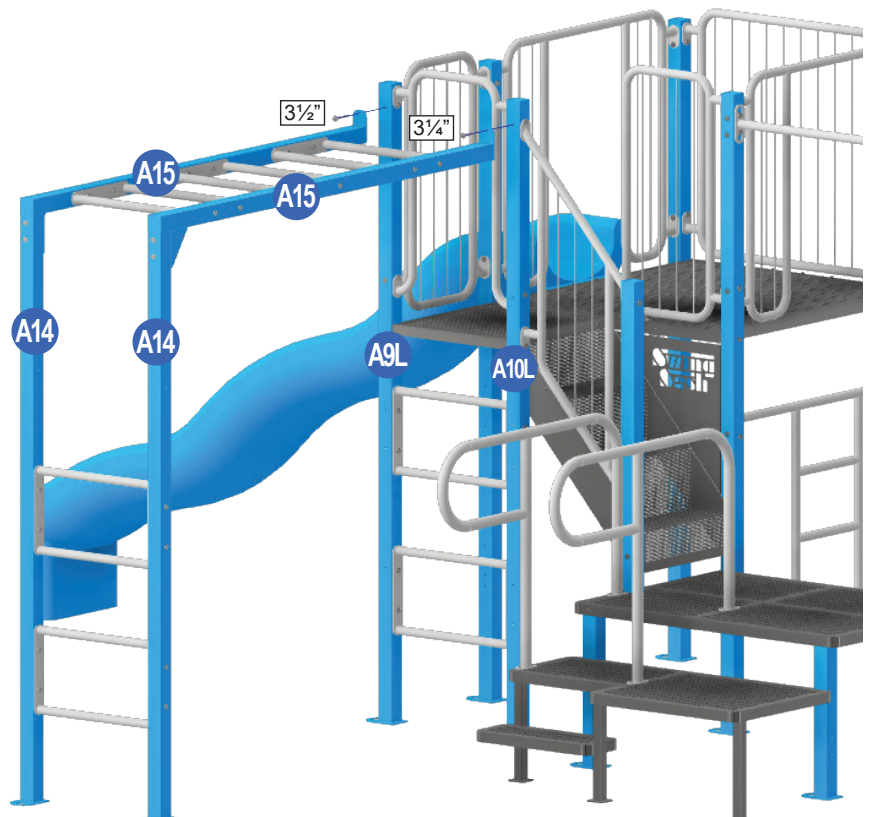
**STEP 11c**

- Align the **A14** and **A15** Assemblies from the previous Step 11b perpendicular to one another as shown.
- Bolt the two (2) Monkey Bar Posts **A14** to both **A15** using four (4)  $3\frac{1}{4}$ " bolts.
- Tighten all bolts using wrenches.



**STEP 11d**

- Turn over the Monkey Bar Assembly from Step 11c and place the feet of both **A14** Posts in their approximate final position.
- Tilt the Monkey Bar Assembly into place, aligning both **A15** to **A9L** and **A10L**.
- Bolt **A15** to **A9L** by replacing the existing  $3\frac{1}{4}$ " bolt with one (1)  $3\frac{1}{2}$ " bolt.
- Bolt **A15** to **A10L** using one (1)  $3\frac{1}{4}$ " bolt.
- Tighten all bolts using wrenches.



## STEP 12 Insert Earth Anchors

**PARTS REQUIRED:**

- D1** Earth Anchors (quantity varies depending on model features)

**NOTE:** If installing other attachments, such as a Climbing Extension, please review those instructions at this point for installation.

- Insert Earth Anchors **D1** through holes in feet of Posts **A4**, **A5**, and **A7** and through both feet of Swing A-Frame **A13**. If Monkey Bars are installed, insert Earth Anchors through the feet of both Posts **A14**. Anchors are required in the mentioned positions, but not necessary in every post foot; additional anchors can be purchased if desired.
- Use a 1/2" drive or impact driver to screw the anchors into place. Anchors must be placed below the level of the playing surface to prevent tripping or injury resulting from a fall.
- Earth anchors provided may not be adequate in certain soil types and the equipment may need to be anchored with larger anchors or concrete footers. It is the owner's responsibility to ensure the set is securely anchored.

## STEP 13 Attach Warning Label & Insert Plugs

**PARTS REQUIRED:**

Warning Label

**HARDWARE REQUIRED:**

Plugs (quantity varies depending on model features)

- Attach warning label to a prominent location on one of the equipment posts. This provides warnings concerning safety and important contact information. Warning label should be attached in a location readily visible to users in order to alert users to the potential hazards in time to take appropriate action.
- To prevent water intrusion, insert plugs provided into any unused bolt holes (varies by model and accessories). The bottom of each post has a weep hole; do not plug the weep hole. Plugs not required in Holed Posts.



# Limited Warranty

**We are confident in the quality of our products and dedicated to providing products that meet or exceed expectations.**

Subject to proper installation and normal residential use, SwingSesh warrants to the original purchaser all accessories to be free from defects in material and workmanship for a period of one year from date of purchase. Accessories will be repaired or replaced, at our option, and returned to the customer.

In addition, for a period of five years during which the original purchaser owns the set, SwingSesh warrants to the original owner all above ground steel components against structural failure. Steel components covered under this limited warranty will be replaced, free of charge, excluding freight and labor fees. Installation of any components or accessories will be the responsibility of the original purchaser.

SwingSesh reserves the right to examine photographs or physical evidence of merchandise claimed to be defective, and to recover said merchandise prior to disposition of warranty claims. No warranty is offered on equipment subjected to abuse, negligence, improper installation, vandalism, acts of God, unauthorized alteration or attachment of equipment other than our own, or improper use, service or repair by customer or any third party. This warranty does not cover normal wear and tear or color fading.

SwingSesh's sole liability under this warranty is strictly limited to the repair or replacement of any defective product. In no event shall SwingSesh's liability under this warranty exceed the actual cost of materials necessary for repair or replacement of the product covered, whichever is less. SwingSesh shall not be liable for incidental, indirect, or consequential damages caused by its products. Please supervise your children's play activity and maintain your play equipment periodically.

# Return Policy

**Thank you for being a valued customer of SwingSesh! Our goal is for every customer to be completely satisfied with their purchase, but we understand that occasionally this may not be the case and products may need to be returned.**

SwingSesh accepts the return of new, unused products that are unopened and in their original packaging. Please do not assemble or modify a product that you wish to return. Returns must be authorized and received within 30 days of delivery. For small parcel returns (apparel, accessories, etc), we do not require prior authorization, but returns must be received within 30 days of delivery.

Return shipping costs are the responsibility of the customer. We recommend using FedEx, UPS, or USPS to ship back any returns. We recommend that you insure return shipments and obtain tracking information. SwingSesh cannot be issued in full for items damaged in return shipping or items that are not received.

The return address is: SwingSesh LLC, 838 21 1/2 Rd, Grand Junction CO 81505

A credit will be issued following the receipt of the returned items. All items are inspected to ensure that they are received in new condition, without damage, before a return is processed. Please allow 3-5 business days, after the return is received, to see the credit on your account. Return credit will be issued via the original payment method.

Please note that shipping charges are non-refundable. If products were shipped with free shipping the refund for the product will be less the actual shipping costs. SwingSesh reserves the right to reject any return that does not meet the return standards and may charge a re-stocking fee for returns up to 20% of the product cost.