

CITY HOOPS

Backstop Netting Installation Instructions

Model: BBN-810



WARNING



FAILURE TO COMPLY WITH ANY OF THE WARNINGS IN THESE INSTRUCTIONS MAY RESULT IN SERIOUS PERSONAL INJURY.

FAILURE TO COMPLY MAY ALSO RESULT IN PROPERTY DAMAGE. PLEASE HEED ALL WARNINGS AND CAUTIONS TO ENSURE YOUR SAFETY.

DO NOT ATTEMPT TO ASSEMBLE THIS SYSTEM WITHOUT CAREFULLY READING AND FOLLOWING ALL INSTRUCTIONS. BEGIN BY IDENTIFYING AND TAKING INVENTORY OF ALL PARTS USING THE PARTS LIST PROVIDED.

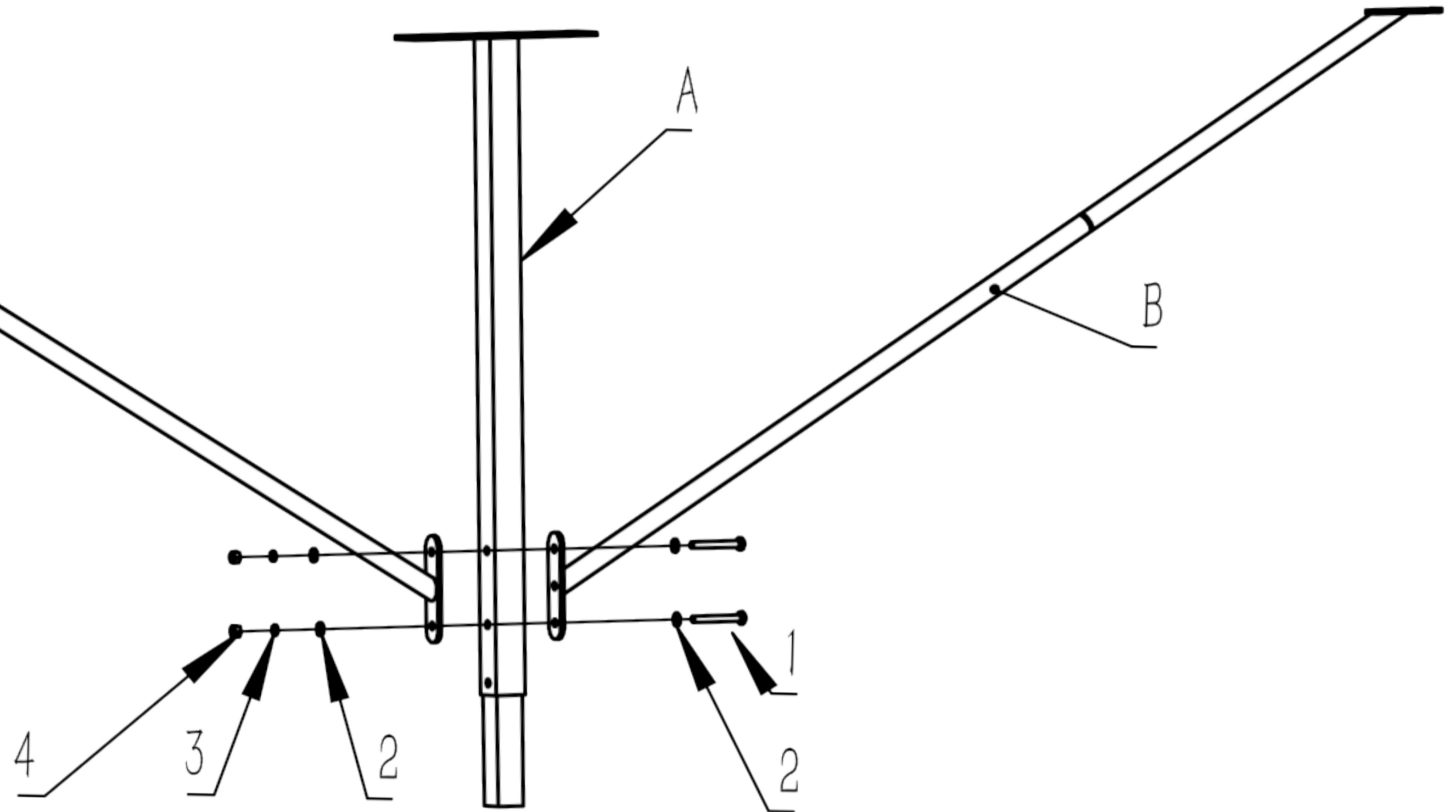
Keep this instruction manual in case you have to contact the manufacturer for replacement parts.

P A R T L I S T

R e f	Q T Y	Descripton
A	1	Support frame fixed pipe assembly
B	2	The Left and right support frame
C	1	Defensive net fixed frame base
D	2	Defensive net support tube 1
E	2	Defensive net support tube 2
F	1	Defensive net
1	2	Hex Bolt M8*70
2	4	Flat Washer 8;
3	2	Lock Washer M8
4	2	Hex Nut M8;
5	2	Hand twist bolt M10*20
6	4	Hex Bolt M8*50
7	8	Flat Washer o8;
8	4	Lock Washer M8
9	4	Hex Nut M8;
1 0	2	HexBolt M12*185
11	2	HexBolt M12*335
1 2	4	Flat Washer o12
1 3	2	Lock Washer M12
1 4	2	Hex Nut M12
1 5	2	sleeve L=100mm
1 6	2	sleeve L=50mm
1 7	6	Ground nail

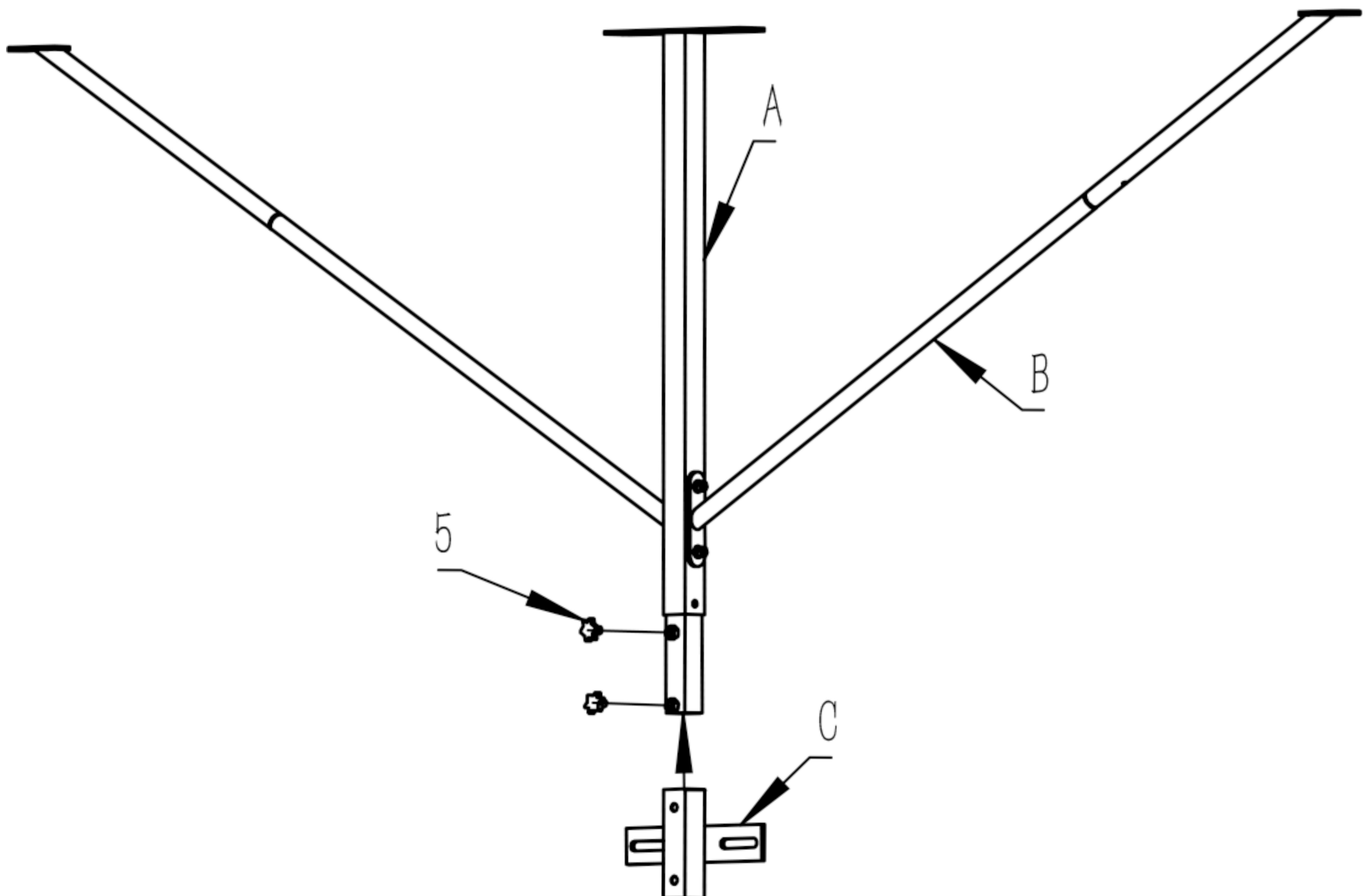
STEP 1

A: As shown in the figure, connect the support frame fixing pipe (A) and the left and right support frames (B) with hex bolts M8*70 (1), flat washers $\varphi 8$ (2), spring washers (3) and hex nuts (4).



STEP 2

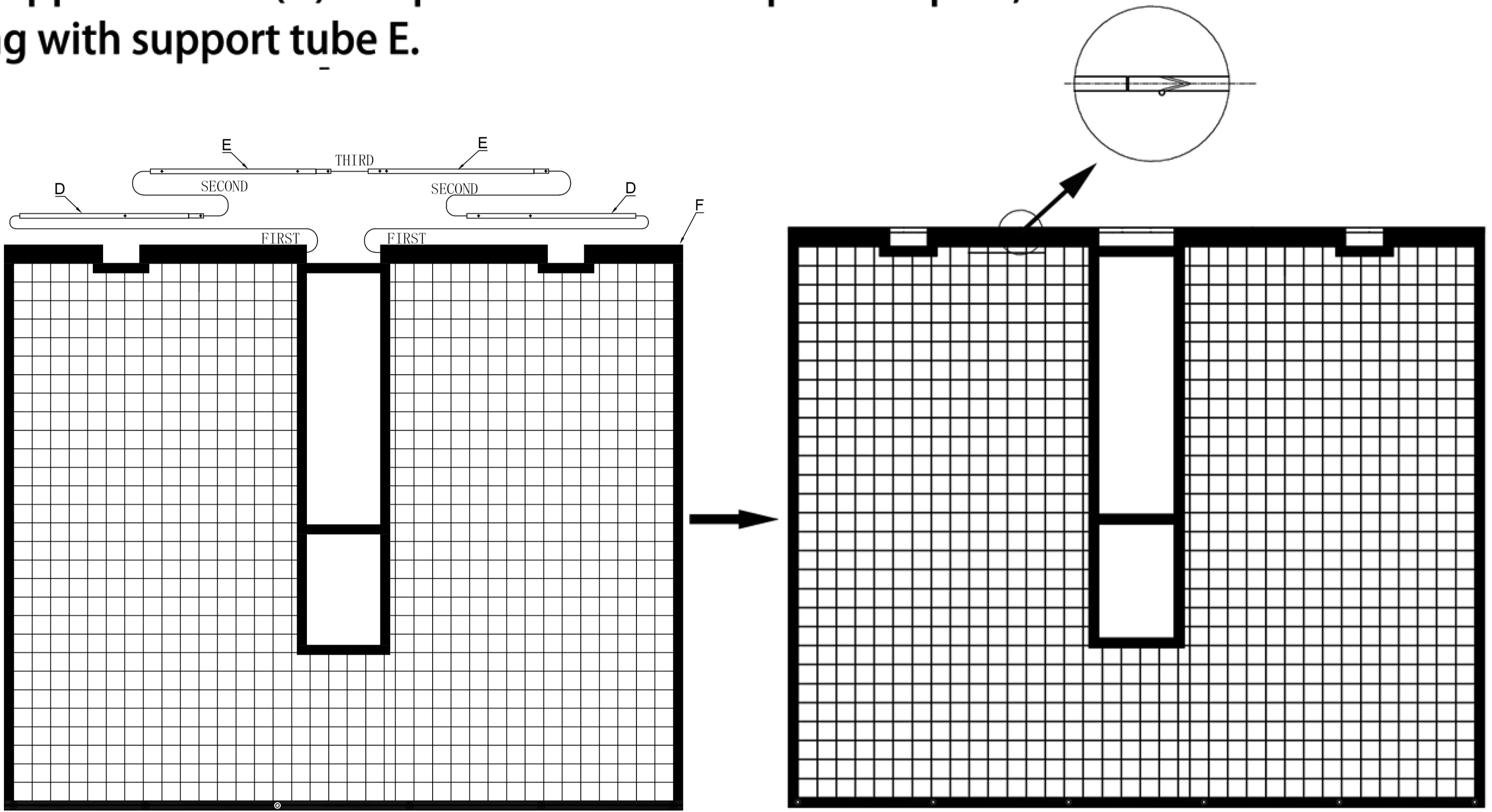
A: As shown in the picture, install the base (C) of the net holder. Connect with bolt M10*20 (5).



STEP 3

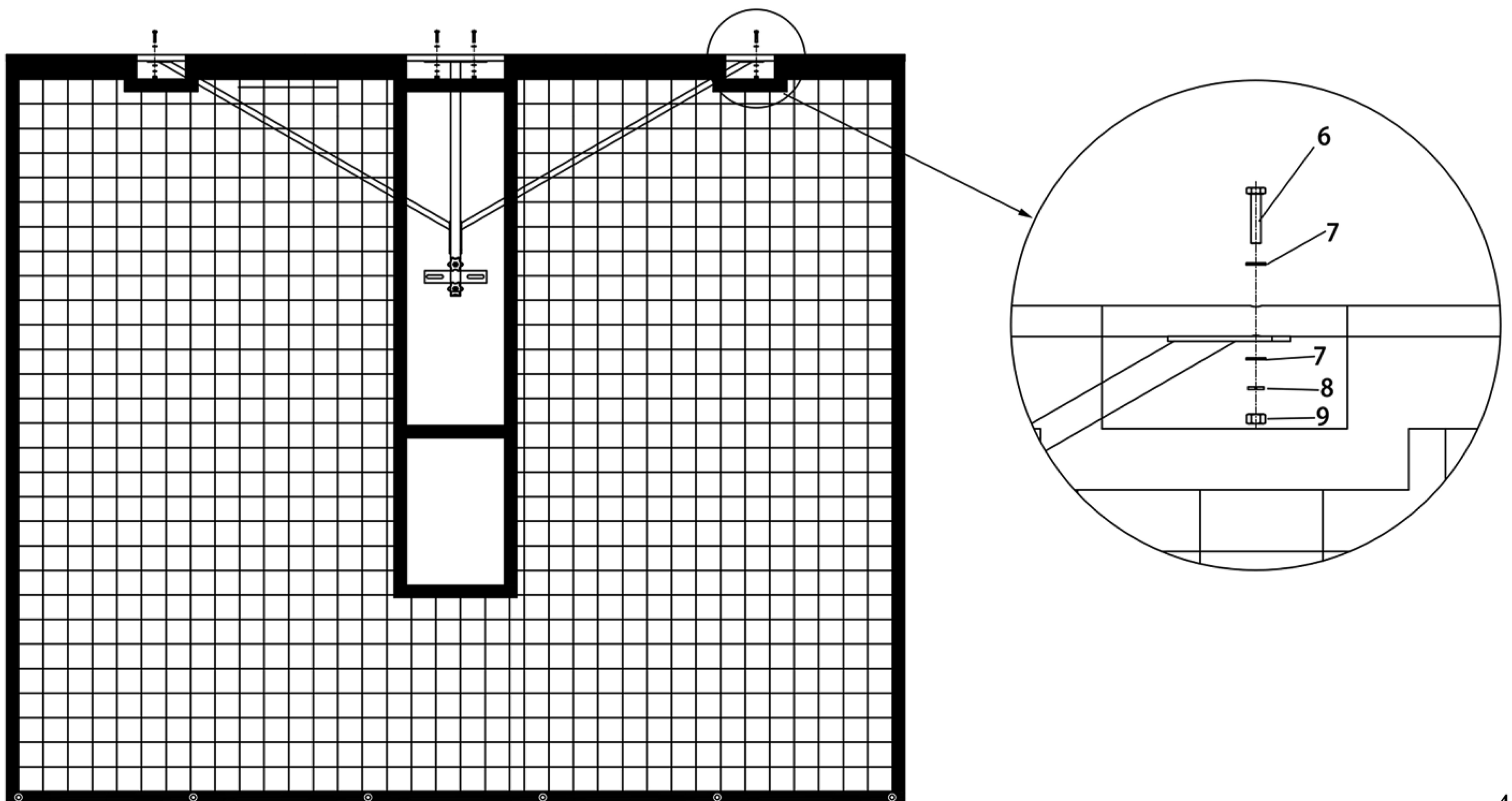
A: As shown in the picture, connect the support pipes 1 (D) and 2 (E) with the basketball defensive net (F). Tear off the Velcro of the net (F), insert support tube 1 (D) into one end of the net (F), connect the support tube 2 (E) and then connect another support tube 1 (D).

Note: Support tube 1 (D) has pre-installed V-shaped shrapnel, which can be connected by pressing with support tube E.



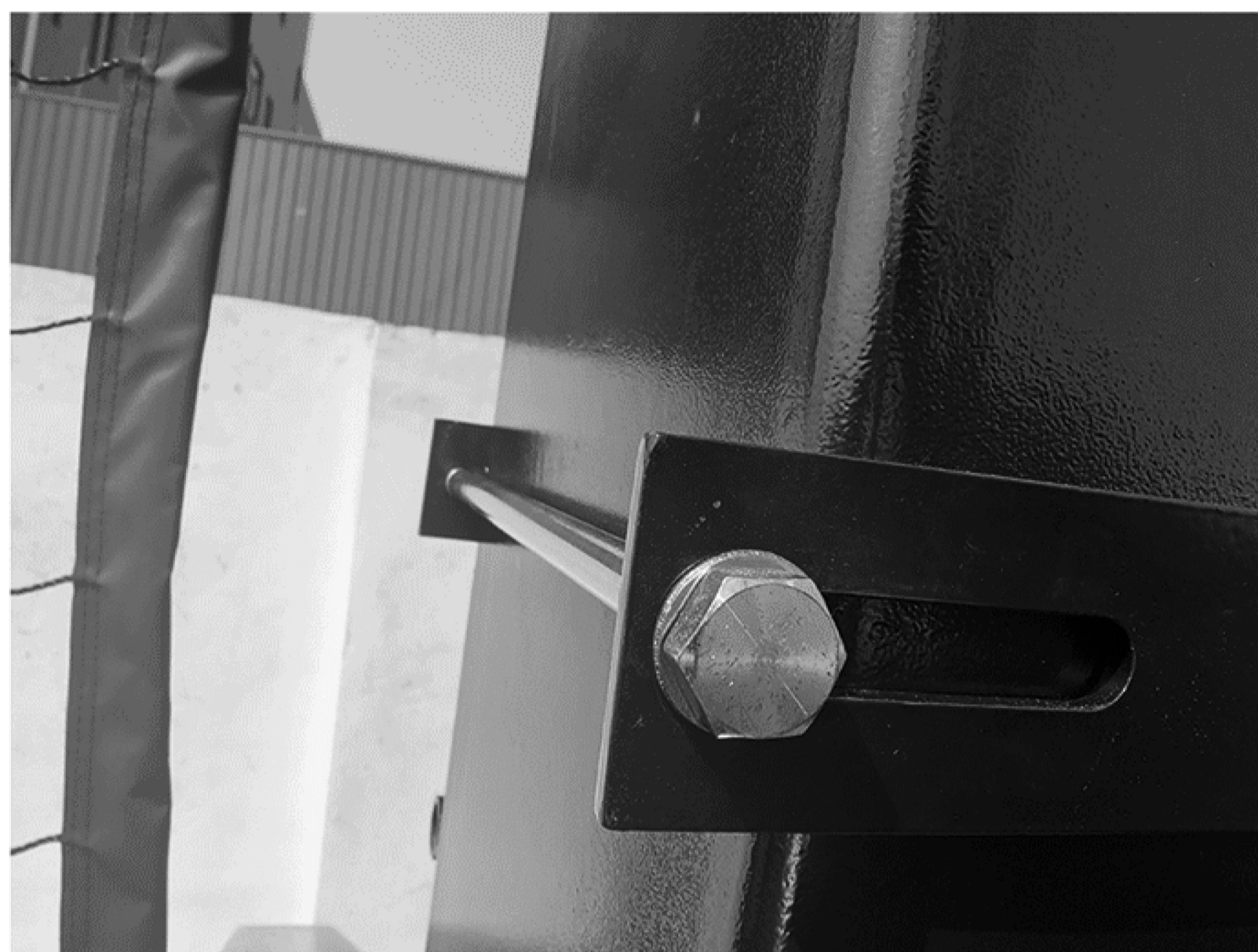
STEP 4

A: As shown in the figure, install step two components and step three components. Connect with hexagon bolt M8*50 (6), flat washer (7), spring washer (8) and hexagon nut (9).



STEP 5

A: Install the defensive net on the basketball hoop pole. Please adapt the screw M12*185 (10) or M12*335 (11) according to the size of the pole. Please use it with flat washer (12), spring washer (13), hexagon nut (14) and pipe sleeve (15/16) .



STEP 6

A: As shown in the figure, pass the ground nail through the reserved round hole and insert it on the ground.