

CITY HOOPS

City Hoops **Diamond** Basketball System
MODEL: CHDIA

QUICK SPECIFICATIONS

Designed for adjustability with safety in mind for durability & high traffic play.

BACKBOARD

- Size: 72"x42" (Regulation)
- Material: Tempered Glass
- Frame: Reinforced steel
- Heavy duty gusset padding 50mm
- NBA double spring 180-degree breakaway rim with nylon net

DIMENSIONS

- Rim Height: 1524mm / 5' - 3048mm / 10'
- Overhang 1524mm / 5' at regulation height (10')
- Footing depth 1220mm / 5'

EXTENSION ARM

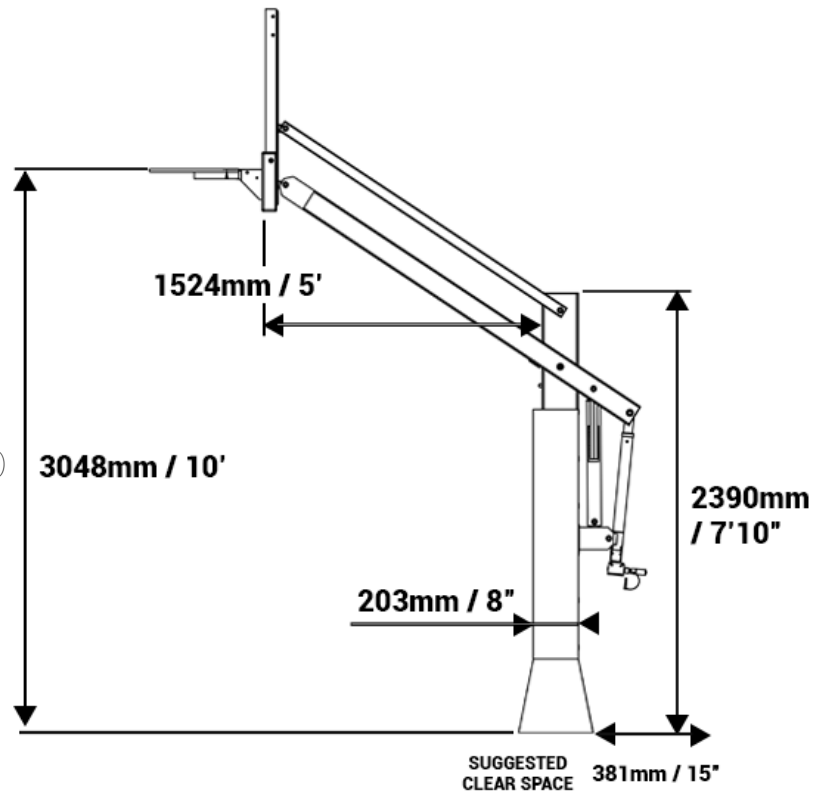
- Angled & completely out of play area
- Clear view, attaches to backboard base

STEEL POLE

- Bolt-on, In-ground footing anchor system
- 203mm / 8" square galvanized steel post
- 50mm / 2" thick fitted pad for safe play

ALL WEATHER PROTECTION

- Galvanized hot dipped steel
- Black powdercoat finish
- Stainless steel hardware



CANADA

sales@diycourt.ca
www.diycourt.ca

UNITED STATES

sales@cityhoops.com
www.cityhoops.com

CITY HOOPS