

Perimeter Security & Surveillance

The MTech CRAD-0 is optimized as a cost-effective commercial solution to enhance perimeter security of high-value sites. CRAD-0 is a highly scalable solution that is configurable to match the Customer's expectations of performance, viewing ranges and interfaces.



Features

- CRAD-0 payload includes
 - Hi-res daylight camera
 - IR illuminator
- Configurable options including:
 - SWIR, LWIR
 - LRF, Laser dazzler
 - Acoustic director/sensor
 - RF director/sensor
 - Slew-to-cue
 - Target tracking function
 - Autonomous scan, detect and warn
- Mid to long range surveillance
- ONVIF-S protocol enabled

Applications

- Built for commercial end-use
- Enhanced situation awareness
- Visual confirmation of intrusion into protected site
- Tuned for counter-drone solution
- Vehicle mounted surveillance
- Land based surveillance
- Marine vessel mounted surveillance



Benefits

A capable and cost-effective daylight commercial solution to enable long-range visual surveillance over the Customer's high-value site resulting in enhanced security management.

MTECH CRAD-0

Specifications and Options

Visible block camera specifications

SENSOR	1/1.8" CMOS, Global shutter	SENSOR FORMAT, H x V	2064 x 1544, 3.2MP
FRAME RATE	Up to 30 fps	OPTICAL ZOOM	Up to 28x
WDR	Yes, up to 130dB	VIDEO COMPRESSION	H.264 / MJPEG
MINIMUM ILLUMINATION	0.013 lux (low sensitivity) 0.0013 lux (hi sensitivity)	FOV, HORIZONTAL	720p: 37.1° to 1.33° 1080p: 54° to 1.99°
FOCUS	Auto	IRIS	Auto
AUTO GAIN CONTROL	ON / OFF	SHUTTER SPEED	1 to 1/10,000 sec
BACK LIGHT COMPENSATION	ON / OFF	AUTO WHITE BALANCE	ON / OFF
FOG PENETRATION MODE	ON / OFF	DAY & NIGHT	IR cut filter (auto/manual)

IR Illumination

WAVELENGTH	808/940±10 nm	OPTICAL POWER	2.2W
SPOT SHAPE	Circular	ILLUMINATING DISTANCE	Up to 500m

Pan & Tilt Mechanism

AZIMUTH / PAN	360° continuous	ELEVATION / TILT	± 45°
PAN PRESET SPEED	100°/sec max	TILT PRESET SPEED	25°/sec max

General

NETWORK CONNECTIVITY	Ethernet	COMM INTERFACE	Ethernet
ENCRYPTION	SSL, AES, TLS	VIDEO STREAMING	Dual stream, H.264
COMPLIANCE	ONVIF – Profile S	ELECTRICAL POWER	+22 to +30 VDC
DUST / WATER PROTECTION	IP66	OVERALL WEIGHT	~20 kg w/o ext payload

Range at NFOV*

<i>* for guidance only</i>	Small drone, 350x350 mm	Large drone, 750x750 mm	Small boat/vehicle, 3x1 m
RECOGNITION	~ 1.7 km	~3.6 km	>6 km
IDENTIFICATION	~ 1 km	~ 2 km	> 4 km

Compliances

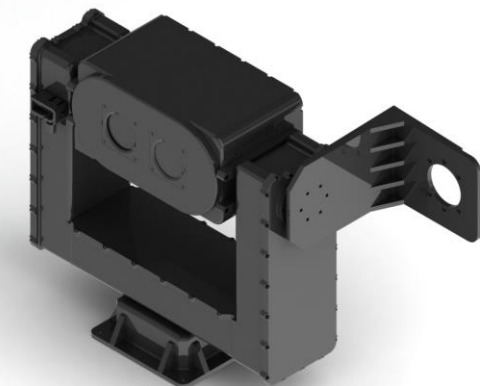
CE	Yes	ROHS	Yes
----	-----	------	-----

OPTION: Target tracking function

MULTIPLE OBJECT DETECTION	Yes	MOVING OBJECT DETECTION	Yes
TARGET TRACKING	Single, Operator assigned	IMAGE ENHANCEMENT	Yes
VIDEO FRAME RATE	Up to 30 fps	VIDEO INPUT CHANNELS	2

OPTION: Add-on payload

SYNCHRONIZED PAN/TILT	Yes	MOUNTING BRACKET	Yes
ADD-ON PAYLOAD OPTIONS	Laser dazzler, Directional antenna, Acoustic sensor/transmitter		



- ☑ CRAD-0 with external mounting for add-on payload options
- ☑ Flexible configurations
- ☑ Customizable integration and controls
- ☑ Synchronized pan and tilt angles
- ☑ Aligned to camera view

The Company reserves the right to update these specifications due to changes in design, technology and improvements without prior notice.

Version 3