


SIDE STEPS

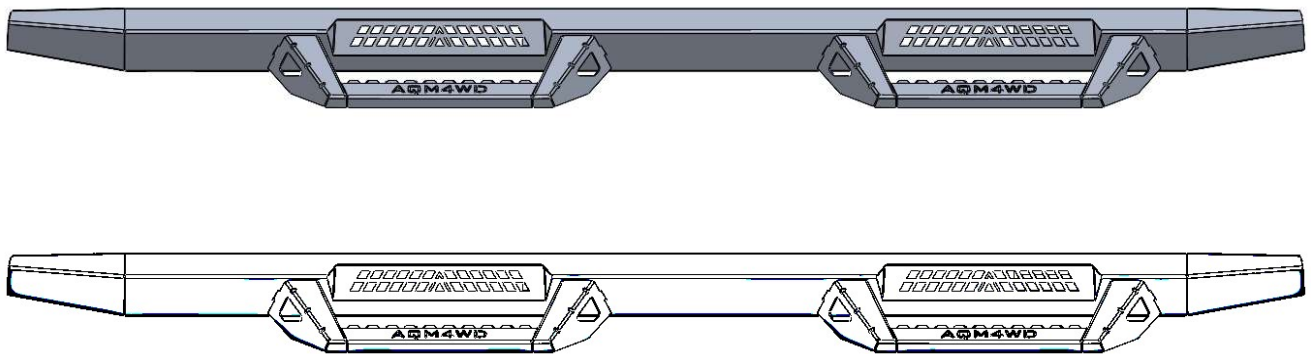
Go to Index 

RUBICON GLADIATOR 21+

AQM-T32



MOUNTING INSTRUCTION COMPATIBLE FOR ALL THREE PRODUCTS



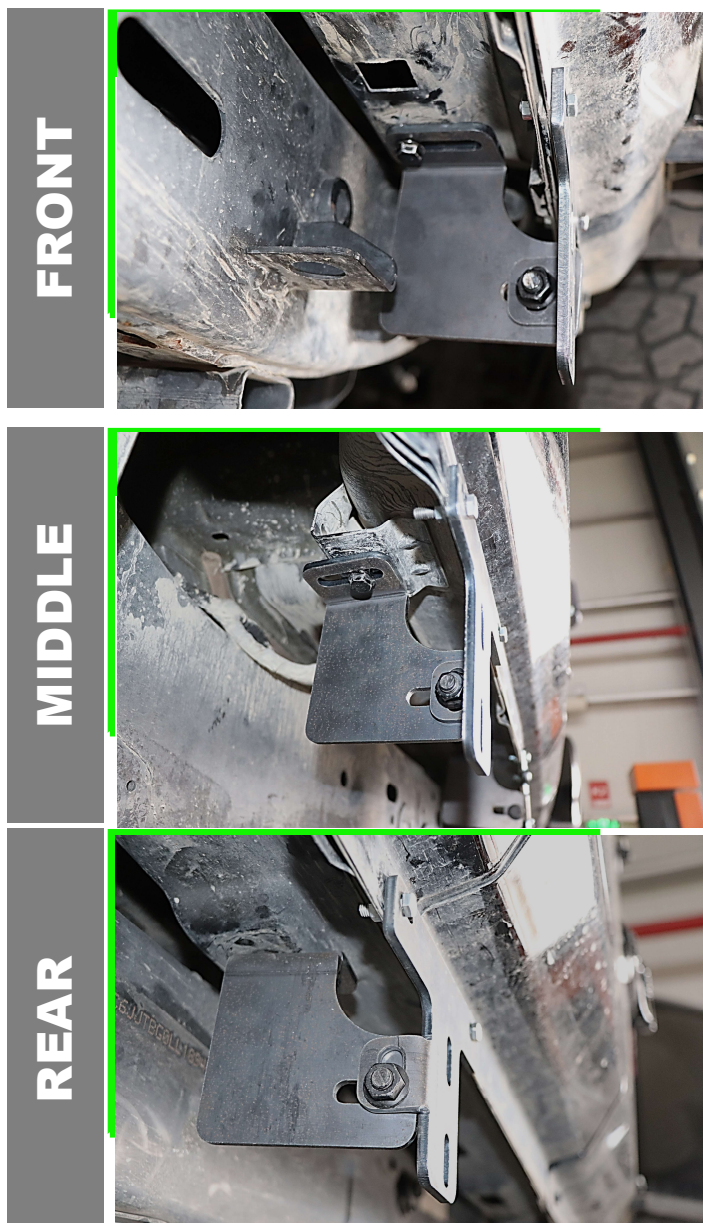
**VERIFY YOU HAVE ALL THE COMPONENTS BEFORE STARTING THE INSTALLATION.
REFER TO THE ENGINEERING DRAWINGS AT THE END OF THIS DOCUMENT FOR A COMPLETE
PARTS LIST**

2201TR - 01

[Go to Index](#)



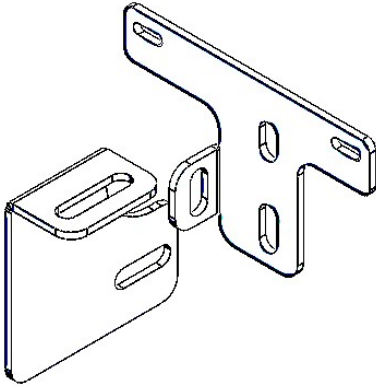
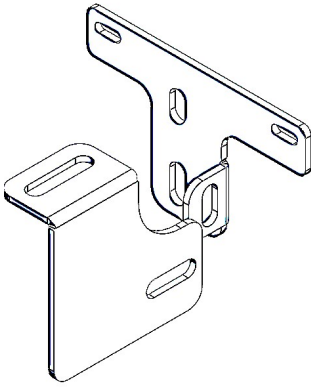
1. Mount Installation



Go to Index



2. Mount Kit



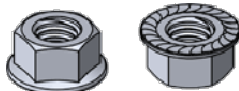
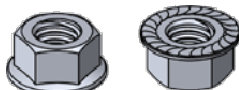
Designation	Name	Q'ty
	L	4 pcs
	R	4 pcs

2201TR - 01

Go to Index



3. Bolt Kit

Designation	Part No	Name	Spec.	Q'ty
		Bolts	DIN 6921 (M10X25)	8 pcs
		Bolts	DIN 6921 (M8X25)	8 pcs
		Bolts	M6x30	16 PCS
		Nuts	DIN 6923 M10	24 pcs
		Nuts	M6	16 pcs
		U Bolts	Amarok Special M10x45	8 pcs
		Washer	M8	16 pcs
		Plastic Washer	M8	16 pcs

2201TR - 01