



Tranquility Pedicure Sink

Model # PRO TRNQ

Dimensions: 17.72”L x 17.25”W x 9.38”H

Weight: 35 lbs.

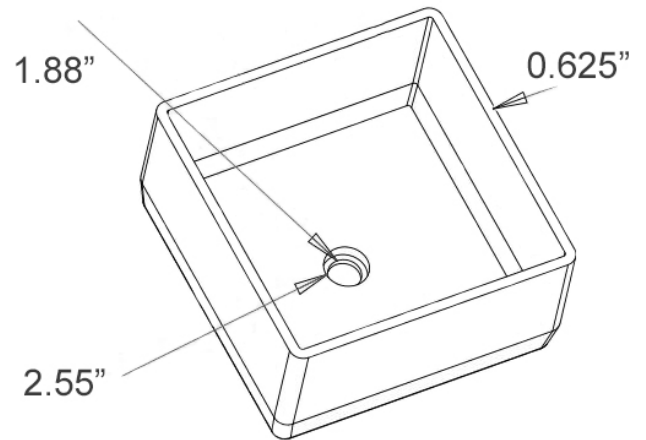
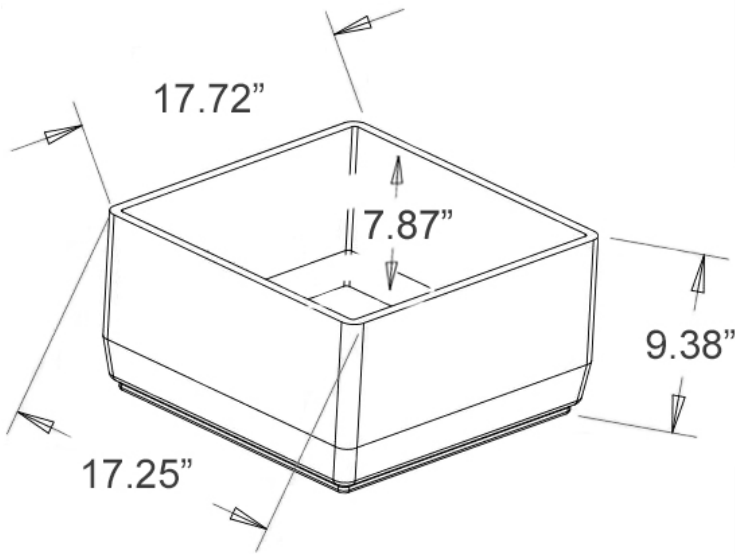
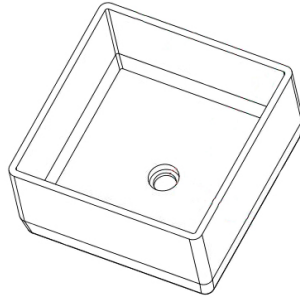
Material: Ceramic

Sink Type: Soaker (non-jetted)

Install Type: Surface Mount

Warranty: 1 Year

All measurements are approx.



Tranquility Pedicure Sink

Sink Specifications

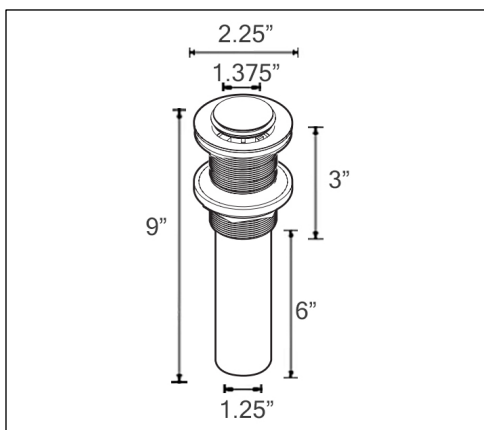
- Overall Sink Dimensions: 17.72" L x 17.25"W x 9.38"H
- Rim Thickness: 5/8"
- Weight: 35 lbs.
- Water Capacity: 5 US Gallons (approx.)
- Color: White
- Surface Mount Installation
- Stationary Application (non-portable)

Sink Features

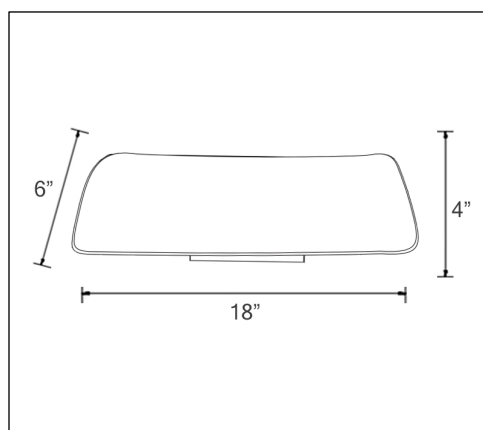
- Poured ceramic and stone mix construction throughout
- Smooth polished interior and exterior finish
- Pre-drilled drain hole
- Fits up to a men's size 13 foot
- 1 Year Warranty against any manufacturer defects (does not cover stain / discoloration by use of harsh chemicals)

Accessory Details & Specs (optional)

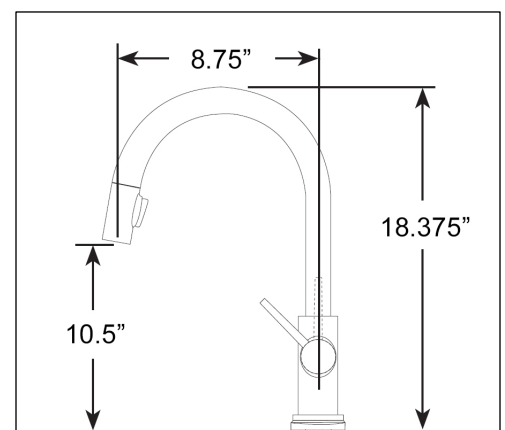
- Drain: 1 1/4" Pop-up W/O Overflow (cUPC approved)
- Removable Footrest: 18" L x 6" D x 4" H
- Faucet Height Clearance: 10.5" (High Spout Model) cUPC approved
- Faucet Swivel: 360 Degrees (High Spout model)
- For detailed accessory specifications please refer to individual product page/specs



Pop-U Drain



Removable Footrest



Pullout Faucet (High Spout Model)

Note

Specifications and details are subject to revisions without notice. For most current specs contact our office