



Meridian

PEDICURE • MANICURE • BEAUTY

Tranquility Air Pedicure Sink

Model # PRO TRNQ AIR

Dimensions: 17.72”L x 17.25”W x 9.38”H

Weight: 35 lbs.

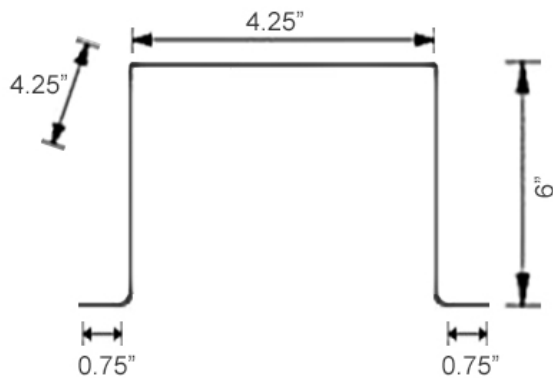
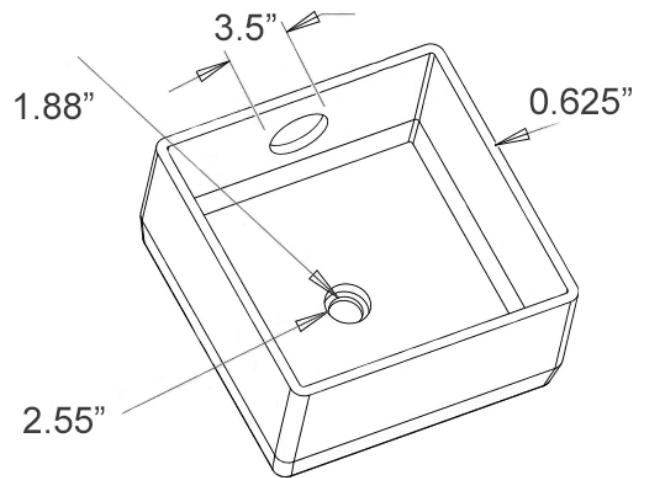
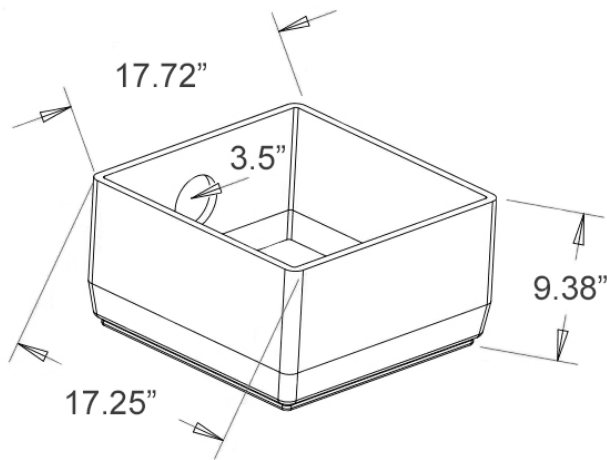
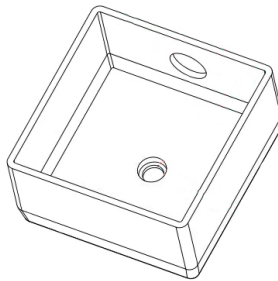
Material: Ceramic

Sink Type: Air Jetted / Whirlpool

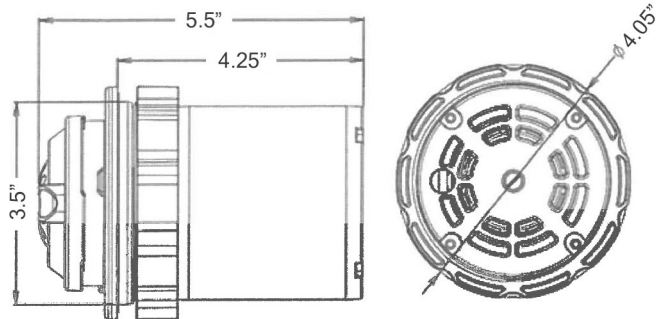
Install Type: Surface Mount or Recessed

Warranty: 1 Year

All measurements are approx.



Jet Guard (optional)



Air Jet Specs

tel: 866.730.7727

email: info@meridianspas.com

web: [meridianspas.com / spabowls.com](http://meridianspas.com/spabowls.com)

MERIDIAN SPAS

MANICURE * PEDICURE * BEAUTY

Tranquility Air Pedicure Sink

Sink Specifications

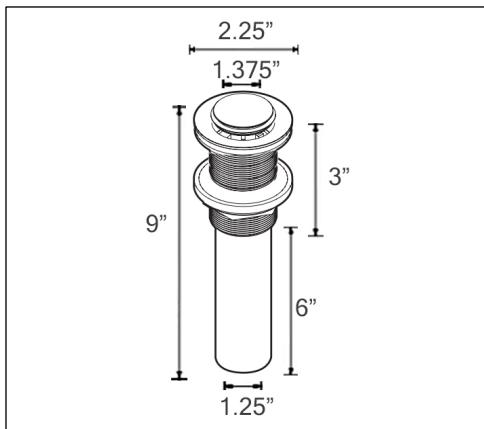
- Overall Sink Dimensions: 17.72" L x 17.25"W x 9.38"H
- Sink With Jet / jet Guard: 17.72"L x 21.5 W x 9.38"H
- Weight: 35 lbs.
- Airjet: 120V / 0.5 AMP / 60Hz / 50W (UL Approved)
- Air actuated power supply with switch (ETL listed)
- Dedicated GFCI Required
- Water Capacity: 5 US Gallons (approx.)
- Color: White

Sink Features

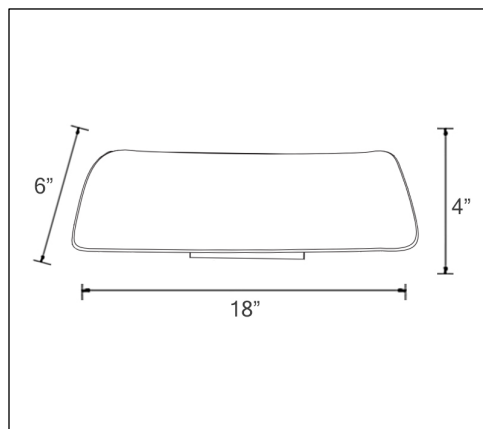
- Poured ceramic and stone mix construction throughout
- Smooth polished interior and exterior finish
- Pre-drilled drain hole
- Fits up to a men's size 13 foot
- 1 Year Warranty against any manufacturer defects (does not cover stain / discoloration by use of harsh chemicals)

Accessory Details & Specs (optional)

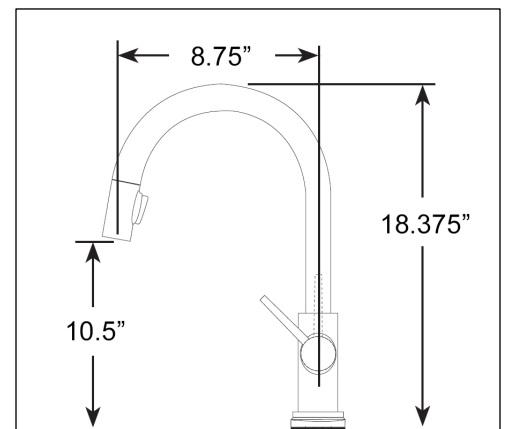
- Drain: 1 ¼" Pop-up W/O Overflow (cUPC approved)
- Removable Footrest: 18" L x 6" D x 4" H
- Faucet Height Clearance: 10.5" (High Spout Model) cUPC approved
- Faucet Swivel: 360 Degrees (High Spout model)
- For detailed accessory specifications please refer to individual product page/specs



Pop-U Drain



Removable Footrest



Pullout Faucet (High Spout Model)

Note

Specifications and details are subject to revisions without notice. For most current specs contact our office