



USER'S MANUAL

PETRA GX / G5

Please read user's Manual thoroughly
before using pedicure spa

Table of Contents

Table of contents	2
User's Recommendation	3
Limited Warranty (Registration Form)	4
After Service Inquiry form	5
Introduction & Safety	6
Installation consideration	7
Identify parts & Description	8
Specification	9
Dimension	10
Drain Connection	11
Installation Summary	12
Magna-Jet Pipeless System.	13-14
Infiniti Pipeless motor System	15
Drain Discharge Pump (Optional)	16
Massage Remote control - Functionality	17
Massage Chair Mechanism - ID	18
Assembly Instruction (Massage Chair)	19
Operation and Instruction (Massage Chair)	20
Cleaning And Maintenance (Upholstery)	21
Cleaning and Disinfecting instruction	22
Trouble Shooting	23-24
BackFlow Protection	25
Limited Warranty	26



USER RECOMMENDATION

PLEASE READ THE MANUAL THOROUGHLY BEFORE USE TO ENSURE CORRECT OPERATION.
THOSE UNDER A DOCTORS CARE OR WHO ARE EXPERIENCING ONE OR MORE OF THE FOLLOWING CONDITIONS SHOULD CONSULT THEIR DOCTOR BEFORE USE.

MFG suggests NOT to use, if show a sign of the discomfort or any similar symptom/s described below

- You are receiving medical treatment or are feeling ill.
- Your body shows any acute symptoms.
- You have heart disease.
- You are pregnant or having a menstrual period.
- Your doctor has ordered you to rest.
- You have a back disorder resulting from an accident or disease.
- You have a high fever.
- You have sensory disorders.
- You have medical electrical device (e.g. pacemaker).
- You have service interruption in the circulation of the legs.
- You are diabetic. (Type 1, 2, Prediabetes and Gestational diabetes)

FAILURE TO DO SO MAY RESULT IN ACCIDENTS AND HEALTH PROBLEMS.



Introduction

Thank you for purchasing the **PETRA**Whirlpool Pedicure Spa. This finest Whirlpool Pedicure Spa has been developed by J&A USA,inc. To operate dependably for many years when used properly. Please take time to read this manual thoroughly before installation and use.

PLEASE READ AND FOLLOW INSTRUCTIONS CAREFULLY!

Important Precautions

J&A USA requires that you contact your local, qualified electrician and plumber to install your **PETRA**Whirlpool Pedicure Spa. It cannot operate efficiently or safely unless it is provided with adequate electrical power, sufficient water pressure, proper water temperature and required drain facilities. Information on these important subject contained on this manual. We urge you to read it carefully to make sure these requirements are met.

Precautions

1. Excessive water temperature is dangerous and should be checked before use. Maximum water temperature should Not exceed 120 degree F (See Hot Water Boiler Manual)
2. Always enter and exit the whirlpool Pedicure Spa slowly and carefully.
3. Never bring and/or operate any electrical devices into or near the Whirlpool Pedicure Spa.
4. Do not stand in the Whirlpool tub!
5. This Whirlpool Pedicure Spa has a weight capacity of 250 lbs.

WARNING

Do not use if you are diabetic, have poor blood circulation, or if any area of your feet or legs are inflamed or have open wounds. Consult a physician before using if you have any kind of fungal infection, swelling, fracture, or persistent pain.

MESSAGE SHOULD BE PLEASANT AND COMFORTABLE.

IF YOU EXPERIENCE PAIN OR DISCOMFORT, DISCONTINUE USE IMMEDIATELY AND CONSULT A PHYSICIAN

This product in whole is in compliance with applicable UL LISTED standards and requirements for the U.S and Canada By Underwriters Laboratories Inc.



Some of the components of this product are Also in compliance with applicbale Safety standards of following:



Important Install Considerations

Electrical Service

110V, 60Hz, 15Amp GFCI protected grounded circuit **MUST** be used to supply power each individual pedicure spa. And the main circuit breaker **MUST** be at 25Amp. For maximum of two units per each electrical outlet.

Water Supply

All plumbing connections must conform to local codes.

Water supply to the spa should be provided with adequate water pressure and water temperature.

Water pressure

To fill the basin correctly up to level, Normal water pressure of 30 to 80 P.S.I is required.

Water temperature

The hot water supply temperature must not exceed 120°. Adjust your hot water accordingly. For hot and cold water supply fittings and drain fittings location, see below diagram .Carefully connect the water supply line to the appropriate fittings located on the rear of the pedicure spa. (Ref. to hot water boiler setting recommendation)

Pressure / Temperature (Faucet Spec)

Maximum Pressure: 150 psi (10 bars)

Minimum Pressure: 10 psi (69kPa)

Working Temperature: 33F to 140F constant; intermittent to 180f
(0.6C to 60C sustained; intermittent to 82.2C)

Recommended Flow: 1.5gpm

UL LISTED / CE CERTIFIED

Compliance with following Code (s): Uniform Plumbing Code, National Plumbing Code of Canada and international Plumbing Code. Also, Compliance with following Standard (s): ASME A112.18.3M / A112.18.1M, CSA B125, NSF / ANSI 61

ANSI - American National Institute, ASME - American Society of Mechanical Engineers, CSA - Canadian Standard Association IAPMO - International Association of Plumbing and Mechanical Officials, UL - Underwriters Laboratory

All J&A USA products has been compliance with requirements for Whirlpool bath appliances contained in ASME / ANSI A112.18.3M / A112.18.1M, CSA B125, NSF / ANSI 61 and with dual backflow protection Compliances with following standard (s):AMSE A112.18.3-2002 (R2008) AND ASME A112.18.1-2012 / CSA B 125.1-12

**** Vaccum Breaker Protection**

Due to Town and / or State requirement/s are varies in building code, if the Town and / or State requires Vaccum Breaker, As the Plumber **MUST** provide Vaccum Breaker according to building code requirement.

Drain Facilities

The pedicure spa Drain must meet local plumbing codes. **Check valve for Drain (not Provided) Must be installed by a licensed plumber.** Also Pedicure spa must be securely fasten to the floor.

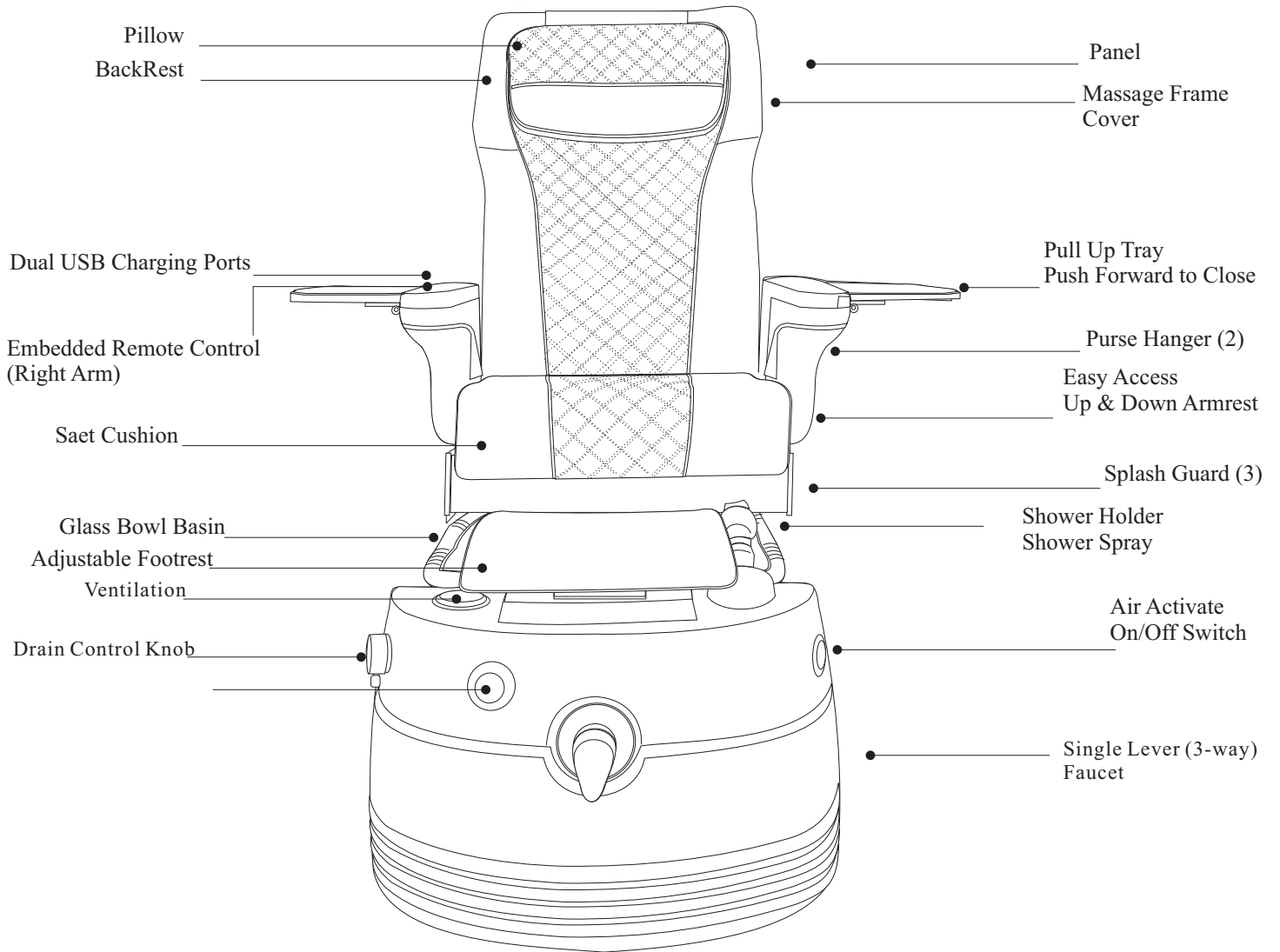
Installation Summary

The installation must comply with local, state, and federal building, plumbing and electrical codes, where applicable. A licensed plumber should complete the plumbing of the pedicure spa.

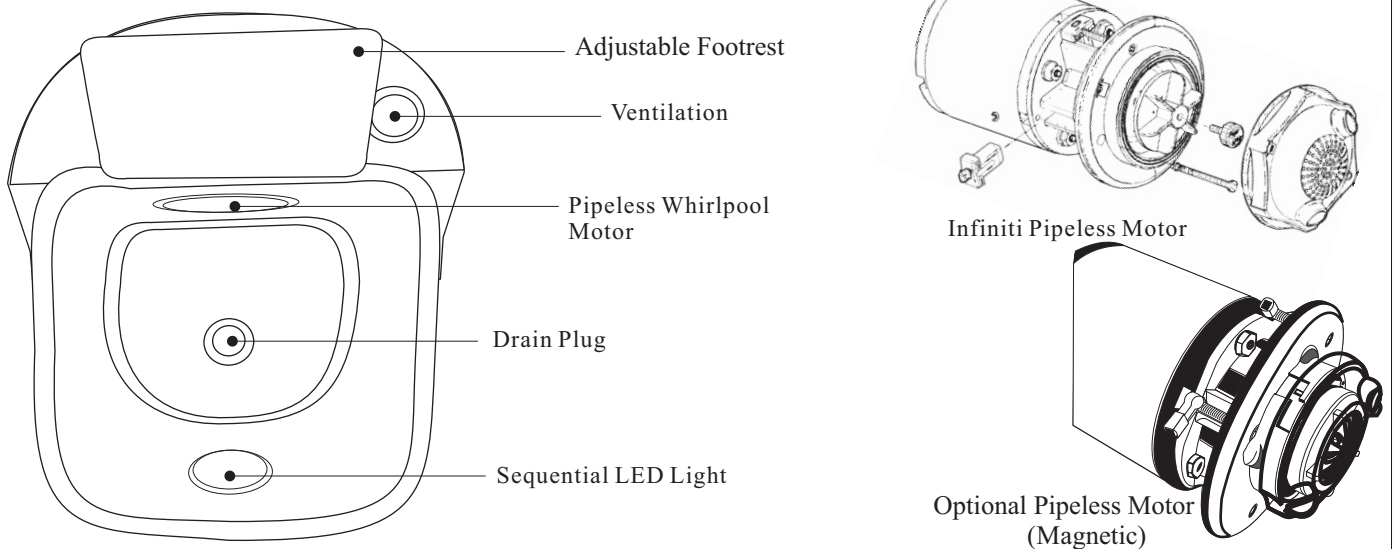
Note: Failure to comply with federal, state, or local codes and ordinances will result in warranty being nullified and void.

PETRA GX / Type G5

IDENTIFICATION



BASIN



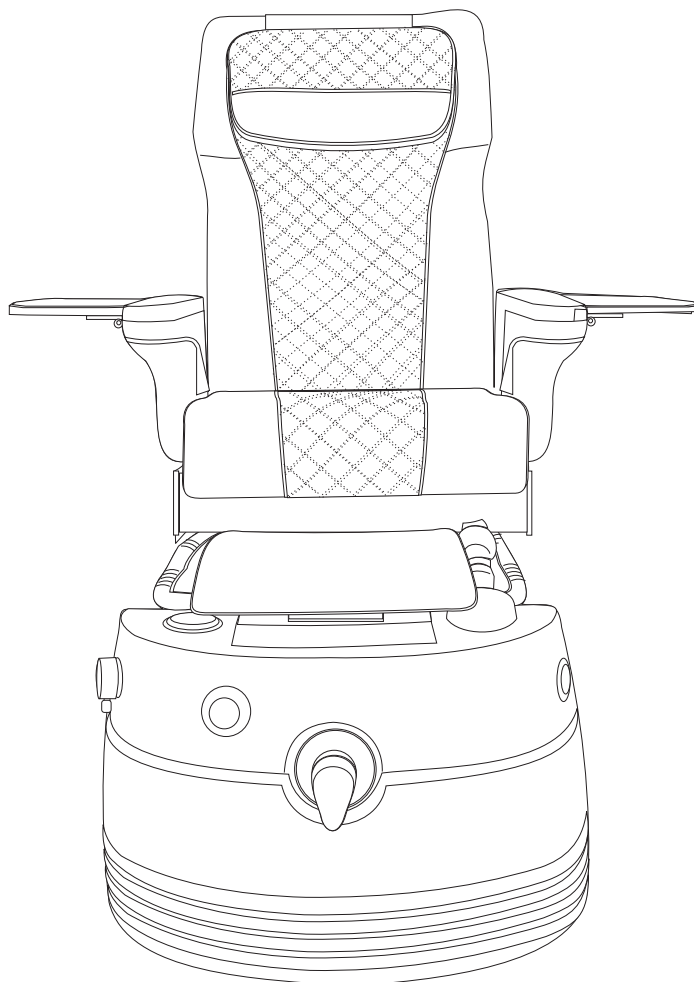
Due to the continuous improvement on all our products: Specification, Characteristics, Packing, Colors, Designs are subject to change without notice.

PETRA GX / Type G5

Specification

CAUTION: Pedicure Spa must be installed by a licensed electrician and a licensed plumber, conforming to all local and national electrical codes.

All **J&A** products are equipped with Dual Check Valve Back Flow Protection: TESTED AND CERTIFIED TO MEET NS61 / 372 Complies with ANSI/ASME A112.18.3M, A112.18.1M AND CSA B125.

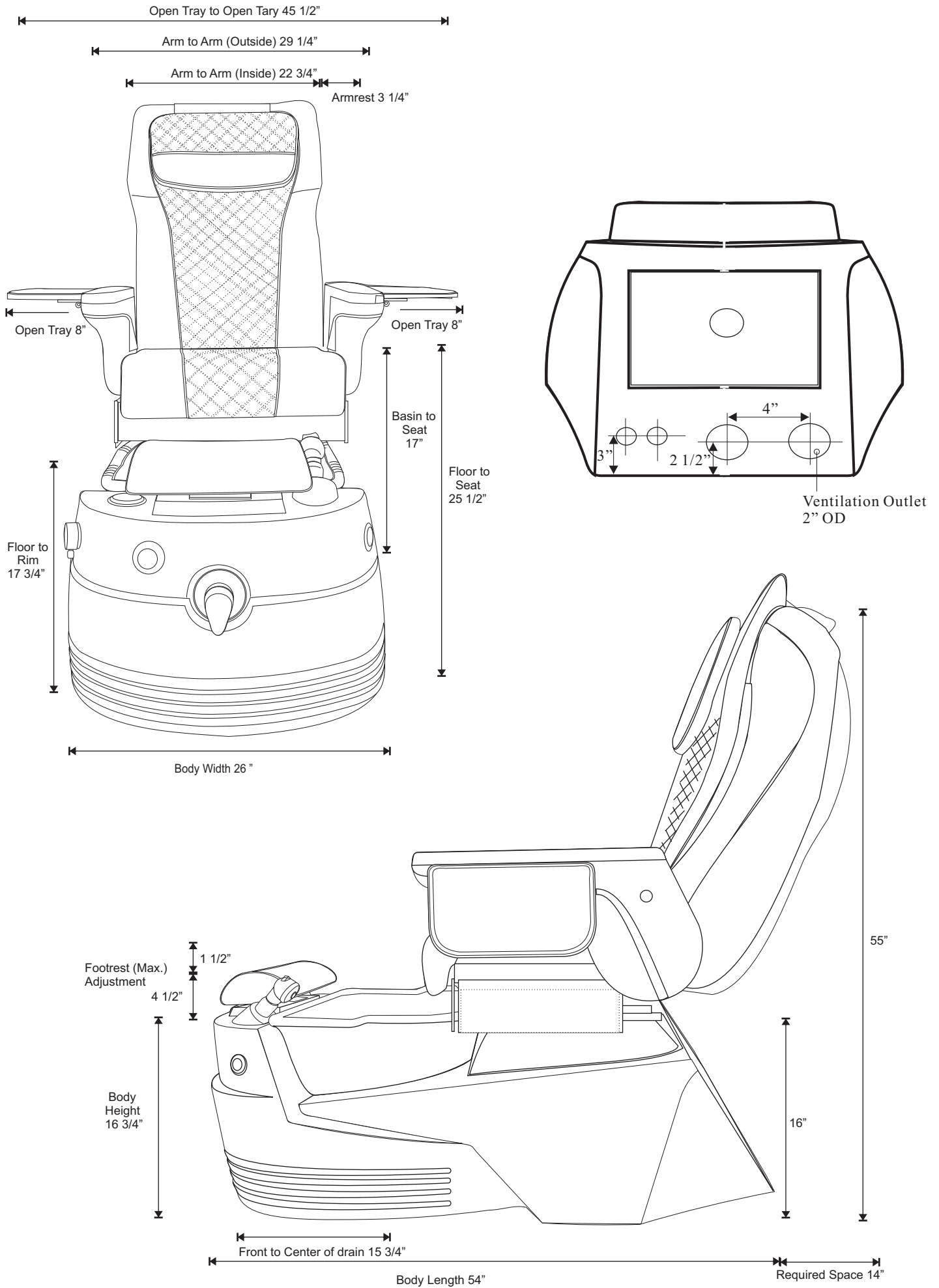


Specification

Dimension & Weight (Shipping)	Pedicure Spa & Massage Chair	37W x 67L x 40H	275 Lbs.
	Stool	20W x 20.25L x 8.5H	19 Lbs.
Dimension & Weight (Net)	Pedicure Spa & Massage Chair	27 1/2" x 54" x 53"	224 Lbs.
Capacity of Tub	Petra GX / Type G5	4.5 U.S. Gallon	
Switch		On /Off Air Activated Switch	
Power Source	Dedicated 15Amp Wall Outlet Require		
	Pipe-less whirlpool motor	120 VAC, 60 Hz, 0.4 Amp	
	Discharge Pump (Optional)	115 VAC, 60 Hz, 3.2 Amp	
	Massage System	110 - 120 VAC, 60Hz, 60W	
Plumbing Source	Hot Water	0.5 Inches (Fitting Provided)	
	Cold Water	0.5 Inches (Fitting Provided)	
	Drain	1.5 Inches (See Plumbing Instruction)	
Warranty	Pedicure Spa	One Year	
	Optional Item	120 Days	

PETRA GX / Type G5

Dimension



PETRA GX / Type G5

Drain Connection

Dual Check Valve Back Flow Protection Device

Pedicure spa is/are equipped with the subject device as standard feature, sold to following state

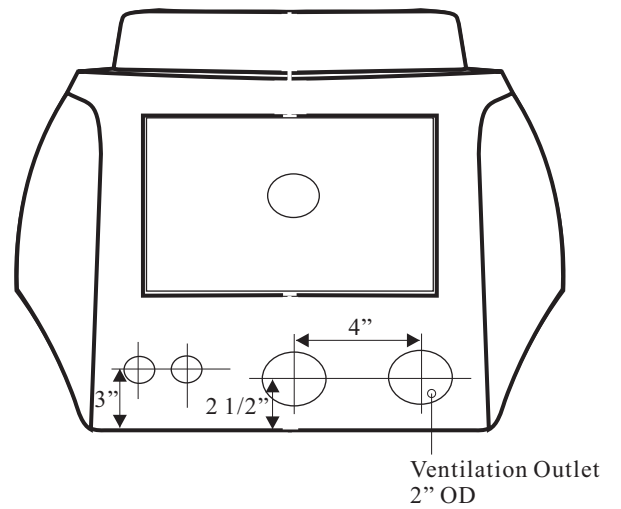
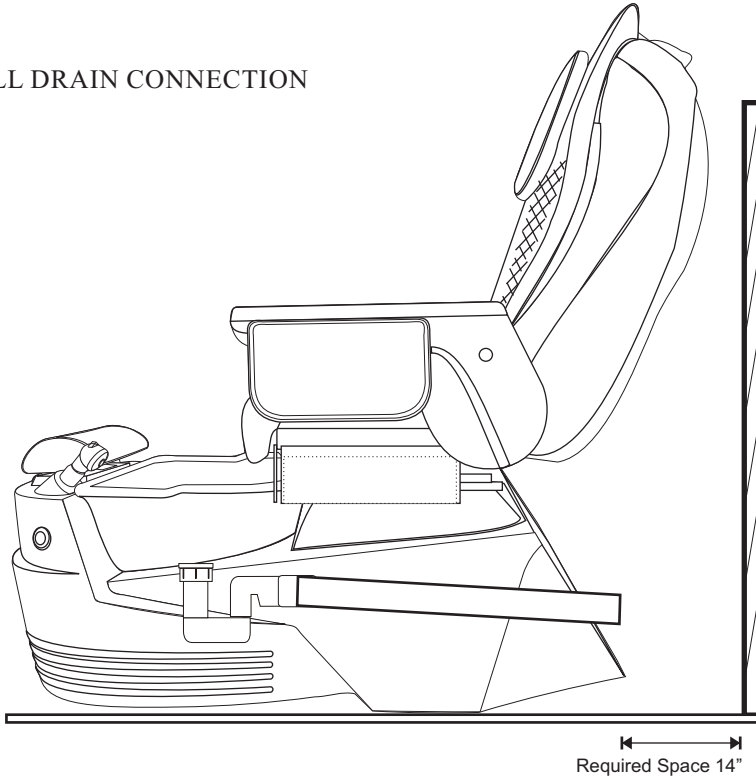
Effective April 01 2005: AZ, CA, NE, NV, OR, TX and WA

Effective June 15 2005: IL, MN, WI and MI

Effective May 01 2007: CT

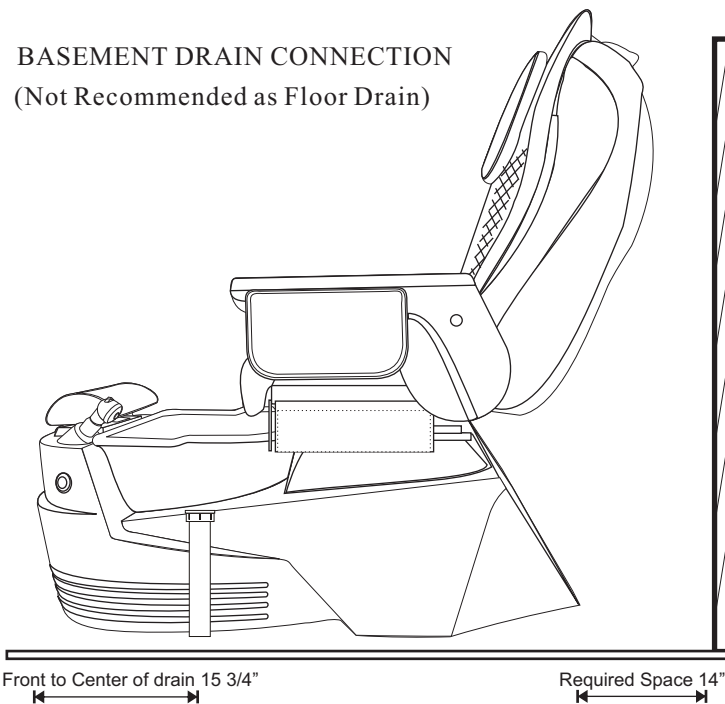
All J&A Products are Equipped with Backflow Protection (Dual Check Valves) as Standard as indicated in the manual.

WALL DRAIN CONNECTION

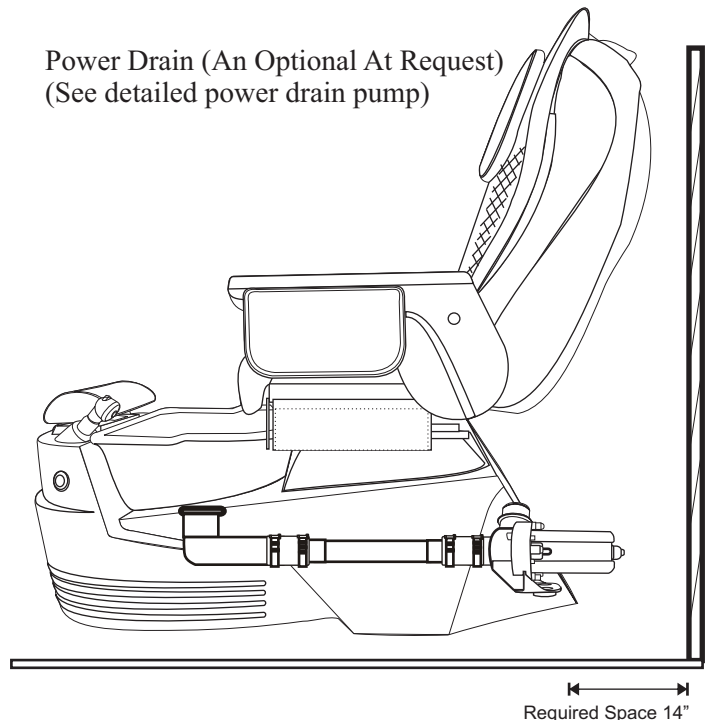


Hot and Cold Inlet : 1/2"
 Drain Outlet : 1 1/2" PVC Pipe

BASEMENT DRAIN CONNECTION (Not Recommended as Floor Drain)



Power Drain (An Optional At Request) (See detailed power drain pump)



Front to Center of drain 15 3/4"

Required Space 14"

Required Space 14"

Installation Specifications Summary

Warning: Failure to comply with federal, state or local codes and ordinances will result in warranty being null and void.

As stated, the pedicure spa installation must comply with all plumbing and electrical codes. A licensed plumber and licensed electrician must complete the applicable connections of the pedicure spa.

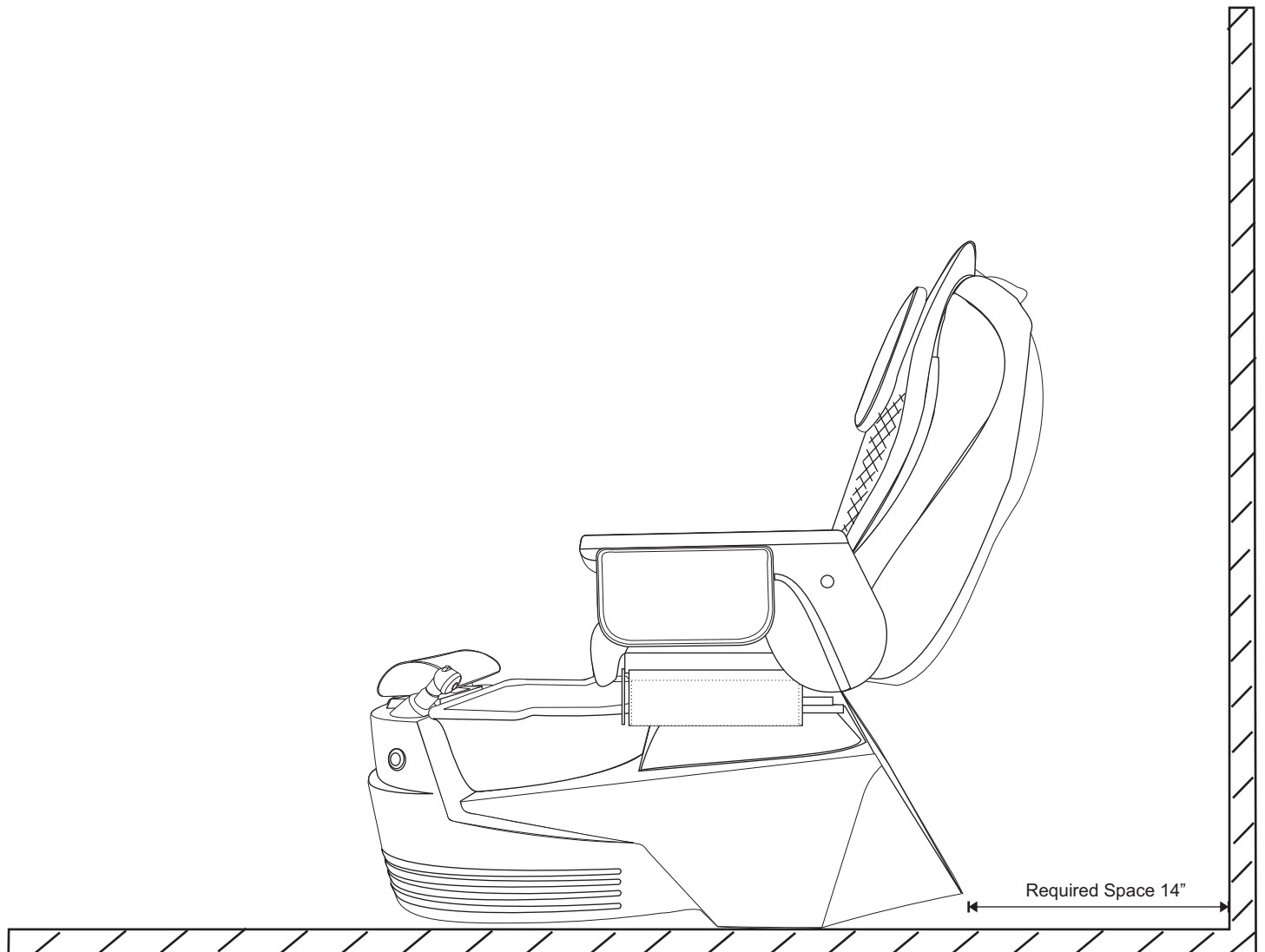
Location and support

Select a level location. The floor structure beneath the pedicure spa must be capable of supporting the occupied pedicure spa.

For the seat back to fully recline, the pedicure spa base must be mounted as follow from the wall as shown below:

*** Space Requirement when fully reclined and slide back : Rear of the Base must be away 15 Inch from the wall

Above measurement are based on fully reclined and slide postion



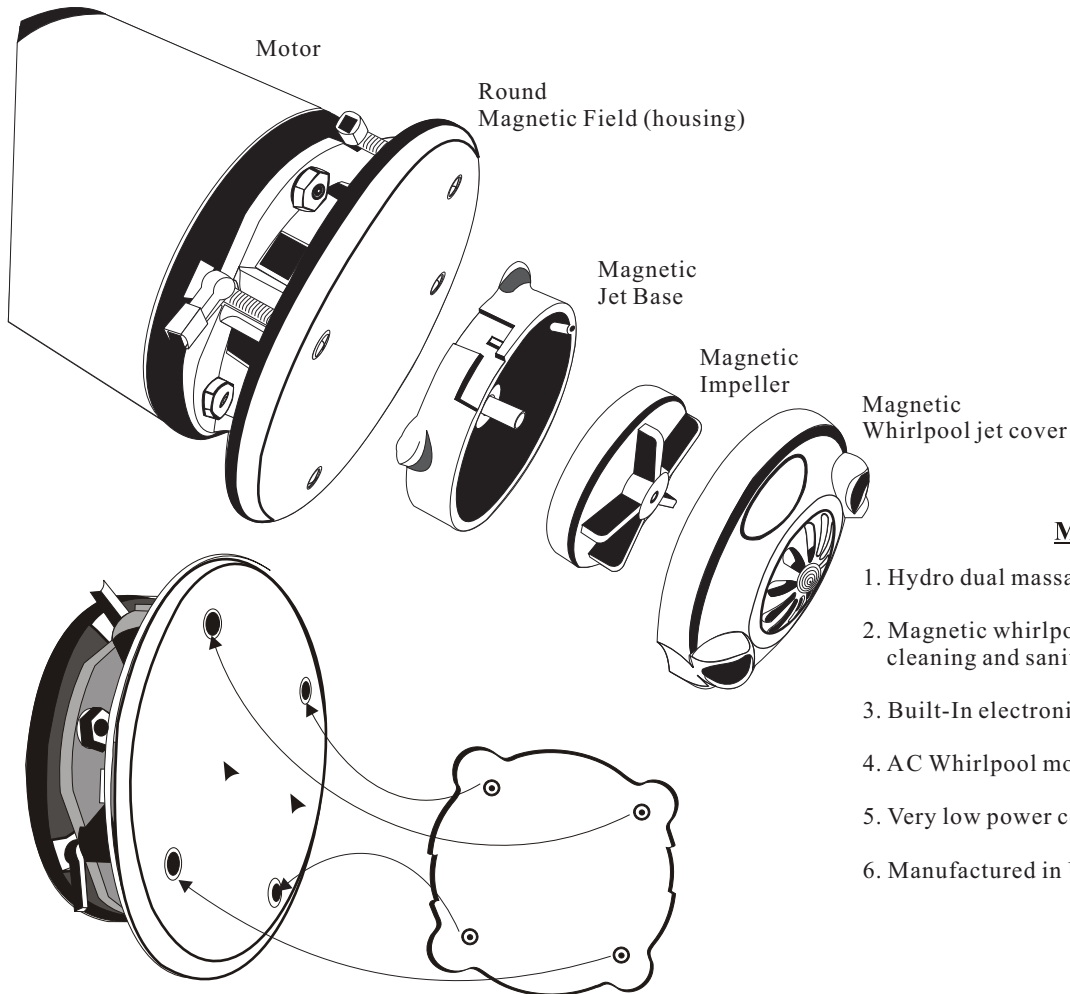
Due to continuous improvements on all our products, specification, characteristics, packing, color, designs are subject to change without notice.

MAGNA-JET (OPTIONAL)

Safety Instructions

When using electrical equipment, Basic safety precautions must be followed to reduce the risk of fire, electrical shock, and injury to Persons.

1. Read and follow all instructions before using the equipment.
2. Keep electrical cord out of heavy traffic area. To avoid fire hazard NEVER place electrical cord under the rug, near heat Generating devices.
3. Always turn power off the equipment before service.
4. Do not drop or insert any object into any openings.
5. Do not operate any equipment with damaged parts.
6. Any other use not recommended by the manufacturer may cause electrical shock or cause injury to person/s.
7. Never use it outdoors
8. Do not attempt to repair or adjust any electrical or mechanical.



MAGNA-JET Features

1. Hydro dual massage jet stream
2. Magnetic whirlpool jet cover can be remove for quick cleaning and sanitizing.
3. Built-In electronic sensor for pump control.
4. AC Whirlpool motor (long life)
5. Very low power consumption (27W)
6. Manufactured in USA.

Cleaning Instruction

1. Turn off the unit and wait until the motor is fully stops.
2. Hold Hydro whirlpool jet cover firmly and pull to separate from the round magnetic field.
3. Turn hydro whirlpool jet cover to left to open and pull out impeller.
4. Use Anti - Bacterial solution (EPA Registered) to clean all parts.
5. After sanitize all parts, place impeller and close hydro whirlpool jet cover to turn right to lock
6. Hold firmly the whirlpool cover jet and gently place it onto the round magnetic field. Do not release the hydro whirlpool jet cover until Jet cover is on the round magnetic housing.

MAGNA-JET Specifications

Model: MAGNA-JET - 120VAC, 60Hz, 1.0Amp,

Pump: Hydro-Massage Dual jet Flow

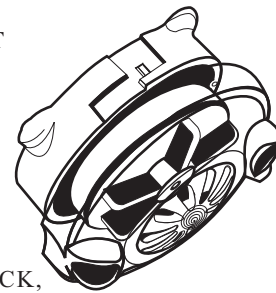
Mounting: Single 3.5" hole Diameter
Auto tighten Mounting screws(4)

How to USE Magnetic jet !

WARNING: DO NOT RUN DRY, BASIN MUST FILLED WITH WATER TO LEVEL INDICATOR.

CAUTION: MAGNETIC JET COVER ASSEMBLY MUST ALIGN WITH DISCHARGE PORT POSITIONED AT 3/9 O'CLOCK.

WHEN READY TO USE, **MAKE SURE** JET COVER IS POSITIONED AT **3/9 OCLOCK** FOR PROPER WHIRLPOOL ACTION IN THE BASIN. IF JET COVER IS **NOT** ALIGN AT 3/9 O'CLOCK, WATER WILL SPLASH OUTSIDE OF THE BASIN.



PROPER WAY TO USE MAGNETIC JET SYSTEM

1- FILL THE WATER TO WATER LEVEL INDICATOR.

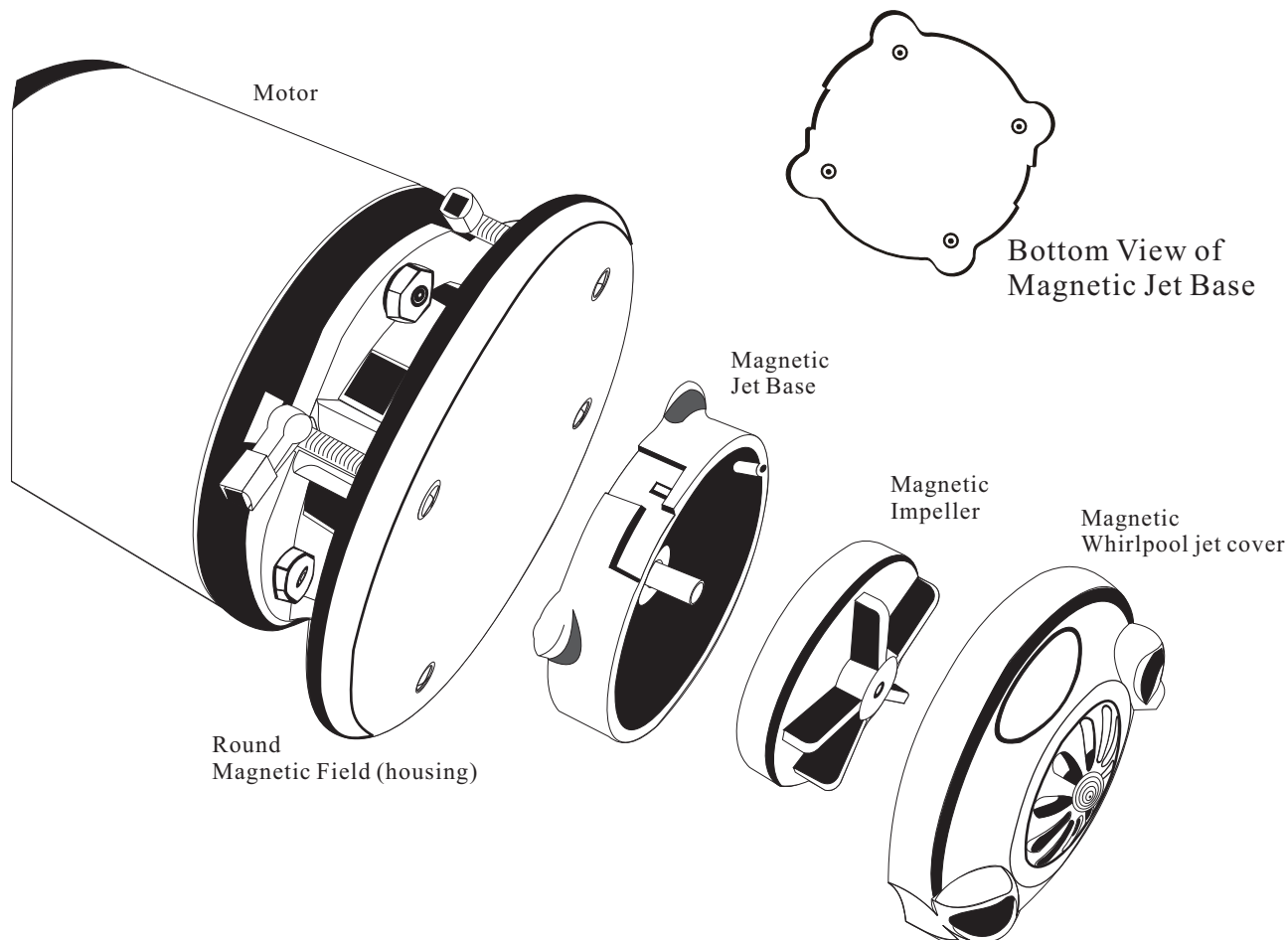
2- HOLD MAGNETIC JET FIRMLY TO BRING CLOSER TO THE ROUND MAGNETIC FIELD AND DO NOT RELEASE

THE MAGNETIC JET PREMATURELY OR THIS WILL CAUSE IMPACTS ON THE JET COVER AND THE ROUND

MAGNETIC FIELD(HOUSING) SHORTENING THE LIFE EXPECTANCY OF THE JET COVER. WHEN THE JET COVER NEARS THE ROUND MAGNETIC FIELD, PLACE JET COVER ONTO THE FOUR DIMPLE AREA (SEE

DIAGRAM). THE JET COVER MUST ALIGN WITH DISCHARGE PORTS POSITIONED AT 3/9 O'CLOCK.

3- WHEN FINISHED WITH CLIENT, DO NOT REMOVE MAGNETIC JET UNTIL MOTOR IS FULLY STOPPED.

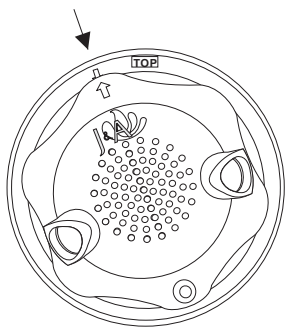


Infiniti Pipelss Whirlpool Motor

Safety Instructions

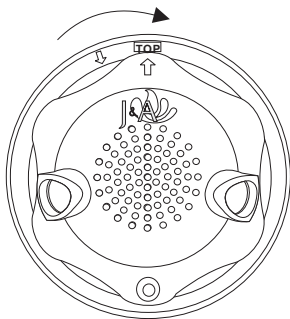
When using electrical equipment, basic safety precautions should always be followed to reduce the risk of fire, electrical shock, and injury to persons, including the following:

1. Read and follow all instructions before using the equipment.
2. Keep the cord out of heavy traffic area. To avoid fire hazard NEVER put the cord under the rugs, near heat generating devices.
3. Always turn off the equipment before servicing.
4. Do not drop or insert any object into any openings.
5. Do not operate any equipment with a damaged parts.
6. Any other use not recommended by the manufacturer may electrical shock or injury to persons.
7. Never use outdoors
8. Do not attempt to repair or adjust any electrical or mechanical functions on the unit.



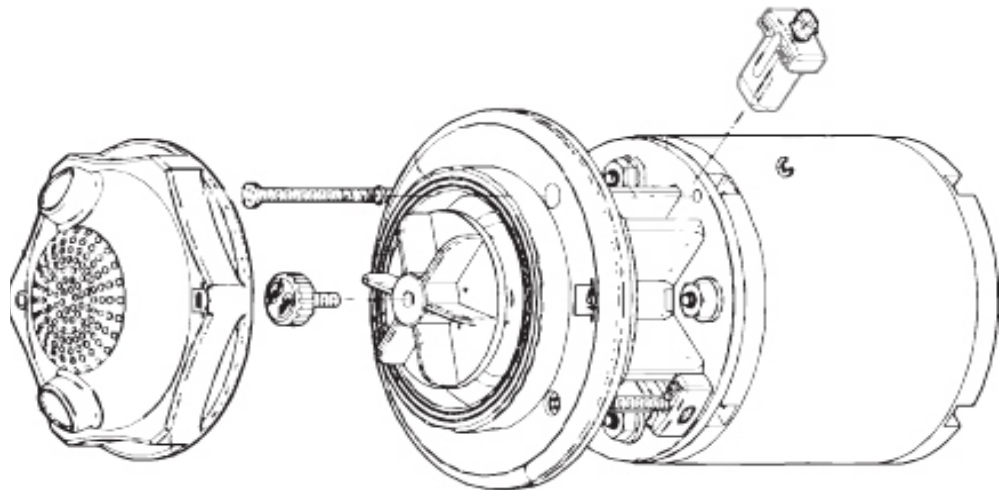
Close Jet Cover

1. Align an arrow line
2. Turn to right (Top indicated)



Cleaning Instruction

1. Turn the unit off and wait until the motor is fully stops.
2. Remove the front jet cover and notice the locking screw in the center
3. Remove the locking center screw (Indicated an Arrow) and pull out impeller from housing.
4. Use Anti-Bacterial solution (EPA Registered) to clean all part/s.
5. After sanitization, place impeller onto the motor shaft and fasten with center locking screw (Opposite arrow)



Infiniti Pipeless Jet whirlpool motor

1. Dual powerful massage jet-streams
2. Jet assembly can be attached from the pump for quick cleaning and sanitizing.
3. Thermally Protected
4. AC motor (long life)
5. Extremely low power consumption .

Infiniti Pipeless jet Whirlpool Motor Specifications

Model: CS-0216A-MT

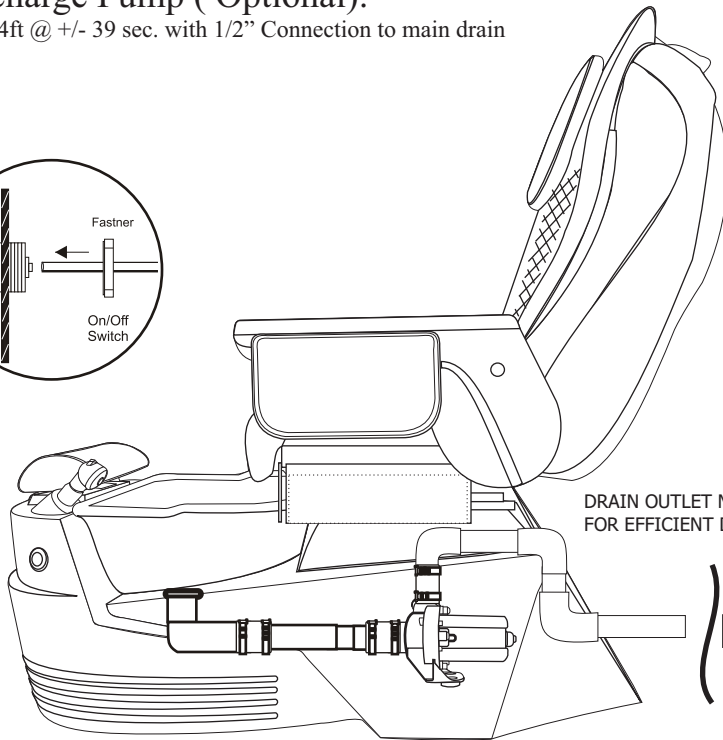
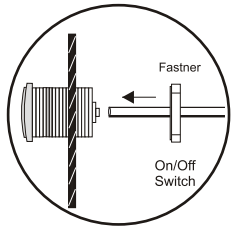
Rating: 120VAC / 60Hz, 0.4A - thermally Protected

Pump: Dual whirlpool Jet Flow

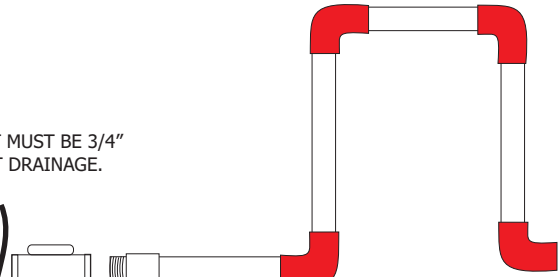
Mounting: Single 3.5" hole Diameter
Auto tighten Mounting screws(4)

PETRA GX / Type G5 Discharge Pump (Optional):

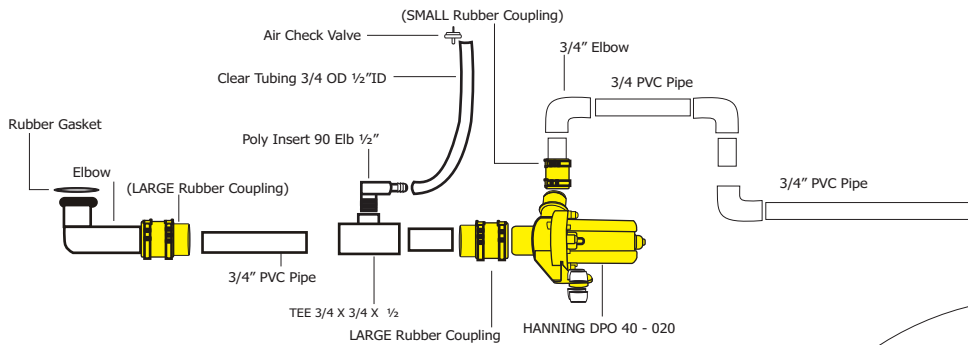
Up to 4ft @ +/- 39 sec. with 1/2" Connection to main drain



DRAIN OUTLET MUST BE 3/4" FOR EFFICIENT DRAINAGE.



3/4" Brass
Swing Check Valve
PLUMBER MUST BE UTILIZED TO INSTALL
CHECK VALVE



Installation Instruction

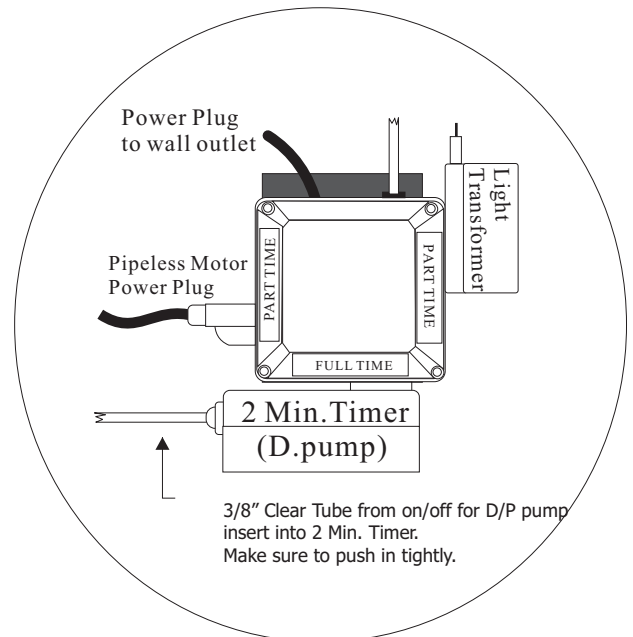
1. Make a hole (size 1-3/8") for the On/Off switch as shown (see fig 1). Pre drill required.
2. Placed a 1/8" clear hose into the rear of the switch and on/off switch into hole.
3. The discharge pump kit is made to fit onto the pedicure unit. (see fig 2)
4. Connect E-Z connector onto the drain elbow.
5. Plug discharge pump outlet into the two minute timer outlet
6. Plug two minute timer into the wall outlet.
7. It is very important that tip of the clear tub remain above the water Level one loop as shown.

**** Please cut to fit Flex hose to your size****

Operation Instruction

Please! DO NOT run dry

1. Turn to open drain plug.
2. Press On/Off switch to activate timer.
3. At any time, water drain completely from the basin. Press On/Off switch to stop or built in two minute timer



Electrical Control Box
(Located left bottom
inside of base)

3/8" clear Tube
from On/Off Switch
for Part time control box

PETRA GX / Type G5

Remote Control Operation



1. Controller operate

Button	Adjust massage balls
	To start or stop massage of the upper body
	The massage device mainly automatically covers your neck or shoulder
	The massage device works with various techniques at different body zone of your upper body.
	The massage device mainly automatically covers your back and waist

(1)Upper body manual massage

Technique	Button	Adjust massage balls	Display status
Manual Massage Mode		Knead:Speed	See the buttons light
		Flap:Speed, Width	See the buttons light
		Knead & flap:Speed	See the buttons light
		Press :Speed, Width	See the buttons light
		Knock:Speed, Width	See the buttons light
Backrest stretch		Upper body(overall) trip massage	
		Small area(partial) trip massage	
		Fixed position (fixed) massage	
		When fixed massage has been chosen,press this button to move the massage device upward to suit precise massage points,not available under auto state.	
		When fixed massage has been chosen,press this button to move the massage device downward to suit precise massage points,not available under auto state.	

(2) Other manual function

Button	Description
	For speed and massage treatments selection. five intensity options available. the indicators are as follows(black stands for on)
	Width:when massage treatment of flapping, shiatsu,or knocking has been chosen,press this button to adjust the width of the massage hands,three options,not available under auto kneadingstate.
	With 3 grades massage time adjustable : 10、 20、 30min. Default time: 20 minutes

(3) Adjust angle of backrest andfootrest

Button	Function	Display status
Seat		Press this button continually and the seat frame will move forward,loose your finger and the movement will stop.
		Press this button continually and the seat frame will move backward,loose your finger and the movement will stop.
Back		Press this button continually and the backrest frame will move downward,loose your finger and the movement will stop.
		Press this button continually and the backrest frame willmove upward,loose your finger and the movement will stop.

PETRA GX / Type G5

Armrest

Pressure Plate clamp

Back Massage Frame

Armrest Locking Bolt

Armrest Pivot

Seat Frame

Armrest Disassemble

Remove Bolt
(M10*12) Hex Head Bolt

Remove self-tapping locking screw
(M4*10 cross) front / back

Remove M6*30 Hex Head Screw

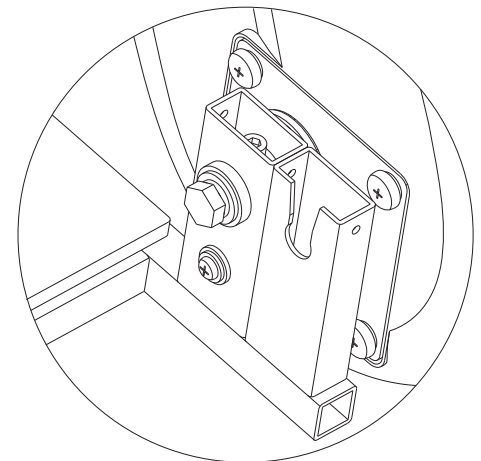
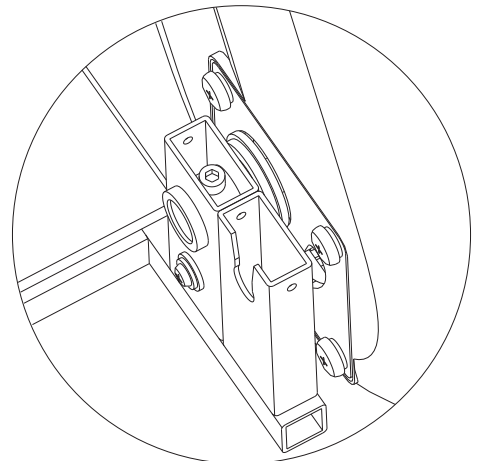
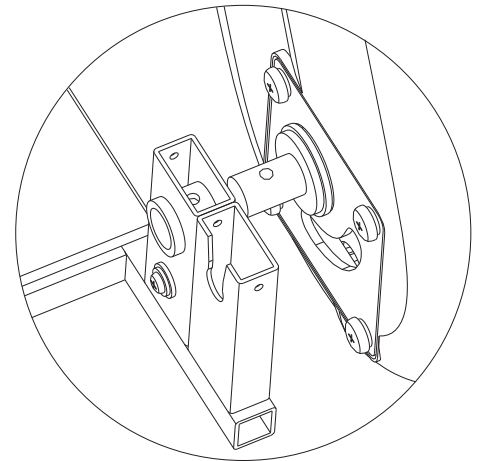
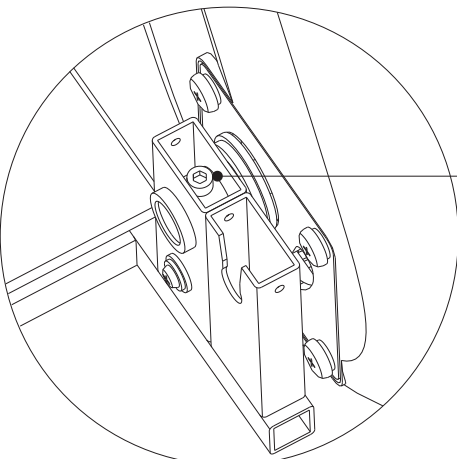
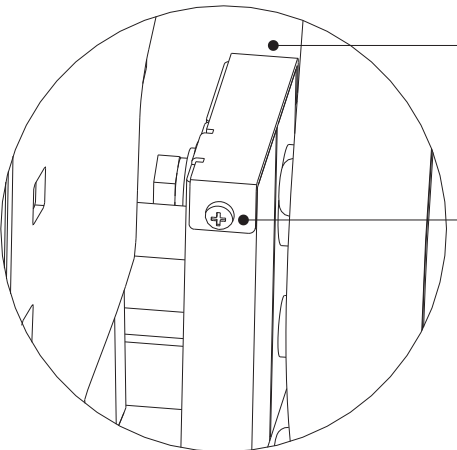
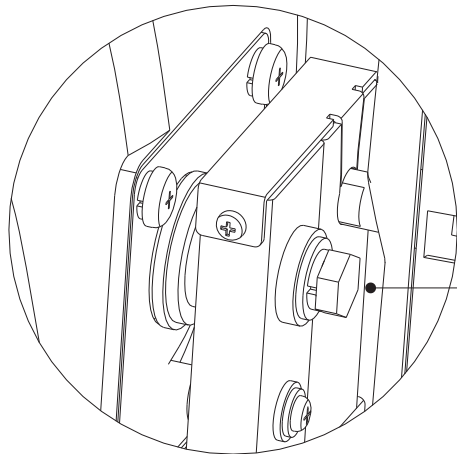
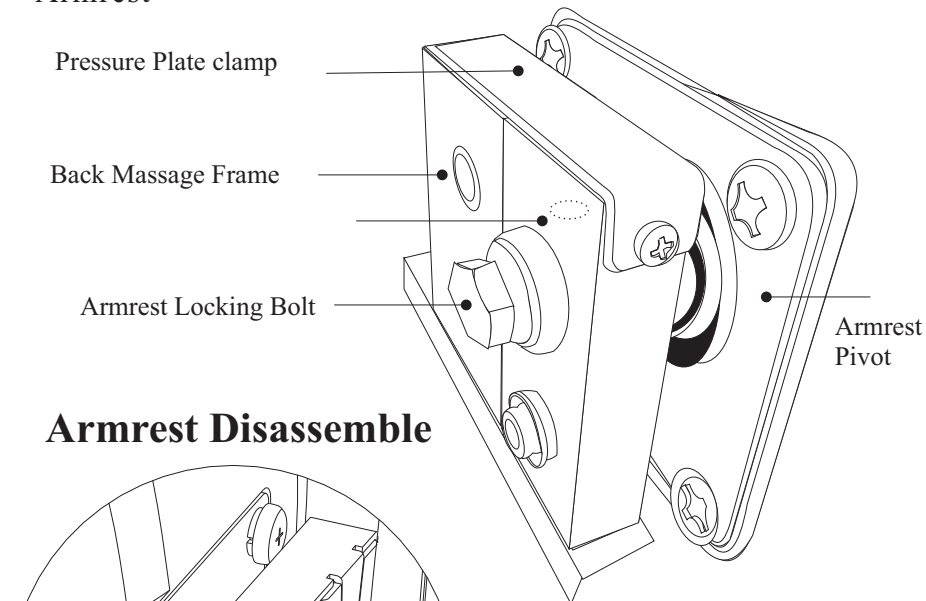
Gently Pull Armrest From Frame

Armrest Assemble

Align the rotating shaft to upper sleeve of frame and pass through for sleeve hole & shaft hole

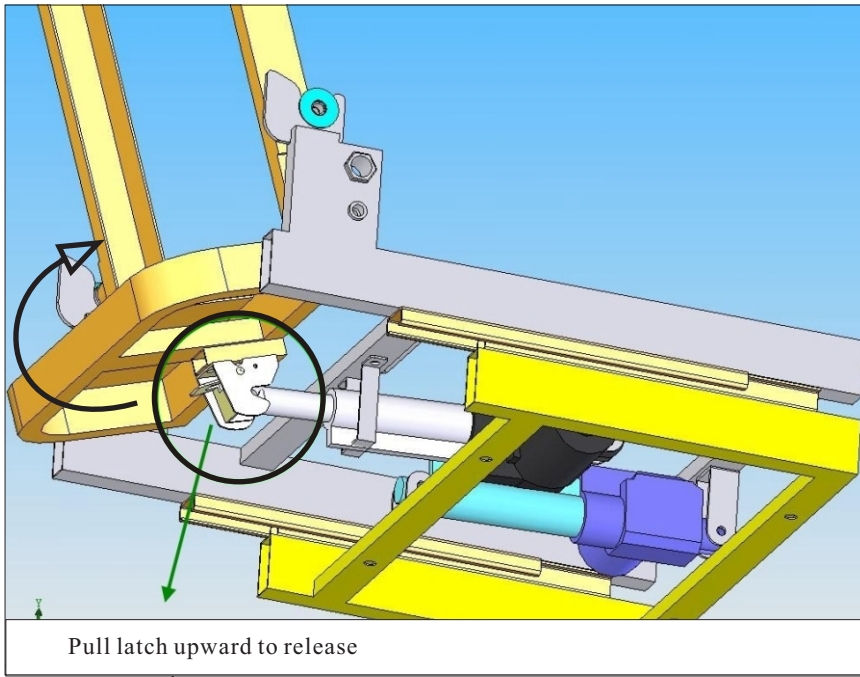
Hex cylinder Head (M6*30) screws to penetrate into the hole position of the bracket sleeve and lock tightly

Fasten the rotating shaft with (M10*12) Hex Head Bolt (2x elastic washer, 2 x flat washer)



PETRA GX / Type G5

Placing Backrest in Correct position

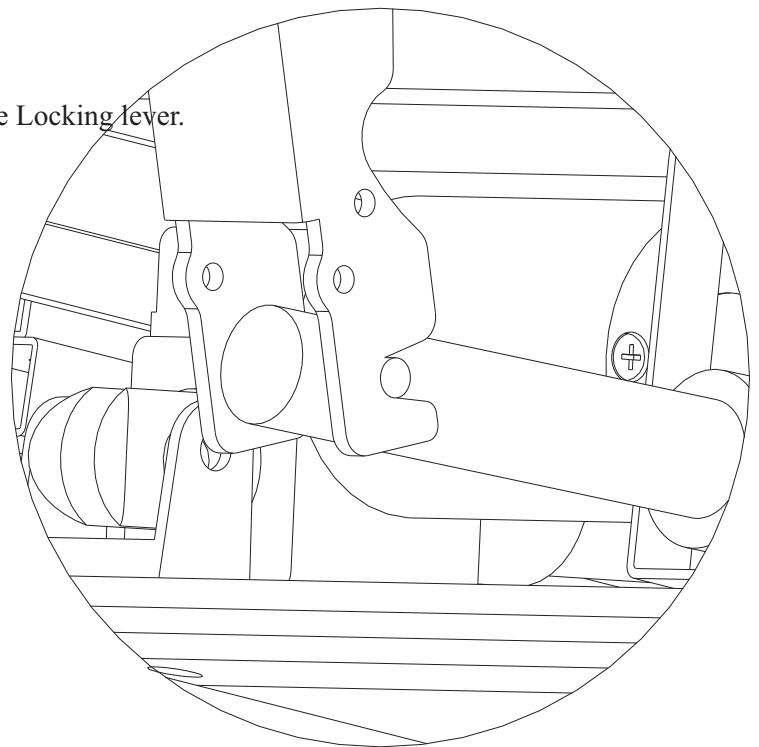


Detachment of Backrest

- * Pull latch lever upward to release from recliner piston.
- * As Arrow indicates, bring backrest to fold onto the seat.
- * Disconnect all cables (recliner, slider)

Recliner Bracket

1. Lift Backrest to Upright Position
2. Pull Up bracket lever
2. Align Recline Piston to Bracket Locking Hook mechanism
3. Securely insert Reclining Piston into the bracket and release Locking lever.



Backrest to UP.
Right Position

Lever Up Position
(Release Recline Piston)

Reclining Bracket
Locking lever

Recline Piston Assembled rod into the Bracket Hook.

Operation - Caution

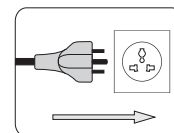
Important safety WARNING (Please read Chair Manual thoroughly)

1. User's maximum weight is 264lbs; weight excess may cause damage to massage machine or permanent damage to other parts.
2. Please don't crush or drop the control set. Don't pull control cable or electric wire. Be careful not to clamp the cable between armrest and back of the chair.
3. Please don't touch cloth material of the chair with sharp object, and be careful not to drop cigarette, ash or lighters on the chair. Chair exposure in the direct sunlight may fade the cloth material.
4. If there is abnormal function in the chair, please shut off power and contact an authorized dealer and / or J&A service.
5. Don't repeat pressing any keys in very short time in case of any abnormal functions.
6. The nature of movement noise if the motor sounds while in usage.
7. If remote can't work normally, Check power plug & outlet if connected strongly and make sure the chair switch is turned on.
8. Use Massage Chair intermittently - Do not use continuously
9. The thermal protector will activate automatically shut down power if massage use continuously. Allow 30 minutes to cool down to reset thermal protector and use.
10. Make sure there are no obstacles behind the chair before adjusting the chair's position. The maximum adjust range is 0-5.25". Please lower the chair slowly and gradually to avoid touching the wall or other object that can make the chair function improperly.
11. Each time when finish the massage, please turn off the power and unplug the chair.

Massage Chair Operation Sequence

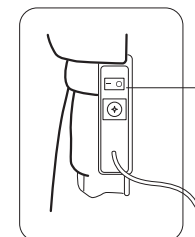
SWITCH ON POWER

- (1) insert the plug into the socket outlet.
- (2) switch on the power button behind the armrest.



MASSAGE

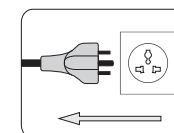
- (1) Select relative massage according to the operation instructions of the control.



POWER

SWITCH OFF POWER

- (1). stop overall massage.
- (2). switch off the power button behind the armrest.
- (3). pull the plug out of the socket outlet.



Grounding Instruction

- To reduce the risk of electric shock, proper grounding is required for the chair.
- The chair power plug **MUST** be connected to GFCI (Protected Ground Circuit) outlet. Please refer to grounding instructions. And the power plug should be accessible after installation.
- If you have any questions regards to the chair Please consult with licensed electrician and /or J&A Service for specification or requirement of chair. Do not modified or altered without an authorized distributor or J&A USA. All expressed or implied warranties will be null and void.
- Please don't use a plug adapter (Multi Outlet).

Cleaning and maintenance

Synthetic leather - Upholstery

- Clean the leather with a piece of soft dry cloth.
- If the leather becomes dirty, please mix water with neutral 3%-5% detergent and dip the cloth into the water for cleaning the leather surface. Then wash the cloth to remove detergent and scrub the leather with a piece of dry cloth. Let it dry naturally (don't dry the wet leather with an electric dryer.)
- If leather has been contacting ethylene resin for a long time it might fade.

Cloth cover

1. Use a piece of cloth with medium detergent liquid to clean cloth cover.
2. Use a soft brush dipped with medium detergent to brush dirty cloth material. be sure not to use too much, it might cause damage to the cloth.
3. Dip a piece of soft cloth into clean water. Use it to wash the item and let it dry naturally.

Cleaning of plastics parts

1. Dip the cloth into medium detergent liquid.
 2. Use a piece of cloth with clean water to scrub this item and dry it naturally.
- For cleaning of the remote control, please use a slightly damp cloth to scrub the surface.
 - Don't use any solvents to clean as they may cause discoloration.

Caution:

- Be sure to unplug the chair when cleaning this item.
- After cleaning this item, make sure to dry hands before plugging the power again. Otherwise, it may cause electric shock or burn.

DISINFECTING YOUR PEDICURE SPA

Note: Please be advised that it is responsibility of purchaser/user to adhere strictly to the following procedure. Any non-compliance will be considered negligence of the purchaser/user.

The Bureau of barbering and cosmetology requires that salons using whirlpool pedicure spas use the following disinfecting Procedures to ensure proper cleaning and maintenance of the equipment, and to prevent bacterial infection.

After each customer:

1. Drain all water and remove all debris from the pedicure spa.
2. Clean the surfaces and walls of the basin with soap or detergent and rinse with clean, clear water.
3. Disinfect with an EPA - registered disinfectant with bactericidal, fungicidal, and virucidal activity.
4. Wipe dry with clean towel.

At the end of the day:

1. Remove the intake suction screen, All debris trapped behind the screen of each pedicure spa must be removed. And the screen and the inlet shall be washed with soap or detergent and water
2. Before replacing the screen, Totally immersed the screen into an EPA- registered disinfectant with bactericidal, Fungicidal, and virucidal activity.
3. Finally, flush the whirlpool system with low-suding detergent and warm OR an EPA - registered cleanser for 10 minutes. Rinse with clean flash water and drain.

Every other week

1. After following the outlined required cleaning procedures for the end of each day, fill the basin with warm water And 1 teaspoon of 5.25% powdered bleach for each one gallon of water.
2. Circulate the solution through the whirlpool system for 5 to 10 minutes.
3. The solution rests for over night (at least 6-10 hours)
4. The following morning (before the first customer) drain and flush the system with water.

Troubleshooting Guide

If there is still a problem after trying the solutions given in the troubleshooting guide, stop using the product immediately so as to prevent accident or injury and unplug the product from the wall outlet. For technical service, please contact J&A technical support at 631-243-5300 with any issue that cannot be resolved using troubleshooting guide.

<p>No water movement</p> <p>On/Off button - No click sound</p> <p>On/Off button - Click sound</p>	<ol style="list-style-type: none">1- Verify unit is plugged in to live wall outlet.2- Press reset button on the wall outlet.3- Verify air activated tube is plugged in to black control box.4- Ensure that the magnetic jet assembly is properly and securely attached to the basin.
<p>Water not Draining</p> <p>Not Draining properly</p> <p>Not Draining properly with PDP (Power Discharge Pump)</p>	<ol style="list-style-type: none">1- Be sure Drain plug is set high enough to allow water to pass through (Gravity Drain)2- Check for plugged drain and clear if clog is found.3- If pump is heard, Check for plugged drain and clear if clog is found.4- If pump is heard, Check for air lock (see PDP in manual) follow instruction.5- If pump is not heard, verify discharge pump is properly connected to two minute timer And to black control box.6- If pump is not heard, verify two minute timer
<p>Water Pressure is low and/ or not coming out.</p> <p>The water sprayer is not working or very little water comes out of the sprayer.</p>	<ol style="list-style-type: none">1- Verify if water utility valve is on.2- Check for loose water connections under the basin and at the rear of the basin3- Check if sprayer screen is clear.4- Verify if water supply braided hoses are snug and not twisted on the faucet.5- Verify if clogged in Hot and / or Cold water braided hose
<p>Losing water</p> <p>The basin continually loses water either quickly or slowly</p>	<ol style="list-style-type: none">1- Check drain plug for tears in rubber gasket2- Check drain plug height is correct and bolt below plug is tight.3- Verify drain strainer is tight.4- Verify if water level is correct.

Trouble shooting Guide

<p>This Chair can't be operated at all.</p>	<ul style="list-style-type: none"> ● Electric wire has been taken off. ● Power key is still on OFF mode. ● Massage roller is on the way of storage .It will work after the roller comes to the storage position. ● Electric wire or plug is broken. It should be replaced by manufacturer, appointed repairman, or qualified technicians. ● Fuse is broken. Please replace it with a new one of same specification. ● For internal circuit troubles, please send it to appointed repair place for check.
<p>Massage roller stops working while in operation;control indicator keeps flashing;buzzer gives out continuousalarm.</p> <ul style="list-style-type: none"> ● Kneading indicator flashes: Relative operating mechanism of kneading has problem. ● Tapping indicator flashes: Relative operating mechanism of tapping has problem. ● The entire course indicator flashes: Relative operating mechanism of up/down has problem. 	<ul style="list-style-type: none"> ● Over pressure and overload on the massage roller make internal circuit start to protect itself, please reduce load and shut off the power to restart the item in 10 seconds. ● Internal massage mechanism is damaged. circuit may start its self-protection. Please askappointed department to check. ● Broken cloth wraps or prevents massage roller from moving, so the protection circuit starts its protection function. Please ask appointed department to check.
<p>Too much noise</p>	<p>Long term use may cause mechanism abrasion. it's normal.Please ask the appinted department to check.</p>
<p>Control mechanism becomes too hot</p>	<p>Extended use of control may generate excessive heat.If overheating occurs please send the unit to an authorized service center</p>
<p>Electric wire or plug is abnormally hot</p>	<p>Immediately stop use and send it to the authorized repair facility.</p>



Back Flow Protection Device (Dual Check Valve)

May.1.2014

In accordance with applicable Local or State regulations,
J&A USA Inc., The manufacturer of the pedicure whirlpool spa certifies that the following models are
equipped with factory installed Dual Check Valve back flow preventer:

- ** Lenox Series
- ** Cleo Series
- ** Episode Series
- ** Pacific Series
- ** Petra Series
- ** Toepia Series

The specification of the installed device is as follows:

DEVICE NAME	DUAL CHECK VALVE BACKFLOW PROTECTION
DEVICE MANUFACTURER	NEOPERL INC. Waterbury CT.
DEVICE MODEL	JA-NPBX-112310721
DEVICE SPECIFICATION	COMPLIANCE WITH FOLLOWING STANDARD (S): AMSE A112.18.3-2002 (R2008) AND ASME A112.18.1-2012 / CSA B 125.1-12
DEVICE PRESSURE	MAXIMUM PRESSURE: 150 PSI (10 BAR) SERVICE PRESSURE : 80 PSI
DEVICE TEMPERATURE	MAXIMUM TEMPERATURE : 150F SERVICE TEMPERATURE : 90F

ALL MODELS OF PEDICURE SPA MENTIONED ABOVE ARE EQUIPPED WITH THE SUBJECT
DEVICE AS STANDARD FEATURE. As for your information, indicated State requires Vacuum Breaker.

** Effective April 01 2005:

ARIZONA, CALIFORNIA, NEBRASKA, NEVADA, OREGON,
TEXAS AND WASHINGTON

** Effective June 15 2005:

ILLINOIS, MINNESOTA, WISCONSIN, MICHIGAN

** Effective May 01 2007:

CONNECTICUT

For additional information, Please contact us at 631-243-5300

Very Truly yours,

Technical Support

J&A USA Inc.

335 Crooked Hill Road
Brentwood, NY 11717
Tel: 631.243.3336
Fax: 631.243.3339

www.jausainc.com

Limited Warranty Pedicure Spa

IMPORTANT

To validate the limited warranty, The Limited Warranty Registration Form **MUST** be filled out completely and return to J&A USA within 30 days of original purchased date. This Limited Warranty is valid if J&A USA received registration form.

J&A USA Inc. Pedicure Spas has designed and manufactured with the highest standards and expressly warrant the pedicure spa as follows: To the original owner of the J&A USA Inc. Pedicure Spa may repair or replace, at its option, any pedicure spa found to be defective in material or workmanship upon inspection by a authorized representative of J&A USA Inc. This limited warranty covers the following:

Base - Twenty four (24) month from date of shipment from J&A USA facility.

Components / Parts - Twenty four (24) month from date of shipment from J&A USA facility.

Stool - Ninety (90) days from date of shipment from J&A USA facility.

Shipping Costs - Twelve (1st-12) month from date of shipment. J&A USA will cover normal shipping costs associated with replacement parts. Expedited shipping cost will incur an additional charge.

- Twelve (2nd-12) month from date of shipment associated with replacement part/s shipping will be charged

Labor - Twelve (12) month from date of shipping, J&A USA Inc will cover reasonable labor costs associated with the installation of replacement parts found to be defective in material or workmanship upon inspection by authorized representative of J&A USA INC.

No labor cost or replacement parts will be covered under this limited warranty if at the sole discretion of J&A USA INC. it is determined a failure was caused by negligence, accident or improper use, improper installation or lack of proper maintenance as in the Owner's Manual.

NO CONSEQUENTIAL, INCIDENTAL, CONTINGENT, INDIRECT, SPECIAL OR OTHER DAMAGES WILL BE ALLOWED. This warranty is null and void if the pedicure spa is removed from its original installation or is not installed accordance with specifications of pedicure spa or national, state or local codes, regulation and ordinances. Furthermore, this limited warranty is null and void if the pedicure spa is subjected to improper installation or maintenance, negligence, improper cleaning or any other circumstance beyond J&A's control. To validate limited warranty, pedicure spa must be installed by a licensed plumber and/or electrician in accordance with local and / or State code and pedicure spa installation instructions.

Warranty Exclusion

- 1- Unauthorized repairs and/or modification or tampered in any way.
- 2- Damage due to freight, accident, natural disaster and /or abuse or misuse
- 3- Stain, fading or discoloration of seat, back cover, armrests (Upholsteries), Tray or Footrest
- 4- Fading, discoloration or staining of basin or Any portion of surface of pedicure spa caused by water additive or improper water treatment (such calcium built up) and/or cleaning agents/s
- 5- Damage or malfunction due to improper installation including but not limited to, failure to comply with all national, state and local plumbing, electrical and building codes.
- 6- Magnetic jet assembly (base, impeller and cover)
- 7- Damage drain pump due to residue built up in drain pipe and / or due to the lack of maintenance.

Parts for which labor / Service is NOT COVERED - Following components are simple to replace and DO NOT require a service technician. Therefore, though the part is covered under the guidelines of the warranty agreement.

- 1- Panel
- 2- Jet cover, impeller and / or jet assembly
- 3- Faucet Cartridge, Shower Head
- 4- Footrest
- 5- Air actuate On/Off Button
- 6- Drain Plug
- 7- Remote control
- 8- Basin Bowl

During the Limited Warranty period, J&A will, at its sole discretion, repair or replace any defective component. All component parts removed under this Limited Warranty become property of J&A USA Inc. And all replacement component /s **MUST** be return to J&A USA Inc. within 20 days of replacement. If not, replaced component/s will be charge as its cost/s. This limited warranty is for the original owner and **not** transferable. The original owner agrees by using pedicure spa the obligation of J&A USA shall not extend to indirect or contingent damage or injury. Furthermore, the obligations of J&A are limited to those set forth herein. The limited warranty is the exclusive remedy and is in lieu of all other warranties, express or limited, including but not limited to, any implied warranty of fitness or merchantability for a particular purpose. No distributor or other person has the right or authority to bind J&A USA INC to changes to this limited warranty. Consequently, J&A USA INC is **not** responsible for such warranties or representations.

Limitation of liability

TO THE EXTENT ALLOWED BY LOCAL LAW, EXCEPT FOR THE OBLIGATIONS SPECIFICALLY SET FORTH IN THIS WARRANTY STATEMENT, IN NO EVENT WILL J&A OR ITS THIRD PARTY SUPPLIERS BE LIABLE FOR ANY DAMAGED CAUSED BY J&A'S PEDICURE SPA OR THE FAILURE OF J&A PEDICURE SPA INCLUDING ANY LOST PROFIT OR SAVINGS, BUSINESS INTERRUPTION, LOSS OF USE OR ANY OTHER COMMERCIAL OR ECONOMIC LOSS OF ANY KIND, OR SPECIAL, INCREMENTAL, OR CONSEQUENTIAL DAMAGES. THIS LIMITATION OF LIABILITY APPLIES WHETHER DAMAGES ARE SOUGHT, OR A CLAIM MADE, UNDER THIS LIMITED WARRANTY OR AS A TORT CLAIM, A CONTRACT CLAIM OR ANY OTHER CLAIM.