



User Manual

CORDLESS LAWN MOWER BBT-ZE33



Scan here to contact us

[24Hrs Online]



[https://snapfresh.afterservice.vip](https://snapfresh afterservice.vip)

+1 833 635 0955 support@snapfreshtools.com

⚠ Read all safety rules and instructions carefully before operating this tool.



CONTENTS

Contents	2
Symbols	3-4
Safety instructions	5-9
Technical specifications.....	10
Assembly	11
Instructions for use	12-17
Tips on lawn care	17
Maintenance	17-19
Environment	19
Warranty	20

SYMBOLS

Symbols Used In This Manual



WARNING!

Denotes impending danger. Non-observance of this warning may result in death or extremely severe injuries.



CAUTION!

Denotes a potentially dangerous situation. Non-observance of this warning may result in injury or damage to property.

NOTE

Denotes application tips and important information.

Symbols On The Power Tool

	General safety warning!
	Before switching on the power tool, read the operating manual!
	Remove the safety key before carrying out any work on the unit and before leaving the unit.
	Keep third parties away from the danger area! Always maintain a safe distance from the garden tool when it is working!
	Ejected objects and rotating parts can cause serious injuries.
	CAUTION! Sharp cutting tool! Keep hands and feet away from the cutter bar!
	Protect the device from rain and do not leave it outdoors in the rain!
	Wear ear protection.
	Class II machine - Double insulation You don't need any earthed plug.
	Keep bystanders, especially children and pets, at a distance greater than 10m.
	Do not throw the battery into fire.
	Do not throw the battery into water.
	Disposal information
	The product is in accordance with the applicable safety standards in the European directives.

CAUTION! The device must not be operated without a protective hood (discharge flap) and a grass catcher.

SAFETY INSTRUCTIONS

WARNING!

Before using the garden tool, read and follow:
these operating instructions,
the user instructions of associated/supplied accessories (charger, battery),
the currently valid site rules and the regulations for the prevention of accidents.

User

This garden tool is not intended for use by persons (including children) with reduced physical, sensory or mental capabilities, or lack of experience and know-ledge, unless they have been given supervision or instruction concerning use of the machine by a person responsible for their safety. Never allow children or people unfamiliar with these instructions to use the garden tool. Supervise children. This will ensure that children do not play with the unit.

Intended use

This garden tool is intended exclusively to mow the lawns in the private sector, according to the descriptions and safety instructions indicated in this operating manual. Any other use is not as intended. Improper use is not covered by the warranty and the manufacturer will reject any liability. The user is liable for all injuries to third parties and damage to their property. Operate the unit only in the technical condition as stipulated and delivered by the manufacturer. Arbitrary changes to the unit will exclude the manufacturer from any liability for resulting injury and/or damage.

1. General Power Tool Safety Warnings

WARNING!

Read all safety warnings and all instructions. Failure to follow the warnings and instructions may result in electric shock, fire and/or serious injury. **Save all warnings and instructions for future reference.** The term "power tool" in all of the warnings refers to your mains-operated (corded) power tool or battery-operated (cordless) power tool.

1) Work area safety

- **Keep the work area clean and well lit.** Cluttered or dark areas invite accidents.
- **Do not operate power tools in explosive atmospheres, such as in the presence of flammable liquids, gases or dust.** Power tools create sparks which may ignite the dust or fumes.
- **Keep children and bystanders away while operating a power tool.** Distractions can cause you to lose control.

2) Electrical safety

- **Power tool plugs must match the outlet.** Never modify the plug in any way. Do not use any adapter plugs with earthed (grounded) power tools. Unmodified plugs and matching outlets will reduce risk of electric shock.
- **Avoid body contact with earthed or grounded surfaces, such as pipes, radiators, ranges and refrigerators.** There is an increased risk of electric shock if your body is earthed or grounded.

- **Do not expose power tools to rain or wet conditions.** Water entering a power tool will increase the risk of electric shock.
- **Do not abuse the cord.** Never use the cord for carrying, pulling or unplugging the power tool. Keep cord away from heat, oil, sharp edges or moving parts. Damaged or entangled cords increase the risk of electric shock.
- **When operating a power tool outdoors, use an extension cord suitable for outdoor use. Use of a cord suitable for outdoor use reduces the risk of electric shock.**
- **If operating a power tool in a damp location is unavoidable, use a residual current device (RCD) protected supply.** Use a RCD to reduce the risk of electric shock.

3) Personal safety

- **Stay alert, watch what you are doing and use common sense when operating a power tool. Do not use a power tool while you are tired or under the influence of drugs, alcohol or medication.** A moment of inattention while operating power tools may result in serious personal injury.
- **Use personal protective equipment. Always wear eye protection.** Protective equipment such as dust mask, non-skid safety shoes, hard hat, or hearing protection used for appropriate conditions will reduce personal injuries.
- **Prevent unintentional starting. Ensure the switch is in the off-position before connecting to power source and/or battery pack, picking up or carrying the tool.** Carrying power tools with your finger on the switch or energising power tools that have the switch on invites accidents.
- **Remove any adjusting key or wrench before turning the power tool on.** A wrench or a key left attached to a rotating part of the power tool may result in personal injury.
- **Do not overreach. Keep proper footing and balance at all times.** This enables better control of the power tool in unexpected situations.
- **Dress properly. Do not wear loose clothing or jewelry. Keep your hair, clothing and gloves away from moving parts.** Loose clothes, jewelry or long hair can be caught in moving parts.
- **If devices are provided for the connection of dust extraction and collection facilities, ensure these are connected and properly used.** Use of dust collection can reduce dust related hazards.
- **Do not let familiarity gained from frequent use of tools allow you to become complacent and ignore tool safety principles.** A careless action can cause severe injury within a fraction of a second.

4) Power tool use and care

- **Do not force the power tool. Use the correct power tool for your application.** The correct power tool will do the job better and safer at the rate for which it was designed.
- **Do not use the power tool if the switch does not turn it on and off.** Any power tool that cannot be controlled with the switch is dangerous and must be repaired.
- **Disconnect the plug from the power source and/or the battery pack from the power tool before making any adjustments, changing accessories, or storing power tools.** Such preventive safety measures reduce the risk of starting the power tool accidentally.
- **Store idle power tools out of the reach of children and do not allow persons unfamiliar with the power tool or these instructions to operate the power tool.** Power tools are dangerous in the hands of untrained users.
- **Maintain power tools. Check for misalignment or binding of moving parts, breakage of parts and any other condition that may affect the power tool's operation. If damaged, have the power tool repaired before use.** Many accidents are caused by poorly maintained power tools.
- **Keep cutting tools sharp and clean.** Properly maintained cutting tools with sharp cutting edges are less likely to bind and are easier to control.

- **Use the power tool, accessories and tool bits etc. in accordance with these instructions, taking into account the working conditions and the work to be performed.** Use of the power tool for operations different from those intended could result in a hazardous situation.
- **Keep handles and grasping surfaces dry, clean and free from oil and grease.** Slippery handles and grasping surfaces do not allow for safe handling and control of the tool in unexpected situations.

5) Battery tool use and care

- **Recharge only with the charger specified by the manufacturer.** A charger that is suitable for one type of battery pack may create a risk of fire when used with another battery pack.
- **Use power tools only with specifically designated battery packs.** Use of any other battery packs may create a risk of injury and fire.
- **When the battery pack is not in use, keep it away from other metal objects, like paper clips, coins, keys, nails, screws or other small metal objects that can make a connection from one terminal to another.** Shorting the battery terminals together may cause burns or a fire.
- **Under abusive conditions, liquid may be ejected from the battery; avoid contact. If contact accidentally occurs, flush with water. If liquid contacts eyes, additionally seek medical help.** Liquid ejected from the battery may cause irritation or burns.
- **Do not use a battery pack or tool that is damaged or modified.** Damaged or modified batteries may exhibit unpredictable behavior resulting in fire, explosion or risk of injury.
- **Do not expose a battery pack or tool to fire or excessive temperature.** Exposure to fire or temperature above 130 °C may cause an explosion. NOTE The temperature „130 °C“ can be replaced by the temperature „265 °F“.
- **Follow all charging instructions and do not charge the battery pack or tool outside the temperature range specified in the instructions.** Charging improperly or at temperatures outside the specified range may damage the battery and increase the risk of fire.

6) Service

- **Have your power tool serviced by a qualified repair person using only identical replacement parts.** This will ensure that the safety of the power tool is maintained.
- **Never service damaged battery packs.** Service of battery packs should only be performed by the manufacturer or authorized service providers.

2.Safety instructions for lawn mower

General safety instructions

- **To ensure your safety and for the safety of others, read this operating manual and its safety instructions before using the device.** Please keep the operating manual and its safety instructions safe for subsequent use and always have them ready to hand.If the unit changes ownership, hand over the operating manual with the unit.
- **Persons who operate the unit must not be under the influence of intoxicants (e.g. alcohol, drugs or medication).**
- **Operate the unit only in the technical condition stipulated and delivered by the manufacturer.**
- **Use the unit only in daylight or in good artificial lighting.**
- **Use the unit in dry conditions only. Protect it from rain and moisture.** The ingress of water into the unit increases the risk of an electric shock.

Switch the unit off and remove the safety key under the following conditions:

- if the unit is left unattended; before checking, cleaning or performing other work on the unit; before removing blockages;
- if a foreign object is hit; Check the lawn mower for damage, and have any damage repaired at a qualified technician or a service centre.
- if the unit starts vibrating excessively.

Before starting the unit

- Before starting work, familiarise yourself with the unit and its functions as well as its controls.
- Inspect the lawn mower before switching it on and check for signs of wear and damage. Never use the lawn mower with damaged or missing guards, e.g. dis-charge flap and/or grass catcher, housing, etc. Have damage repaired by a qualified technician or the service centre.
- Do not use a unit which has a defective switch and can no longer be switched on or off.
- When working with or on the unit, always wear sturdy footwear and long trousers. Do not operate the unit when barefoot or wearing sandals.
- Check the terrain on which the unit will be used and remove any all stones, sticks, wires, bones and other foreign objects, which could be picked up by the unit, to avoid endangering people.

When using the unit

- Do not switch on the unit if there are persons (particularly children) or animals in the immediate vicinity.
- Ensure that children do not play with the unit.
- Interrupt working if you notice that persons (particularly children) or pets are nearby.
- Working on steep slopes can be dangerous.
- Ensure that you have a firm footing and mow slowly.
- Always mow across the slope and not up and down.
- Be particularly careful when changing direction. There is a risk of tripping!
- Do not mow on steep slopes.
- Be particularly careful when mowing backwards and pulling the lawn mower towards yourself.
- Do not tilt the lawn mower when switching on the motor.
- Maintain a safe distance as provided by the handle frame.
- Do not switch on the motor until your feet are at a safe distance from the cutter bar.
- Be careful and do not reach into the rotating cutter bar.
- Switch the lawn mower off before tilting or transporting it, e.g. from/to lawn or over paths.
- Never run over gravel while the motor is running. There is a risk of being hit by stones!
- Before lifting or transporting the lawn mower, switch the motor off, pull out the safety key and wait until the cutter bar has come to a standstill.
- Do not adjust the cutting height until the motor has been switched off and the cutter bar has come to a standstill.
- Never open the discharge flap while the motor is running.

- Before removing the grass catcher, switch the motor off and wait until the cutter bar has come to a standstill. After emptying the grass catcher, carefully re-attach it and ensure that the grass catcher is attached securely to the lawn mower.
- If possible, do not mow wet grass.
- Do not work with the garden tool in a potentially explosive environment in which there are flammable liquids, gases or dust.
- When interrupting work, never leave the unit unattended and keep it in a safe place.

After using the unit

- Switch the unit off, remove the safety key and remove the battery from the mower then place the unit in a safe location.
- Do not keep the unit within the reach of children.
- Ensure that the ventilation slots in the unit are clean.
- Keep all nuts, bolts and screws tight to be sure that the lawn mower is in safe working condition.
- Check the grass catcher frequently for wear or damages.
- Use only the cutter bar, which are intended for this lawn mower.
- please follow the supplied installation instructions and remove the battery beforehand.
- Have repairs carried out exclusively by a qualified technician or a service centre.

Safety Warnings For Battery

- **Do not open the battery.** Danger of shortcircuiting.
- **Protect the battery against heat, e. g., against continuous intense sunlight, fire, water, and moisture.** Danger of explosion.
- **In case of damage and improper use of the battery, vapors may be emitted. Ventilate the area and seek medical help in case of complaints.** The vapors can irritate the respiratory system.
- **Use the battery only in conjunction with your SnapFresh product.** This measure alone protects the battery against dangerous overload.
- **The battery can be damaged by pointed objects such as nails or screwdrivers or by force applied externally.** An internal short circuit can occur and the battery can burn, smoke, explode or overheat.

Safety Warnings For Charger


Intended use


Charge only BBT-DC20A and BBT-DC40A type rechargeable Battery packs with the charger. Other types of batteries may burst to cause personal injury and damage.

- **The appliance is not to be used by persons (including children) with reduced physical, sensory or mental capabilities, or lack of experience and knowledge, unless they have been given supervision or instruction.**
- **Children being supervised not to play with the appliance.**
- **Do not recharge non-rechargeable batteries!**
- **During charging, batteries must be placed in the well ventilated area!**

TECHNICAL SPECIFICATIONS

Model No.	BBT-ZE33
Rated voltage	20V
Cutting width	330 mm
Capacity grass catcher	30L
Speed	3400 r.p.m.
Wheel size	140(Front)/160(rear) mm
Sound power level L _{WA}	96 dB(A)

Model Number	BBT-DC40A
Battery type	Lithium-ion
Voltage	20V 
Capacity	4.0 Ah
Recommended charger	BBT-YFT20V
Weight	0.6 kg

Model Number	BBT-YFT20V
Charger input	100-120V~60Hz 65W
Charger output	21V  2.5A
Charging time 2Ah battery	60 minutes
Charging time 4Ah battery	120 minutes
Recommended batteries	BBT-DC20A, BBT-DC40A
Weight	0.36 kg

Only use the following batteries of the SnapFresh power 20V battery platform. Using any other batteries could cause serious injury or damage the tool.

BBT-DC20A 20V, 2Ah Lithium-ion

BBT-DC40A 20V, 4Ah Lithium-ion

The following charger of the can be used to charge these batteries.

BBT-YFT20V Quick charger

The batteries of the SnapFresh power 20V battery platform are interchangeable with all the SnapFresh power 20V battery platform tools.

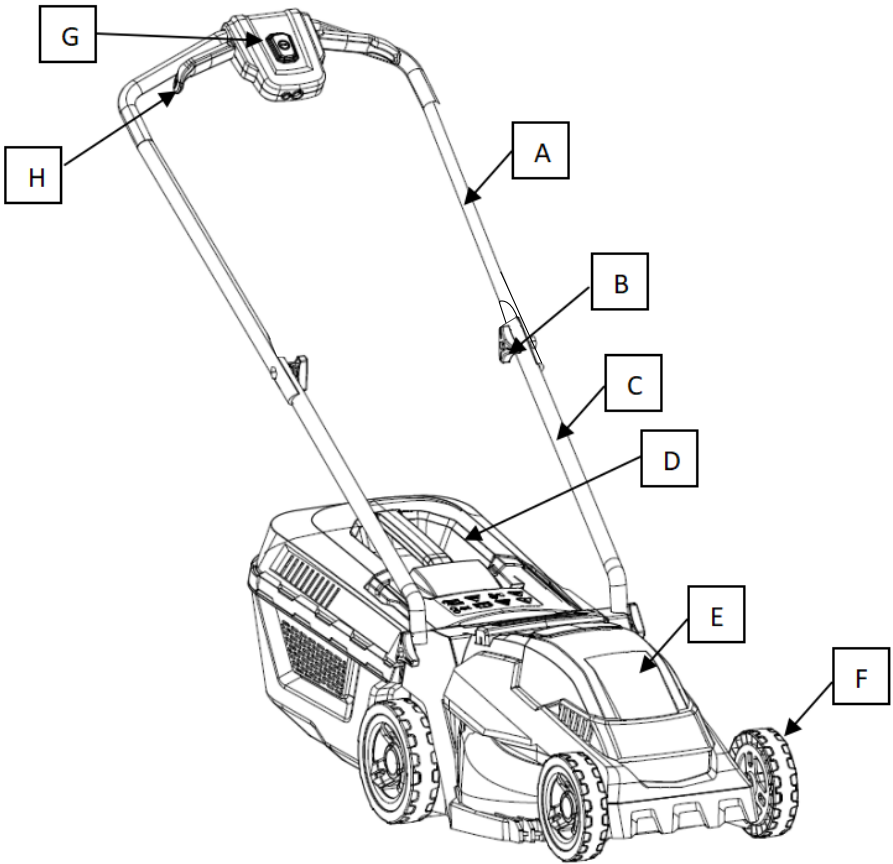
Vibration level

The vibration emission level stated in this instruction manual has been measured. It may be used to compare one tool with another and as a preliminary assessment of exposure to vibration when using the tool for the applications mentioned.

- Using the tool for different applications, or with different or poorly maintained accessories, may significantly increase the exposure level.
- The times when the tool is switched off or when it is running but not actually doing the job, may significantly reduce the exposure level.

Protect yourself against the effects of vibration by maintaining the tool and its accessories, keeping your hands warm, and organizing your work patterns.

ASSEMBLY



A. Upper handle
 D. Grass catcher
 G. Start Button

B. Knob
 E. Battery cover
 H. Brake Level

C. Lower handle
 F. Wheels

INSTRUCTIONS FOR USE

Before initial operation

Unpack the garden tool and accessories and check that no parts are missing or damaged.

NOTE

The batteries (optional; depending on delivery scope) are not fully charged on delivery. Prior to initial operation, charge the batteries fully. See user manual of the battery charger.

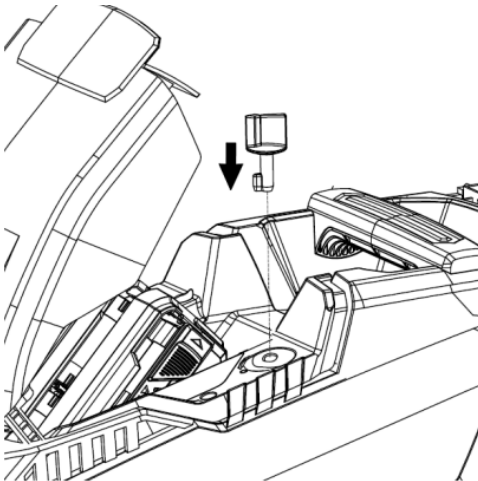
Safety key

The unit has a security key. The key is located under the battery cover.

By remove the key, the power supply to the motor is interrupted.

WARNING!

- Remove the safety key:
- if the unit is left unattended;
- before checking, cleaning or performing other work on the unit;
- before removing blockages;
- if a foreign object is hit.;Check the lawn mower for damage, and have any damage repaired at a qualified technician or a service centre.if the unit starts vibrating excessively.
- To remove the key: Rotate the key to position "0",and remove.
- To insert the safety key :Insert the key from position "0" and rotate the key to the position "-", the machine is ready to work. No battery switching is allowed when the machine is working.



Assembling

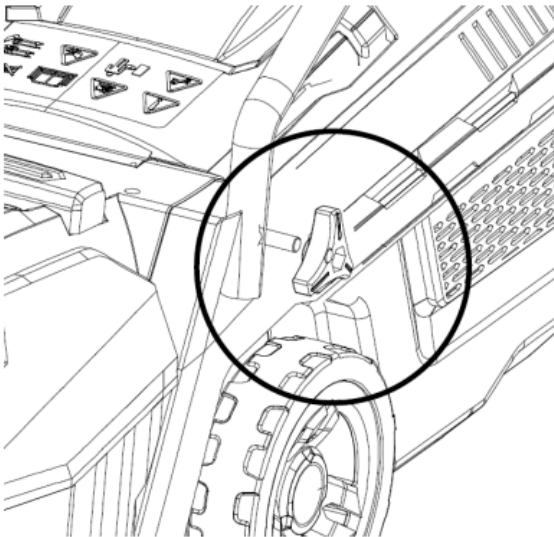


Before performing any work on the garden tool, remove the safety key.

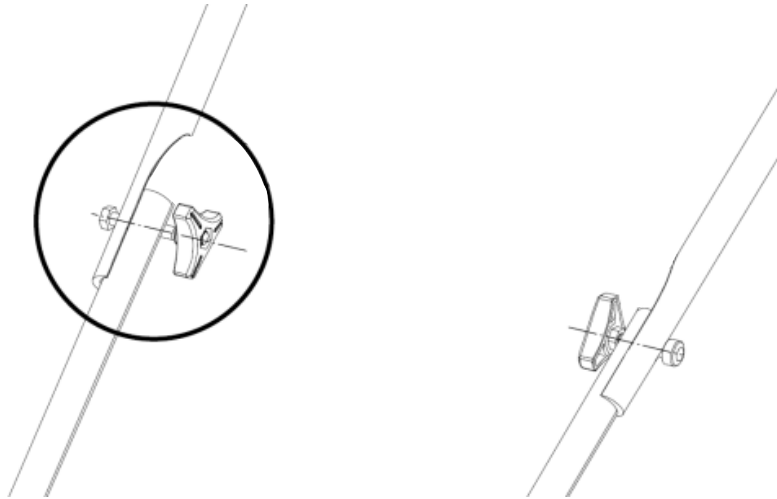
Attaching the handle bar

CAUTION!

- Tools are not required to attach the handle bar.
- Fold the lower handle upwards.
- Insert the lower handle into the two bolts and fasten the bar with the knobs.

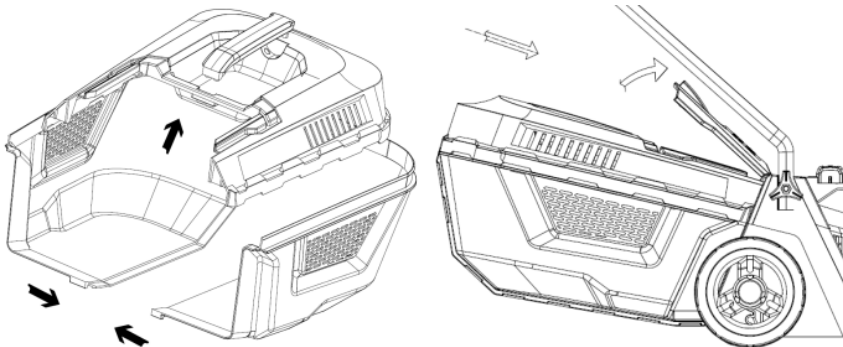


- Place the upper handle on the lower handle.
- Attach the upper handle.
- Insert the threaded bolt through the holes in the upper handle and the lower handle. Fasten the screw with the triangle knob.



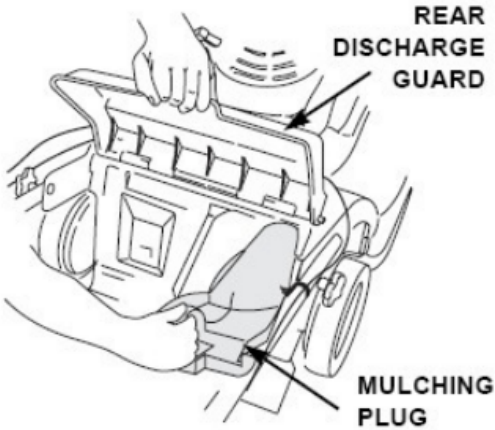
Attaching the grass catcher

1. Assembling grass catcher.
2. Lift the back cover of the mower.
3. Hook the grass catcher bag into the lawn mower.
4. Fold the back cover down again.



Attaching the mulching plug

The mulching plug helps to curve the inside of the mower deck for more efficient mulching. Install and remove the mulching plug by raising the rear discharge guard as shown. The mulching plug only fits one way. Remove the mulching plug when using a grass bag.

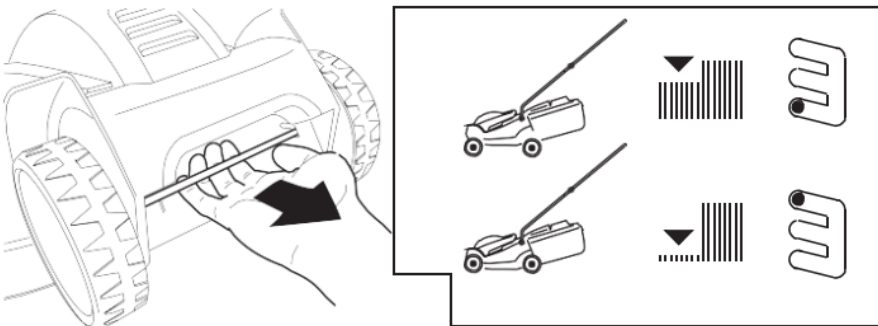


Note: Optional function, not all models have this function.

Adjusting the cutting height

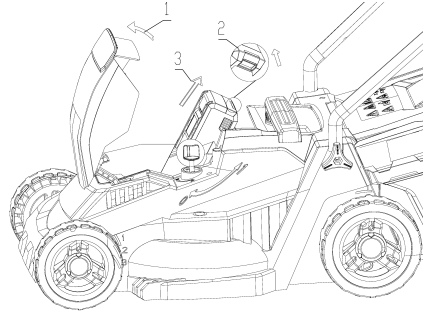
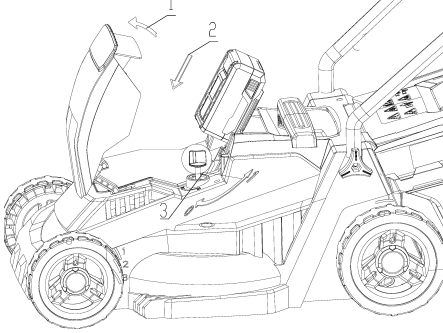
The cutting height can be adjusted in 3 steps with the cutting height adjustment.

1. Pull the handle outwards slightly.
2. Set the required cutting height.
3. Release the lever again.



Inserting/replacing the battery

1. Charging the battery as described in the user manual of the charger.
2. Open the battery cover.
3. Press the charged battery into the power tool until it clicks into place.
4. Close the battery cover.



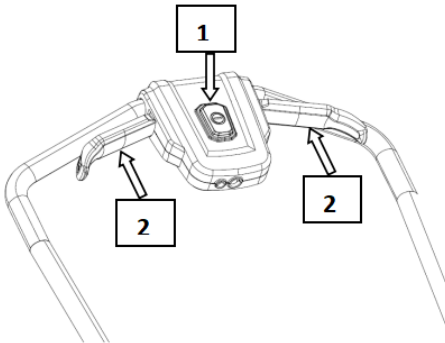
CAUTION!

Protect the battery contacts when the battery is not being used. Loose metal parts may short-circuit the contacts – Explosion and fire hazard!

Switching on/off the power tool

Switching on

Press the switch interlock and hold down (1).
Pull back On/Off switch (2) towards the handle.
The motor runs.



Switching off

Release the On-/Off-switch(2).



WARNING!

After release the On/Off switch, the cutter bar continues running briefly. Risk of injury!

Removing and emptying the grass catcher

If the grass catcher bag is full and should be emptied immediately.

1. Switch the motor off.
2. Wait until the cutter bar stops.
3. Lift the discharge flap.
4. Remove the grass catcher.
5. Lower the discharge flap down again.
6. Empty the grass catcher.
7. Before hooking, remove any obstructions from the cutting area.

Working without the grass catcher

When working without the grass catcher, the mowed grass is ejected directly downwards.

TIPS ON LAWN CARE

Here are some tips to help you keep your lawn looking healthy and ensure uniform growth: Lawns consist of various grass types. Frequent mowing promotes the growth of grass, resulting in strong roots and a firm sward. If you seldom cut the grass, you will enhance the development of high-growing types of grass and other weeds, such as clover, daisies. The normal height of a lawn is approx. 4–5 cm. Only one third of the total height should be mow; therefore cut 7–8 cm long grass to normal height.

MAINTENANCE



WARNING!

Before performing any maintenance and cleaning work on the garden tool, remove the battery. Sharp cutting tool! Wear protective gloves.

Cleaning

Lawn mower



WARNING!

- Do not use water or liquid detergents.
- Whenever possible, always clean the unit directly after mowing.
- Remove the battery.

- Remove the grass catcher.
- After mowing, always clean the lawn mower with a hand brush.the grass catcher.
- Remove grass residues carefully out of the cutting area. Remove stuck clipping deposits
 - using a stick.
- Keep the ventilation slits clean and dust-free.

Grass catcher

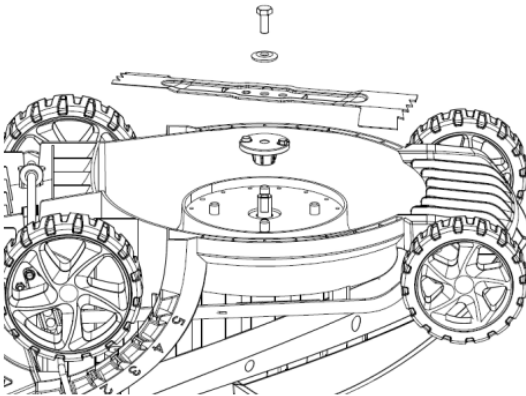
For thorough cleaning, the grass catcher can be cleaned with a hose.

Replacing/regrinding the cutter blade



WARNING!

To protect against injury from the cutter blade, have a specialist garage perform all work such as replacing or regrinding the cutter blade (special tools required).



Spare parts must conform with the requirements specified by the manufacturer. Therefore use original spare parts only or spare parts authorised by the manufacturer.

Repairs

Check the unit for damage. Repairs may be carried out by an authorised customer service center only.

Storage

- Remove the safety key and remove the battery from the mower before storing.
- Store the unit in a dry and frost-free place (10-25 °C).
- Store the battery and the unit separately.
- Charge the battery before storing the unit in winter.
- Keep the unit, in particular its plastic components, away from brake fluids, petrol, petroleum products, penetrating oil, etc. They contain chemical substances which may damage, attack or destroy the plastic components of the unit.

Folding the lawn mower

- The handle bar can be folded down to facilitate storage and transport.
- Loosen the screws of triangle knob on the upper handle and move the handle backwards.

ENVIRONMENT



Recycling raw materials instead of waste disposal.

Device, accessories and packaging should be recycled in an environmentally friendly manner. Plastic parts are identified for recycling according to material type.

WARNING!

- Do not throw accumulators/batteries into the household waste, fire or water.
- Do not open disused batteries.
- Accumulators/batteries should be collected, recycled or disposed of in an environmentally friendly manner.

WARRANTY

Ningbo Babytec Technology Co., Ltd (Hereinafter referred to as Babytec) warrants this product against defects in materials and/or workmanship under normal use for a period of ONE (1) YEAR from the date of purchase by the original purchaser ('Warranty Period').

The following circumstances are excluded from this guarantee:

- Repairs and or alterations have been made or attempted to the machine by unauthorized service centers;
- Normal wear and tear;
- The tool has been abused, misused or improperly maintained;
- Non-original spare parts have been used.

If a defect arises and a valid claim is received within the Warranty Period, at its option, Babytec will either 1) repair the defect at no charge, using new or refurbished replacement parts, or 2) replace the product with a new product that is at least functionally equivalent to the original product, or provide a store credit in the amount of the purchase price of the original product. A replacement product or part, including a part installed in accordance with instructions product by Babytec, assumes the remaining warranty of the original product. When a product or part is exchanged, any replacement item becomes your property and the replaced item becomes Babytec's property. When a store credit is given, the original product must be returned to Babytec and becomes Babytec's property. To obtain warranty service, e-mail Babytec Warranty Service at support@snapfresh-tools.com. Please be prepared to describe the product that needs service and the nature of the problem.

 +1 833 635 0955

(Monday - Friday 9 a.m. - 5 p.m. EST 6 a.m. - 2 p.m. PST)