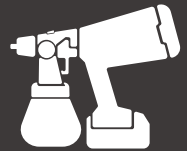




User Manual

CORDLESS SPRAY GUN PS180



 www.snapfreshtools.com  afterservice@snapfreshpro.com

 Read all safety rules and instructions carefully before operating this tool.








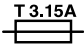




CONTENTS

Contents	2
Symbols	3
Safety warnings	4-7
Machine information	8
Function	9
How to use.....	9-15
Troubleshooting	16
Warning	17
Battery	17-18
Maintenance	19
Warranty	20

SYMBOLS

The following symbols are used in the user manual or on the product:

	<p>Read the user manual.</p>
	<p>Denotes risk of personal injury, loss of life or damage to the tool in case of non observance of the instructions in this manual.</p>
	<p>Risk of electric shock.</p>
	<p>Indoor use only.</p>
	<p>Class II machine - Double insulation - You don't need any earthed plug.</p>
	<p>Time-lag miniature fuse-link.</p>
	<p>Do not dispose of the product in unsuitable containers.</p>
	<p>The product is in accordance with the applicable safety standards in the European directives.</p>

SAFETY WARNINGS

GENERAL POWER TOOL SAFETY WARNINGS



WARNING! Read all safety warnings and all instructions. Failure to follow the warnings and instructions may result in electric shock, fire or serious injury.

Save all warnings and instructions for future reference.

The term "power tool" in the warnings refers to your mains-operated (corded) power tool or battery-operated (cordless) power tool.

1) Work area safety

- **Keep the work area clean and well lit.** Cluttered or dark areas invite accidents.
- **Do not operate power tools in explosive atmospheres, such as in the presence of flammable liquids, gases or dust.** Power tools create sparks which may ignite the dust or fumes.
- **Keep children and bystanders away while operating a power tool.** Distractions can cause you to lose control.

2) Electrical safety

- **Power tool plugs must match the outlet.** Never modify the plug in any way. Do not use any adapter plugs with earthed (grounded) power tools. Unmodified plugs and matching outlets will reduce the risk of electric shock.
- **Avoid body contact with earthed or grounded surfaces, such as pipes, radiators, ranges and refrigerators.** There is an increased risk of electric shock if your body is earthed or grounded.
- **Do not expose power tools to rain or wet conditions.** Water entering a power tool will increase the risk of electric shock.
- **Do not abuse the cord.** Never use the cord for carrying, pulling or unplugging the power tool. Keep cord away from heat, oil, sharp edges or moving parts. Damaged or entangled cords increase the risk of electric shock.
- **When operating a power tool outdoors, use an extension cord suitable for outdoor use.** Use of a cord suitable for outdoor use reduces the risk of electric shock.
- **If operating a power tool in a damp location is unavoidable, use a residual current device (RCD) protected supply.** The use of an RCD reduces the risk of electric shock.

3) Personal safety

- **Stay alert, watch what you are doing and use common sense when operating a power tool. Do not use a power tool while you are tired or under the influence of drugs, alcohol or medication.** A moment of inattention while operating power tools may result in serious personal injury.
- **Use personal protective equipment. Always wear eye protection.** Protective equipment such as dust mask, non-skid safety shoes, hard hat, or hearing protection used for appropriate conditions will reduce personal injuries.
- **Prevent unintentional starting. Ensure the switch is in the off-position before connecting to power source or battery pack, picking up or carrying the tool.** Carrying power tools with your finger on the switch or energizing power tools that have the switch on invites accidents.
- **Remove any adjusting key or wrench before turning the power tool on.** A wrench or a key left attached to a rotating part of the power tool may result in personal injury.
- **Do not overreach. Keep proper footing and balance at all times.** This enables better control of the power tool in unexpected situations.
- **Dress properly. Do not wear loose clothing or jewelry. Keep your hair, clothing and gloves away from moving parts.** Loose clothes, The jewelry or long hair can be caught in moving parts.
- **If devices are provided for the connection of dust extraction and collection facilities, ensure these are connected and properly used.** The use of dust-collection can reduce dust, related hazards.

4) Power tool use and care

- **Do not force the power tool. Use the correct power tool for your application.** The correct power tool will do the job better and safer at the rate for which it was designed.
- **Do not use the power tool if the switch does not turn it on and off.** Any power tool that cannot be controlled with the switch is dangerous and must be repaired.
- **Disconnect the plug from the power source and/or the battery pack from the power tool before making any adjustments, changing accessories, or storing power tools.** Such preventive safety measures reduce the risk of starting the power tool accidentally.
- **Store idle power tools out of the reach of children and do not allow persons unfamiliar with the power tool or these instructions to operate the power tool.** Power tools are dangerous in the hands of untrained users.
- **Maintain power tools. Check for misalignment or binding of moving parts, breakage of parts and any other condition that may affect the power tool's operation. If damaged, have the power tool repaired before use.** Many accidents are caused by poorly maintained power tools.
- **Keep cutting tools sharp and clean.** Properly maintained cutting tools with sharp cutting edges are less likely to bind and are easier to control.
- **The use of the power tool, accessories and tool bits, etc. in accordance with these instructions, taking into account the working conditions and the work to be performed.** Use of the power tool for operations different from those intended could result in a hazardous situation.

5) Battery tool use and care

- **Recharge only with the charger specified by the manufacturer.** A charger that is suitable for one type of battery pack may create a risk of fire when used with another battery pack.
- **Only use power tools with specifically designated battery packs.** Use of any other battery packs may create a risk of injury and fire.
- **When the battery pack is not in use, keep it away from other metal objects, like paper clips, coins, keys, nails, screws or other small metal objects that can make a connection from one terminal to another.** Shorting the battery terminals together may cause burns or a fire.
- **Under abusive conditions, liquid may be ejected from the battery; avoid contact. If contact accidentally occurs, flush with water. If liquid contacts eyes, additionally seek medical help.** Liquid ejected from the battery may cause irritation or burns.
- **Do not use a battery pack or tool that is damaged or modified.** Damaged or modified batteries may exhibit unpredictable behaviour resulting in fire, explosion or risk of injury.
- **Do not expose a battery pack or tool to fire or excessive temperature.** Exposure to fire or temperature above 130 °C may cause explosion. NOTE The temperature „130 °C“ can be replaced by the temperature „265 °F“.
- **Follow all charging instructions and do not charge the battery pack or tool outside the temperature range specified in the instructions.** Charging improperly or at temperatures outside the specified range may damage the battery and increase the risk of fire.

6) Service

- **Have your power tool serviced by a qualified repair person using only identical replacement parts.** This will ensure that the safety of the power tool is maintained.
- **Never service damaged battery packs.** Service of battery packs should only be performed by the manufacturer or authorized service providers.

SAFETY WARNINGS FOR CHARGER

Intended use

Charge only rechargeable Battery packs with the charger. Other types of batteries may burst causing personal injury and damage.

- The appliance is not to be used by persons (including children) with reduced physical, sensory or mental capabilities, or lack of experience and knowledge, unless they have been given supervision or instruction.
- Children being supervised not to play with the appliance.
- Do not recharging non-rechargeable batteries!
- During charging, batteries must be placed in the well ventilated area!

ELECTRICAL SAFETY



Always check that the voltage of the power supply corresponds to the voltage on the rating plate.

- Do not use the machine if the mains cable or the mains plug is damaged.
- Only use extension cables that are suitable for the power rating of the machine with a minimum thickness of 1.5 mm². If you use a extension cable reel, always fully unroll the cable.

WARNING WHEN WORKING WITH SPRAY GUN


- Keep your workplace clean and tidy, never use the tool in hazardous areas that contain flammable liquids, gasses or dusts.
- Only use paints, solvents or other materials with a flash point of 73 °F (22C) or higher.
- Never point the spray gun at other person or animal. In the event of an injury, seek immediate medical attention.
- Always read the paint manufacturer's thinning instructions before use.
- You must clean the spray gun thoroughly after each use.
- Do not pull the power cord to move this tool.




MACHINE INFORMATION

Technical Specifications

Model No.	PS180
Rated voltage	20V
Rated power	120W
Rated speed	30000RPM
Air flow	160L/MIN
Paint flow	100-200ml/min
2.0/4.0 Battery capacity	7L/14L (water)
Metal TIP SIZE	1.0, 1.8, 2.5mm
Spraying distance	200 250mm
Width	200-300mm
Viscosity	8 12s
Material pot capacity	1200ml

Model Number	BBT-DC40A
Battery type	Lithium-ion
Voltage	20V 
Capacity	4.0 Ah
Recommended charger	BBT-YFT20V
Weight	0.6kg

Model Number	BBT-YFT20V
Charger input	100-120V~60Hz 65W
Charger output	21V  2.5A
Charging time 2Ah battery	60 minutes
Charging time 4Ah battery	120 minutes
Recommended batteries	BBT-DC20A, BBT-DC40A
Weight	0.36 kg

Only use the following batteries of the SnapFresh power 20V battery platform. Using any other batteries could cause serious injury or damage the tool.

BBT-DC20A 20V, 2Ah Lithium-ion

BBT-DC40A 20V, 4Ah Lithium-ion

The following charger can be used to charge these batteries.

BBT-YFT20V Quick charger

The batteries of the SnapFresh power 20V battery platform are interchangeable with all the SnapFresh power 20V battery platform tools.

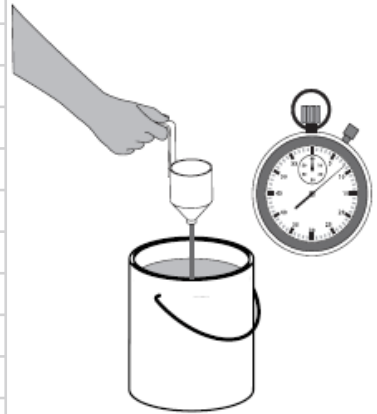
FUNCTION

Suitable for painting furniture, fences, doors, windows, walls, ceiling, and for car repairing, high altitude operation and so on.

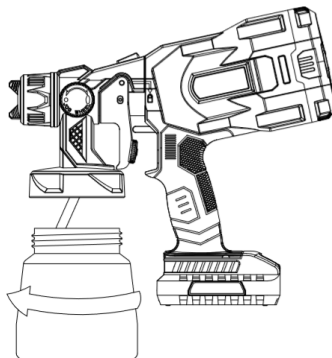
HOW TO USE

Before use the electric spray gun, material preparation is the first stage. Please refer to the thinning chart and picture.

Material	Run out Time (Sec)
1) Oil enamel	25-60
2) Oil based primer	30-60
3) Oil stain	No thinning required
4) Clear sealer	No thinning required
5) Polyurethane	No thinning required
6) Vamish	20-60
7) Lacquer sanding sealer	25-35
8) Lacquer	25-35
9) Automotive finishes	20-40
10) Latex	45-90

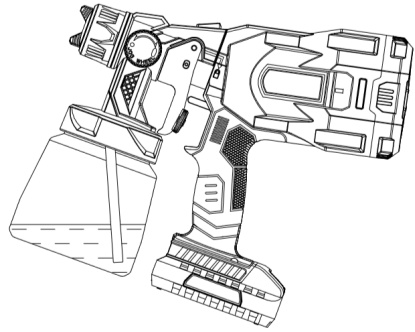


1) Unscrew the paint container from the spray gun.



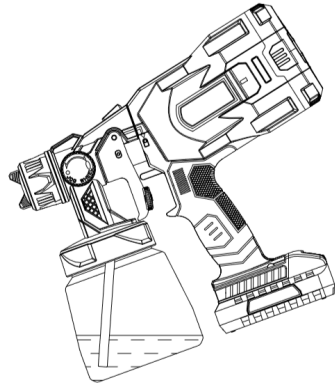
2) Adjust the suction tube.

Suction Tube ←



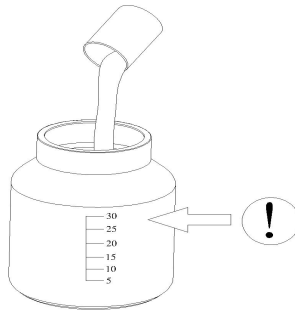
a) If spray in an upward direction, the angled end of the suction tube should be pointing toward the rear of the gun.

Suction Tube ←



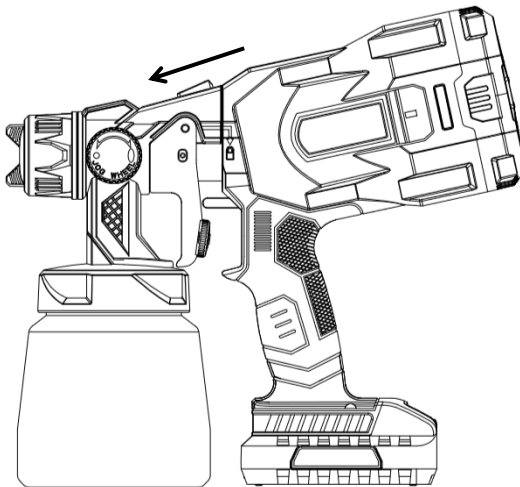
b) If spray in a downward direction, the angled end of the suction tube should be pointing towards the front of the gun.

3) Pour material into container, make sure not to exceed 1200ml



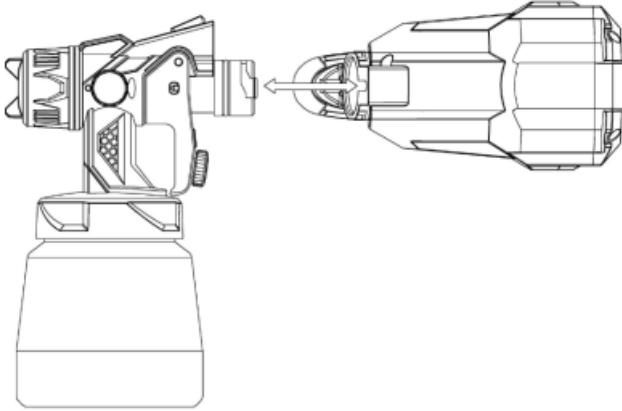
4) Remove the motor

- Hold the gun with your hand and press the latch in the direction of the arrow.
- At the same time hold the motor handle with your hand and rotate it counterclockwise 90°.
- Pull out to remove the motor from the gun.



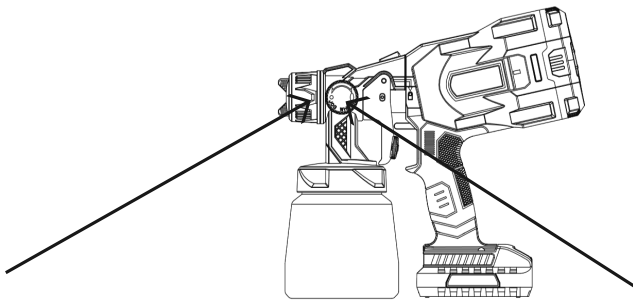
5) Connect gun body with motor

- Hold the gun with your hand to align the slot on the gun with the slot on the motor and insert it (as shown in the figure).
- Hold the motor handle with your hand, rotate the right hand clockwise 90°.
- When the gun and host are parallel, it is locked.



6) Adjust the needle adjusting screw to meet your requirement.

- Adjust the screw to left to decrease paint volume, lower paint thickness
- Adjust the screw to right to increase paint volume, increase paint thickness



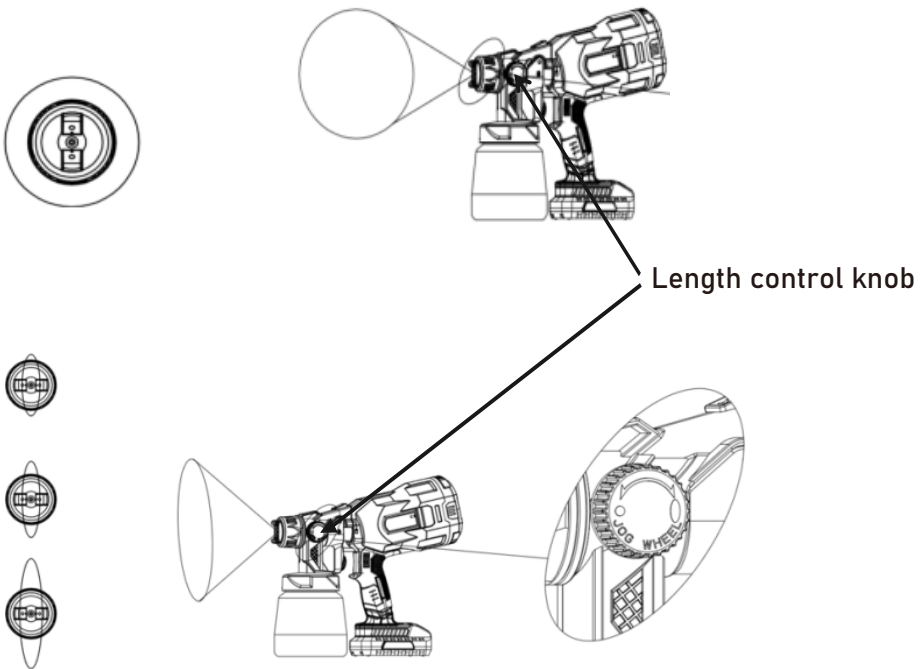
Adjustion ring

Adjustion Screw

7) Spray length adjustment: Turn this knob to adjust the round shape from vertical to horizontal.

Adjust the required length according to the spraying environment, reduce waste and save material.

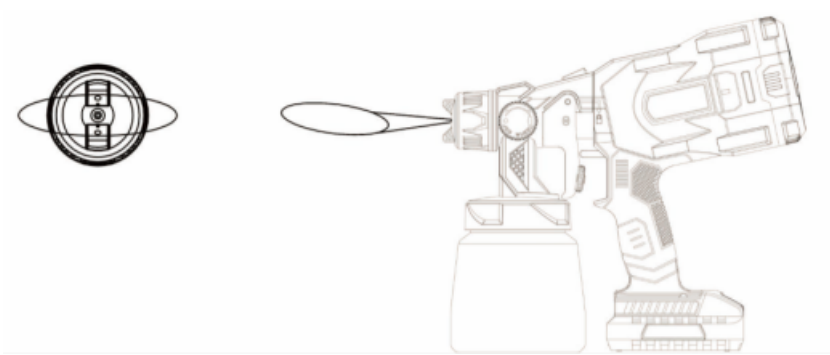
- a) The counterclockwise rotation shortens the length, and when it rotates to the stop position, it is sprayed with the largest circle.
- b) Adjust the screw to right to increase paint volume, increase paint thickness.



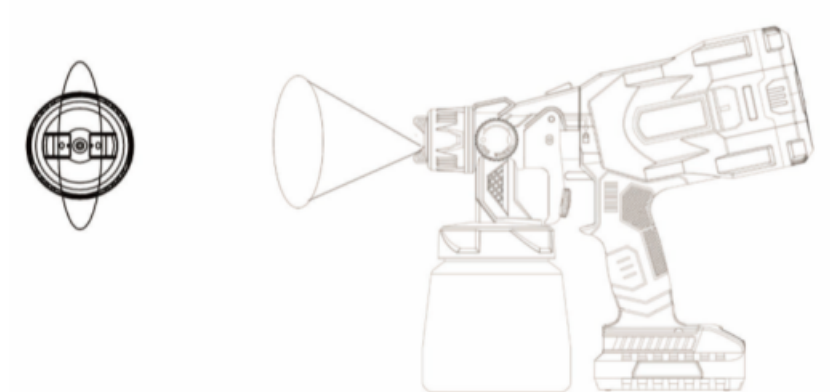
8) Adjusting spray patterns

- a) The gun spray patterns can be changed from a horizontal oval fan pattern to a round b) detailed pattern to a vertical fan pattern by adjusting the nozzle.

VERTICAL



HORIZONTAL



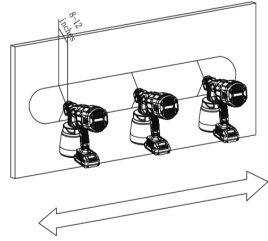
9) Open the power switch, pull trigger, the paint will spray from the nozzle.

HOW TO SPRAY PROPERLY

EVEN COAT THROUGHOUT

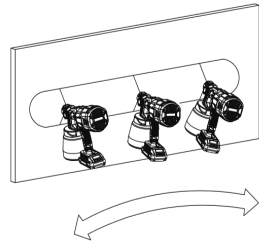
Correct:

Keep stroke smooth and at even speed



Incorrect :

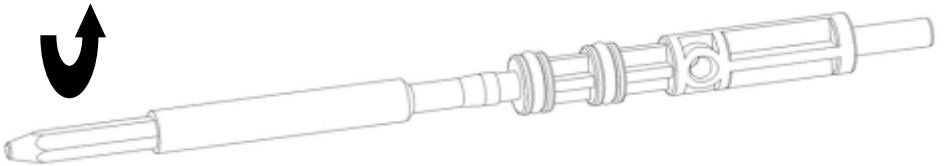
Do not flex wrist while spraying



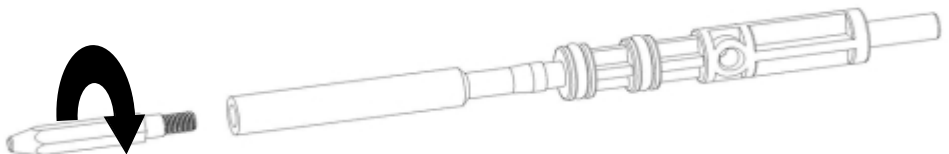
Replace nozzle and Needle

When disassembling the nozzle, please pull the trigger first, then press and remove the nozzle.

a) As shown in the figure, rotate to remove the needle



b) As shown in the figure, rotate to set up the needle



TROUBLESHOOTING

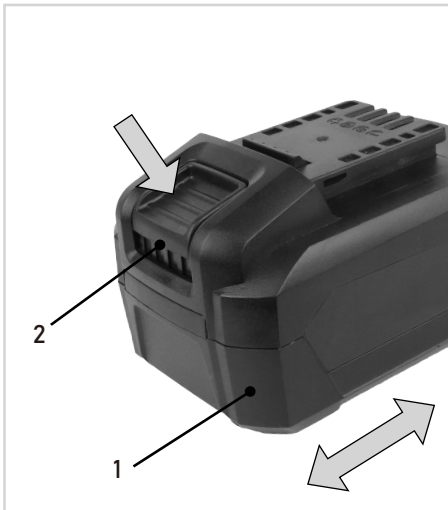
Problem Cause Solution

Problem	Cause	Solution
A.little or no material flow	1.nozzle clogged 2.suction tube clogged 3.material volume setting turn too far to the right 4.suction tube loose 5.material is too thick 6.inconsistent paint 7.container is loose	1.clean 2.clean 3.turn to the left 4.insert 5.check viscosity 6.strain paint 7.tighten the container
B.material leaking	1.nozzle loose 2.nozzle worn 3.nozzle seal worn 4.material build-up on spray pattern dial and nozzle	1.tighten 2.replace 3.replace 4.clean
C.atomization is too coarse	1.viacosity of material too high 2.material volume too large 3.nozzle clogged 4.too little pressure build-up in container	1.thin 2.turn to the right 3.clean 4.tighten container
D.spray jet pulsates	1.material in container running out. 2.material is too thick	1.refill 2.check viscosity
E.pattern runs or sags	1.applying too much material	1.adjust material flow or increase movement of spray gun
F.too much over-spray	1.gun too far from spray object 2.too much material applied	1.reduce distance 2.turn material volume setting to right
G.pattern is very light and splotchy	1.moving the spray gun too fast	1.adjust material flow or decrease movement of spray gun
H.large cloud of paint	1. gun too close to surface	1.move gun away from surface and reduce paint flow

WARNING!

- Keep your workplace clean and tidy, never use the tool in hazardous areas that contain flammable liquids, gasses or dusts.
- Only use paints, solvents or other materials with a flash point of 73 °F(22C) or higher.
- Never point the spray gun at other person or animal. In the event of an injury, seek immediate medical attention.
- Always read the paint manufacturer's thinning instructions before use.
- You must clean the spray gun thoroughly after each use.
- Do not pull the power cord to move this tool.

BATTERY



Before any work on the power tool, remove the battery.



The battery must be charged before first use.

DESCRIPTION

1. Battery
2. Battery unlock button
3. Battery LED indicators
4. Battery LED indicators button
5. Charger
6. Charger LED indicators

Checking the battery charging status

- To check the battery charge status, push the button on battery shortly.
- The battery has 3 lights indicating the charge level, the more lights that burn, the more charge the battery has left.
- When the lights are not burning it means the battery is empty and must be charged immediately.

Charging the battery with the charger

- Take the battery (1) from the machine.
- Turn the battery (1) to upside down position and slide it onto the charger (5).
- Push the battery until it is fully pushed into the slot.
- Plug the charger plug into an electrical outlet and wait for a while. The LED indicators (3) charger (5) will lighten up and show the charger status.

The LED indicators (3) will lighten up and show the charger status.

Red LED Status	Green LED status	Charger status
Off	Off	No power
Off	On	Standby mode: -No battery is inserted or, -Battery inserted but charging has finished
On	Off	Battery charging in progress

- Fully charging the 2Ah battery may take up to 60 minutes.
- Fully charging the 4Ah battery may up to 120 minutes.

After the battery is fully charged remove the charger plug from the outlet and remove the battery from the charger.

MAINTENANCE

Attention! Always remove the battery before carrying out any work on the machine.

To clean the tool, use a dry or moist, but not wet towel. Many cleaning agents contain chemical substances which may cause damage to the plastic parts of the tool. Do not use any strong or flammable cleaners such as petrol, paint thinner, turpentine or similar cleaning agents. Always keep air ventilation holes free of dust deposits to prevent overheating. Wear a dust mask and use a soft brush to clean the ventilation holes.

Servicing this tool must be done by a qualified person only. Service or maintenance performed by unqualified personnel could result in a risk of injury.

If the tool does not work properly, return the tool to a service facility for repair.

If the electrical cable is damaged, it may only be replaced by the supplier or by his repair workshop.

Battery disposal:



This symbol indicates that the batteries supplied with this product must not be treated as general household waste. To remove them safely, you must bring them to your retailer or discard them in special containers provided for the community. At the end of the device's life, remember to remove the batteries.

WARRANTY

Ningbo Winbay Technology Co.,Ltd. (Hereinafter referred to as Babytec) warrants this product against defects in materials and/or workmanship under normal use for a period of ONE (1) YEAR from the date of purchase by the original purchaser ('Warranty Period').

The following circumstances are excluded from this guarantee:


- Repairs and or alterations have been made or attempted to the machine by unauthorized service centers;
- Normal wear and tear;
- The tool has been abused, misused or improperly maintained;
- Non-original spare parts have been used.

If a defect arises and a valid claim is received within the Warranty Period, at its option, Babytec will either 1) repair the defect at no charge, using new or refurbished replacement parts, or 2) replace the product with a new product that is at least functionally equivalent to the original product, or provide a store credit in the amount of the purchase price of the original product. A replacement product or part, including a part installed in accordance with instructions product by Babytec, assumes the remaining warranty of the original product. When a product or part is exchanged, any replacement item becomes your property and the replaced item becomes Babytec's property. When a store credit is given, the original product must be returned to Babytec and becomes Babytec's property.

To obtain warranty service, e-mail Babytec Warranty Service at afterservice@snapfreshpro.com.

Please be prepared to describe the product that needs service and the nature of the problem.

To extend your warranty, please register at snapfreshpro.vip

 +1 833 635 0955

(Monday - Friday 9 a.m. - 5 p.m. EST 6 a.m. - 2 p.m. PST)