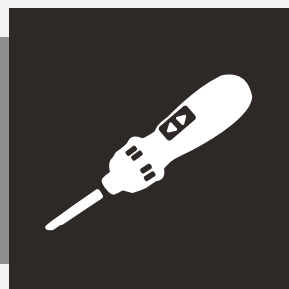




User Manual

CORDLESS SCREWDRIVER
BBT-POL36



Please scan the QR CODE for more services.

+1 833 635 0955 support@snapfreshtools.com

▲ Read all safety rules and instructions carefully before operating this tool.



CONTENTS

General power tool safety warnings	3
1. Work area safety.....	3
2. Electrical safety.....	3-4
3. Personal safety.....	4-5
4. Power tool use and care	5-6
5. Use and handling of the cordless electrical power tool	6-7
6. Service	7-8
Safety guidelines for screwdrivers	8
Safety guidelines for battery chargers	8
Introduction	9
Intended use	9
Assembly.....	10
Features.....	11
Package contents	11
Technical specifications	12-13
Before use	14
Charging the battery	14
Inserting bits	15
Use	16
Switching the cordless screwdriver on/off	16
Torque selection ring	16
Maintenance, storage and cleaning	17
Disposal	18
Warranty	19



General power tool safety warnings



WARNING!

- ▶ **Read all safety warnings, instructions, illustrations and specifications provided with this power tool.** Failure to follow all instructions listed below may result in electric shock, fire and/or serious injury.

Save all warnings and instructions for future reference.

The term "powertool" in the warnings refers to your mains-operated (corded) power tool or battery-operated (cordless) power tool.

1. Work area safety

- Keep work area clean and well lit.** Cluttered or dark areas invite accidents.
- Do not operate power tools in explosive atmospheres, such as in the presence of flammable liquids, gases or dust.** Power tools create sparks, which may ignite the dust or fumes.
- Keep children and bystanders away while operating a power tool.** Distractions can cause you to lose control.

2. Electrical safety

- Power tool plugs must match the outlet. Never modify the plug in any way.**

Do not use any adapter plugs with earthed (grounded) power tools. Unmodified plugs and matching outlets will reduce risk of electric shock.

- b) Avoid body contact with earthed or grounded surfaces, such as pipes, radiators, ranges and refrigerators.** There is an increased risk of electric shock if your body is earthed or grounded.
- c) Do not expose power tools to rain or wet conditions.** Water entering a power tool will increase the risk of electric shock.
- d) Do not abuse the cord. Never use the cord for carrying, pulling or unplugging the power tool.** Keep cord away from heat, oil, sharp edges or moving parts. Damaged or entangled cords increase the risk of electric shock.
- e) When working outdoors with an electrical power tool, always use extension cords that are also suitable for use outdoors.** Use of a cord suitable for outdoor use reduces the risk of electric shock.
- f) If operating a power tool in a damp location is unavoidable, use a residual current device (RCD) protected supply.** Use of an RCD reduces the risk of electric shock.

3. Personal safety

- a) Stay alert, watch what you are doing and use common sense when operating a power tool.** Do not use a power tool while you are tired or under the influence of drugs, alcohol or medication. A moment of inattention while operating a power tool may result in serious personal injury.
- b) Use personal protective equipment. Always wear eye protection.** Protective equipment such as a dust mask, non-skid safety shoes, hard hat or hearing protection used for appropriate conditions will reduce personal injuries.
- c) Prevent unintentional starting. Ensure the switch is in the off-position before connecting to power source and/or battery pack, picking up or carrying the tool.** Carrying power tools with your finger on the switch or energising power tools that have the switch on invites accidents.

- d) Remove any adjusting key or wrench before turning the power tool on.** A wrench or a key left attached to a rotating part of the power tool may result in personal injury.
- e) Do not overreach. Keep proper footing and balance at all times.** This enables better control of the power tool in unexpected situations.
- f) Dress properly. Do not wear loose clothing or jewellery. Keep your hair and clothing away from moving parts.** Loose clothes, jewellery or long hair can be caught in moving parts.
- g) If devices are provided for the connection of dust extraction and collection facilities, ensure these are connected and properly used.** Use of dust collection can reduce dust-related hazards.
- h) Do not allow yourself to get lulled into a false sense of security and do not ignore the safety rules for power tools, even if you are familiar with the power tool after repeated use.** A careless action can cause severe injury within a fraction of a second.

4. Power tool use and care

- a) Do not force the power tool. Use the correct power tool for your application.** The correct power tool will do the job better and safer at the rate for which it was designed.
- b) Do not use the power tool if the switch does not turn it on and off.** Any power tool that cannot be controlled with the switch is dangerous and must be repaired.
- c) Disconnect the plug from the power source and/or remove the battery pack, if detachable, from the power tool before making any adjustments, changing accessories, or storing power tools.** Such preventive safety measures reduce the risk of starting the power tool accidentally.
- d) Store idle power tools out of the reach of children and do not allow Persons who unfamiliar with the power tool or these instructions to operate the power tool.** Power tools are dangerous in the hands of untrained users.

- e) **Maintain power tools and accessories.** Check for misalignment or binding of moving parts, breakage of parts and any other condition that may affect the power tool's operation. If damaged, have the power tool repaired before use. Many accidents are caused by poorly maintained power tools.
- f) **Keep cutting tools sharp and clean.** Properly maintained cutting tools with sharp cutting edges are less likely to bind and are easier to control.
- g) **Use the power tool, accessories and accessory tools, etc. in accordance with these instructions, taking into account the working conditions and the work to be performed.** Use of the power tool for operations different from those intended could result in a hazardous situation.
- h) **Keep handles and grasping surfaces dry, clean and free from oil and grease.** Slippery handles and grasping surfaces do not allow for safe handling and control of the tool in unexpected situations.

5. Use and handling of the cordless electrical power tool

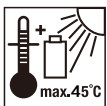
- a) **Charge a rechargeable battery using only the charger recommended by the manufacturer.** Chargers are often designed for a particular type of rechargeable battery unit. There is the danger of fire if other types of rechargeable battery units are used.
- b) **Only the rechargeable battery units supplied are to be used with an electrical power tool.** The use of other rechargeable battery units may lead to the danger of injury or fire.
- c) **When they are not being used, store the rechargeable battery units away from paperclips, coins, keys, nails, screws or other small metal objects that could cause the contacts to be bridged.** Short-circuiting the contacts of a rechargeable battery unit may result in heat damage or fire.

- d) Fluids may leak out of rechargeable battery units if they are misused. If this happens, avoid contact with the fluid. If contact occurs, flush the affected area with water. Seek additional medical help if any of the fluid gets into your eyes. Escaping battery fluid may cause skin irritation or burns.
- e) **Do not use damaged or modified batteries.** Damaged or modified batteries may behave unexpectedly and cause fires, explosions or pose a risk of injury.
- f) **Do not expose a battery to fire or excessively high temperatures.** Fire or temperatures in excess of 130°C (265F) can cause an explosion.
- g) **Follow all instructions regarding charging and never charge the battery or the cordless tool outside of the temperature range given in the operating instructions.** Incorrect charging or charging outside of the permissible temperature range can destroy the battery and increase the risk of fire.



CAUTION! RISK OF EXPLOSION!

Never charge non-rechargeable batteries.



Protect the rechargeable battery from heat (for example, from continuous exposure to sunlight), fire, water and moisture.



There is a risk of explosion.



6. Service

- a) **Have your power tool serviced by a qualified repair person using only identical replacement parts.** This will ensure that the safety of the power tool is maintained.

b) **Never try to repair damaged batteries.** Batteries should only be maintained by the manufacturer or an approved customer service centre.

Safety guidelines for screwdrivers

WARNING!

- **Hold the power tool by the insulated gripping surfaces when performing an operation where a screw may contact hidden wiring.** If a screw comes into contact with a live wire, this may make exposed metal parts of the power tool live and could give the operator an electric shock.


Safety guidelines for battery chargers

- This appliance may be used by children aged 8 years and above and by persons with limited physical, sensory or mental capabilities or lack of experience and knowledge, provided that they are under supervision or have been told how to use the appliance safely and are aware of the potential risks. Do not allow children to play with the appliance. Cleaning and user maintenance tasks may not be carried out by children unless they are supervised.



The charger is suitable for indoor use only.

- If it is necessary to replace the connecting cable, this must be done by the manufacturer or his representative to avoid safety hazards.

WARNING! Use only the power cable supplied with the supplied charger .

Introduction

Congratulations on the purchase of your new appliance. You have chosen a high-quality product. The operating instructions are part of this product. They contain important information about safety, usage and disposal. Before using the product, please familiarise yourself with all the operating and safety instructions. Use the product only as described and for the range of applications specified. Please also pass these operating instructions on to any future owner.

Intended use

Cordless screwdriver

This cordless screwdriver is intended for tightening and loosening screws in wood, metal and similar materials.

This cordless screwdriver (including accessories) is not intended for work on live electric parts or installations. Work on electric installations may only be carried out by qualified technicians in compliance with safety regulations and only in a de-energised state.

Use this cordless screwdriver only as described and for the areas of applications specified.

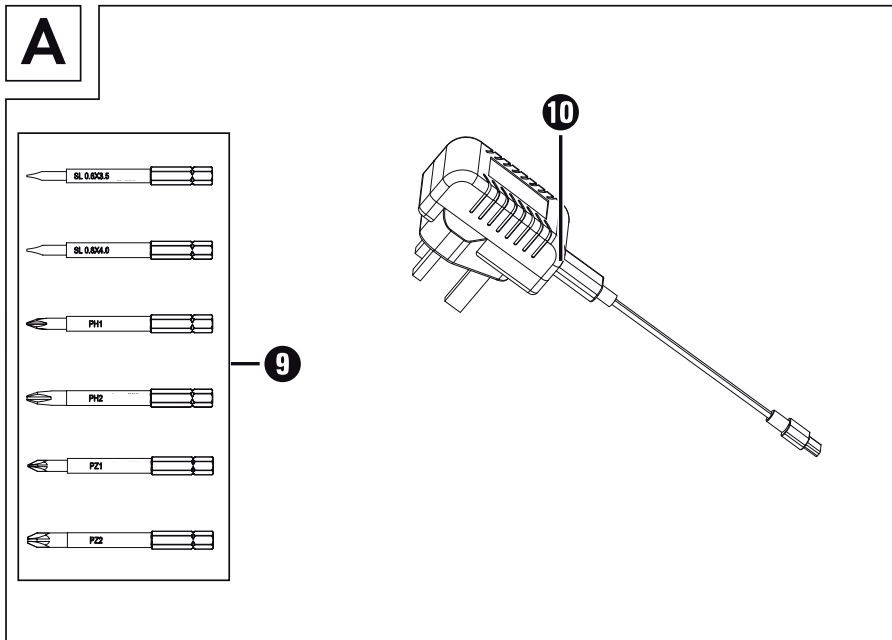
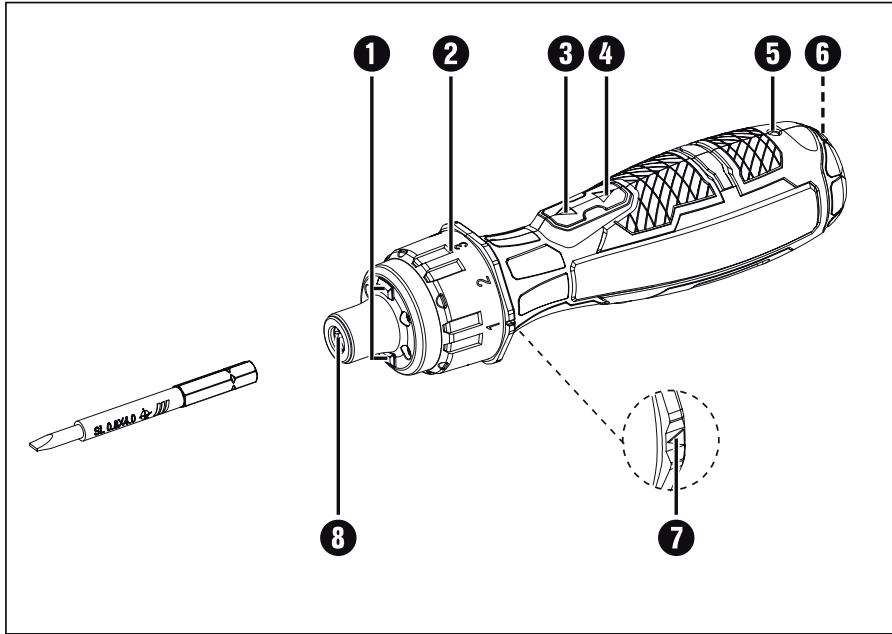
The cordless screwdriver is not intended for commercial/industrial use. Any other usage or modification of the cordless screwdriver is deemed to be improper and carries a significant risk of accidents. The manufacturer accepts no responsibility for damage attributable to misuse.

Insulated bits

The accessories include electrically insulated bits that are to be used exclusively with this cordless screwdriver.

The insulated bits must be visually checked by the user before each use.

Assembly



Features

- 1 LED lamps
- 2 Torque selection ring
- 3 Rotation direction switch: right ▲
- 4 Rotation direction switch: left ▼
- 5 Battery charge level indicator
- 6 Charging socket
- 7 Torque selection display
- 8 Tool holder
- 9 Insulated bits
- 10 Charger

Package contents

- 1 * cordless screwdriver with torque pre-selection
- 6 * insulated screw bits
(SL0.3.5/SL0.8.0/PH1/PH2/PZ1/PZ2)
- 1 * charging cable
- 1 * charger
- 1 * carrying case
- 1 * set of operating instructions

Technical specifications

Cordless screwdriver

Nominal voltage	4 V --- (DC)
Rechargeable battery (integrated)	Lithium (1 cell)
Battery capacity	1500 mAh
Rated idle speed	n_0 215 rpm
Protection rating	IP 4X, Protection against penetration by foreign bodies $\phi > 1$ mm. Keep away from tools and wires
Max. torque	0.4 Nm (electrical operation) 8 Nm (manual operation)

Charger BBT-POL36-1

INPUT

Rated voltage	100-240V~(AC), 50/60 Hz
Rated current	0.4 A

OUTPUT

Rated voltage	5.0V --- (DC)
Rated current	1.7 A
Charging time	approx. 1 hr
Protection class	II/ \square (double insulation)

Noise and vibration data

Sound pressure level	$L_{pA} = 67.8$ dB (A)
Sound power level	$L_{WA} = 78.8$ dB (A)
Uncertainty K	$K_{pA/WA} = 3$ dB

Screws

Vibration emission value	$a_h = 0.79 \text{ m/s}^2$
Uncertainty	$k = 1.5 \text{ m/s}^2$

NOTE

- ▶ The vibration emission values and the noise emission values given in these instructions have been measured in accordance with a standardised test procedure and can be used for comparing one power tool with another.
- ▶ The specified total vibration values and the noise emission values can also be used to make a provisional load estimate.

WARNING!

- ▶ Depending on the manner in which the power tool is being used, and in particular the kind of workpiece being worked, the vibration and noise emission values can deviate from the values given in these instructions during actual use of the power tool.

WARNING!

- ▶ Try to keep the vibration load as low as possible. Measures to reduce the vibration load are, e.g. wearing gloves and limiting the working time. Where in all states of operation must be included (e.g. times when the power tool is switched off and times where the power tool is switched on but running without load).

Before use


Charging the battery

NOTE

- ▶ The battery is supplied partially charged. Before first use, charge the battery in the charger for approx. 1 hour. This guarantees full battery power. Li-ion batteries can be charged at any time without adversely affecting their service life. Interruption of the charging process will not damage the battery.
- ▶ If the battery charge level indicator **5** lights up red during use, the battery is at less than 30% of its capacity and needs to be charged.
- ▶ Never charge the cordless appliance when the ambient temperature is below 10°C or above 40°C. If a lithium-ion battery is to be stored for an extended period, the charge level should be checked regularly. The optimum charge level is between 50 and 80%. The use and storage climate should be cool and dry and the ambient temperature should be between 0 and 50°C.

Inserting bits

WARNING!

- ▶ The insulated bit **9** must be visually checked by the user before each use. The insulation must be checked for possible damage, among other things.
- ▶ If there is any doubt about the safety of the isolated bits, they should either be scrapped or examined by an expert.
- ▶  Only the supplied insulated bits are suitable for work under a voltage of 1000V.
Only these insulated bits and the cordless screwdriver in combination may be used by a qualified electrician to work on live components!
- ▶ Never use other, non-approved bits to work on live components! This can result in the following hazards:
 - Risk of electrocution for the user;
 - Risk of exposure of the built-in battery to external voltages (fire, explosion);
 - Risk of external voltage effects and potential transfer (voltage) at the charging socket **6** and possibly further potential transfer via the connected USB cable to other sources;
 - The insulated bits must not be used with other manual drive parts (e.g. handles, ratchet, etc.).

Inserting

- ◆ Insert an insulated bit **9** into the tool holder **8**.

Removal

- ◆ Pull the insulated bit **9** out of the tool holder **8**.

Use

Switching the cordless screwdriver on/off

Switching on

- ◆ To start the cordless screwdriver, press and hold either the rotation direction switch: right ▲ **3** or the rotation direction switch:left ▼ **4**.

The LED lamps **1** light up.

Switching off

- ◆ To stop the cordless screwdriver, simply let go of the rotation direction switch: right ▲ **3** or the rotation direction switch: left ▼ **4**. The LED lamps **1** go out.

Torque selection ring

You can set the torque on the torque selection display **7** using the torque selection ring **2**.

- ◆ Select a low level for small screws or soft materials.
- ◆ Select a high level for large screws, hard materials or removing screws.

Maintenance, storage and cleaning



WARNING! RISK OF ELECTRIC SHOCK!

Before cleaning, disconnect the charger **10** from the mains socket.



WARNING!

- ▶ The insulated bits **9** should be stored carefully to minimise the risk of damage to the insulation during storage or transport. The insulated bits **9** should generally be stored separately from other tools to avoid mechanical damage or mix-ups. In addition, the insulated bits **9** should be protected against excessive heat (e.g. heating pipes or steam pipes) and UV radiation.
- ▶ We recommend having the tool inspected annually by an appropriately trained person is recommended to determine the suitability of the insulated bits **9** for further use.

The cordless screwdriver is easy to maintain.

- The cordless screwdriver must always be kept clean, dry and free from oil or grease.
- Never allow liquids to get into the tool.
- Use a dry cloth to clean the housing. Never use petrol, solvents or cleaners which can damage the plastic.
- Remove the attachments before cleaning. Clean them with a dry cloth.
- Always ensure the cordless screwdriver and attachments are clean, free of dust and dry before storing.



WARNING!

Remove the attachments before cleaning. Clean them with a dry cloth.

Disposal



The packaging is made of environmentally friendly materials which you can dispose of at your local recycling centre.

NOTE

- ▶ The integrated rechargeable battery in this appliance cannot be removed for disposal.
- ▶ The integrated lithium-ion battery may only be removed by trained personnel. To remove the battery from the housing, the battery must be empty and the screws unscrewed from the housing. The connections on the battery must individually be disconnected and isolated.



Your local community or municipal authorities can provide information on how to dispose of the worn-out product.

Warranty

Ningbo Babytec Technology Co., Ltd (Hereinafter referred to as Babytec) warrants this product against defects in materials and/or workmanship under normal use for a period of ONE (1) YEAR from the date of purchase by the original purchaser ('Warranty Period').

The following circumstances are excluded from this guarantee:

- Repairs and or alterations have been made or attempted to the machine by unauthorized service centers;
- Normal wear and tear;
- The tool has been abused, misused or improperly maintained;
- Non-original spare parts have been used.

If a defect arises and a valid claim is received within the Warranty Period, at its option, Babytec will either 1) repair the defect at no charge, using new or refurbished replacement parts, or 2) replace the product with a new product that is at least functionally equivalent to the original product, or provide a store credit in the amount of the purchase price of the original product. A replacement product or part, including a part installed in accordance with instructions product by Babytec, assumes the remaining warranty of the original product. When a product or part is exchanged, any replacement item becomes your property and the replaced item becomes Babytec's property. When a store credit is given, the original product must be returned to Babytec and becomes Babytec's property. To obtain warranty service, e-mail Babytec Warranty Service at support@snapfreshtools.com. Please be prepared to describe the product that needs service and the nature of the problem.

 **+1 833 635 0955**

(Monday - Friday 9 a.m. - 5 p.m. EST 6 a.m. - 2 p.m. PST)

All rights reserved by Ningbo Babytec Technology Co.,Ltd

