



# User Manual

CORDLESS RECIPROCATING SAW  
BBT-JOL01



Scan here to contact us

[24Hrs Online]



[https://snapfresh.afterservice.vip](https://snapfresh afterservice.vip)

+1 833 635 0955 [support@snapfreshtools.com](mailto:support@snapfreshtools.com)

**⚠** Read all safety rules and instructions carefully before operating this tool.



# CONTENTS

Contents .....	2
Symbols .....	3
Safety instructions .....	4-7
Machine information .....	7-8
Assembly .....	8-13
Operation .....	13-14
Maintenance .....	14
Environment .....	14
Warranty .....	15

# SYMBOLS

The following symbols are used in the user manual or on the product:

	Read the user manual.		Class II machine - Double insulation You don't need any earthed plug.
	Denotes risk of personal injury, loss of life or damage to the tool in case of non-observance of the instructions in this manual.		Time-lag miniature fuse-link.
	Keep bystanders, especially children and pets, at a distance greater than 10m.		Max temperature 45 °C.
	Wear eye protection.		Do not throw the battery into fire.
	Wear ear protection.		Do not throw the battery into water.
	Wear a dust mask protection.		Separate collection for Li-ion battery.
	Danger Area! Keep hands far away (10cm) from the cutting area while the machine is running. Danger of injury when coming in contact with the saw blade.		The product is in accordance with the applicable safety standards in the European directives.
	Indoor use only.		

# SAFETY INSTRUCTIONS

Read the enclosed safety warnings, the additional safety warnings and the instructions. Failure to follow the safety warnings and the instructions may result in electric shock, fire and/or serious injury. Save the safety warnings and the instructions for future reference.

## GENERAL POWER TOOL SAFETY WARNINGS



**WARNING!** Read all safety warnings and all instructions. Failure to follow the warnings and instructions may result in electric shock, fire and/or serious injury.

Save all warnings and instructions for future reference.

The term "power tool" in the warnings refers to your mains-operated (corded) power tool or battery-operated (cordless) power tool.

### 1) Work area safety

- **Keep the work area clean and well lit.** Cluttered or dark areas invite accidents.
- **Do not operate power tools in explosive atmospheres, such as in the presence of flammable liquids, gases or dust.** Power tools create sparks which may ignite the dust or fumes.
- **Keep children and bystanders away while operating a power tool.** Distractions can cause you to lose control.

### 2) Electrical safety

- **Power tool plugs must match the outlet.** Never modify the plug in any way. Do not use any adapter plugs with earthed (grounded) power tools. Unmodified plugs and matching outlets will reduce risk of electric shock.
- **Avoid body contact with earthed or grounded surfaces, such as pipes, radiators, ranges and refrigerators.** There is an increased risk of electric shock if your body is earthed or grounded.
- **Do not expose power tools to rain or wet conditions.** Water entering a power tool will increase the risk of electric shock.
- **Do not abuse the cord.** Never use the cord for carrying, pulling or unplugging the power tool. Keep cord away from heat, oil, sharp edges or moving parts. Damaged or entangled cords increase the risk of electric shock.
- **When operating a power tool outdoors, use an extension cord suitable for outdoor use. Use of a cord suitable for outdoor use reduces the risk of electric shock.**
- **If operating a power tool in a damp location is unavoidable, use a residual current device (RCD) protected supply.** Use of an RCD reduces the risk of electric shock.

### 3) Personal safety

- **Stay alert, watch what you are doing and use common sense when operating a power tool. Do not use a power tool while you are tired or under the influence of drugs, alcohol or medication.** A moment of inattention while operating power tools may result in serious personal injury.
- **Use personal protective equipment. Always wear eye protection.** Protective equipment such as dust mask, non-skid safety shoes, hard hat, or hearing protection used for appropriate conditions will reduce personal injuries.
- **Prevent unintentional starting. Ensure the switch is in the off-position before connecting to power source and/or battery pack, picking up or carrying the tool.** Carrying power tools with your finger on the switch or energising power tools that have the switch on invites accidents.

- **Remove any adjusting key or wrench before turning the power tool on.** A wrench or a key left attached to a rotating part of the power tool may result in personal injury.
- **Do not overreach. Keep proper footing and balance at all times.** This enables better control of the power tool in unexpected situations.
- **Dress properly. Do not wear loose clothing or jewellery. Keep your hair, clothing and gloves away from moving parts.** Loose clothes, jewellery or long hair can be caught in moving parts.
- **If devices are provided for the connection of dust extraction and collection facilities, ensure these are connected and properly used.** Use of dust collection can reduce dust related hazards.

#### 4) Power tool use and care

- **Do not force the power tool. Use the correct power tool for your application.** The correct power tool will do the job better and safer at the rate for which it was designed.
- **Do not use the power tool if the switch does not turn it on and off.** Any power tool that cannot be controlled with the switch is dangerous and must be repaired.
- **Disconnect the plug from the power source and/or the battery pack from the power tool before making any adjustments, changing accessories, or storing power tools.** Such preventive safety measures reduce the risk of starting the power tool accidentally.
- **Store idle power tools out of the reach of children and do not allow persons unfamiliar with the power tool or these instructions to operate the power tool.** Power tools are dangerous in the hands of untrained users.
- **Maintain power tools. Check for misalignment or binding of moving parts, breakage of parts and any other condition that may affect the power tool's operation. If damaged, have the power tool repaired before use.** Many accidents are caused by poorly maintained power tools.
- **Keep cutting tools sharp and clean.** Properly maintained cutting tools with sharp cutting edges are less likely to bind and are easier to control.
- **Use the power tool, accessories and tool bits etc. in accordance with these instructions, taking into account the working conditions and the work to be performed.** Use of the power tool for operations different from those intended could result in a hazardous situation.

#### 5) Battery tool use and care

- **Recharge only with the charger specified by the manufacturer.** A charger that is suitable for one type of battery pack may create a risk of fire when used with another battery pack.
- **Use power tools only with specifically designated battery packs.** Use of any other battery packs may create a risk of injury and fire.
- **When battery pack is not in use, keep it away from other metal objects, like paper clips, coins, keys, nails, screws or other small metal objects that can make a connection from one terminal to another.** Shorting the battery terminals together may cause burns or a fire.
- **Under abusive conditions, liquid may be ejected from the battery; avoid contact. If contact accidentally occurs, flush with water. If liquid contacts eyes, additionally seek medical help.** Liquid ejected from the battery may cause irritation or burns.
- **Do not use a battery pack or tool that is damaged or modified.** Damaged or modified batteries may exhibit unpredictable behaviour resulting in fire, explosion or risk of injury.
- **Do not expose a battery pack or tool to fire or excessive temperature.** Exposure to fire or temperature above 130 °C may cause explosion. NOTE The temperature „130 °C“ can be replaced by the temperature „265 °F“.
- **Follow all charging instructions and do not charge the battery pack or tool outside the temperature range specified in the instructions.** Charging improperly or at temperatures outside the specified range may damage the battery and increase the risk of fire.

## 6) Service

- **Have your power tool serviced by a qualified repair person using only identical replacement parts.** This will ensure that the safety of the power tool is maintained.
- **Never service damaged battery packs.** Service of battery packs should only be performed by the manufacturer or authorized service providers.

## SAFETY WARNINGS FOR RECIPROCATING SAWS

- **Hold power tool by insulated gripping surfaces, when performing an operation where the cutting accessory may contact hidden wiring.** Cutting accessory contacting a "live" wire may make exposed metal parts of the power tool "live" and could give the operator an electric shock.
- **Keep hands away from the sawing range.** Do not reach under the workpiece. Contact with the saw blade can lead to injuries.
- **Apply the machine to the workpiece only when switched on.** Otherwise there is danger of kickback when the cutting tool jams in the workpiece.
- **When sawing, the base plate must always face against the workpiece.** The saw blade can become wedged and lead to loss of control over the machine.
- **When the cut is completed, switch off the machine and then pull the saw blade out of the cut only after it has come to a standstill.** In this manner you can avoid kickback and can place down the machine securely.
- **Use only undamaged saw blades that are in perfect condition.** Bent or dull saw blades can break, negatively influence the cut, or lead to kickback.
- **Do not brake the saw blade to a stop by applying side pressure after switching off.** The saw blade can be damaged, break or cause kickback.
- **Use clamps or another practical way to secure and support the workpiece to a stable platform.** Holding the workpiece by hand or against your body leaves it unstable and may lead to loss of control.
- **Use appropriate detectors to determine if utility lines are hidden in the work area or call the local utility company for assistance.** Contact with electric lines can lead to fire and electric shock. Damaging a gas line can lead to explosion. Penetrating a water line causes property damage.
- **When working with the machine, always hold it firmly with both hands and provide for a secure stance.** The power tool is guided more secure with both hands.
- **Secure the workpiece.** A workpiece clamped with clamping devices or in a vice is held more secure than by hand.
- **Always wait until the machine has come to a complete stop before placing it down.** The tool insert can jam and lead to loss of control over the power tool.

## SAFETY WARNINGS FOR BATTERY

- **Do not open the battery.** Danger of shortcircuiting.
- **Protect the battery against heat, e. g., against continuous intense sunlight, fire, water, and moisture.** Danger of explosion.
- **In case of damage and improper use of the battery, vapours may be emitted. Ventilate the area and seek medical help in case of complaints.** The vapours can irritate the respiratory system.
- **Use the battery only in conjunction with your SnapFresh product.** This measure alone protects the battery against dangerous overload.
- **The battery can be damaged by pointed objects such as nails or screwdrivers or by force applied externally.** An internal short circuit can occur and the battery can burn, smoke, explode or overheat.

## SAFETY WARNINGS FOR CHARGER

### Intended use

Charge only BBT-DC20A and BBT-DC40A type rechargeable Battery packs with the charger. Other types of batteries may burst causing personal injury and damage.

- The appliance is not to be used by persons (including children) with reduced physical, sensory or mental capabilities, or lack of experience and knowledge, unless they have been given supervision or instruction.
- Children being supervised not to play with the appliance.
- Do not recharging non-rechargeable batteries!
- During charging, batteries must be placed in the well ventilated area!

### Electrical safety



Always check that the voltage of the power supply corresponds to the voltage on the rating plate.

- Do not use the machine if the mains cable or the mains plug is damaged.
- Only use extension cables that are suitable for the power rating of the machine with a minimum thickness of 1.5mm<sup>2</sup>. If you use a extension cable reel, always fully unroll the cable.



## MACHINE INFORMATION

### Intended use

The machine is intended for sawing wood, plastic and metal while keeping the baseplate resting firmly on the workpiece. It is suitable for straight and curved cuts. It is also possible to cut flush to the workpiece surface. A suitable saw blade must always be used.

### TECHNICAL SPECIFICATIONS

Model No.	BBT-JOL01
Rated voltage	20V
No load speed	0-3000/min
Saw stroke	22mm
Max. saw capacity wood	100mm
Max. saw capacity metal	10mm
Weight	1.57kg
Sound pressure level L <sub>PA</sub>	82.2 dB(A), K=3dB(A)
Sound power level L <sub>WA</sub>	93.2 dB(A), K=3dB(A)
Vibration 'sawing wooden beam'	16.844 m/s <sup>2</sup> K=1.5 m/s <sup>2</sup>
Vibration 'sawing plywood'	18.067 m/s <sup>2</sup> K=1.5 m/s <sup>2</sup>

Model Number	BBT-DC20A
Battery type	Lithium-ion
Voltage	20V 
Capacity	2.0 Ah
Recommended charger	BBT-YFT20V
Weight	0.3 kg
Model Number	BBT-YFT20V
Charger input	100-120V-60Hz 65W
Charger output	21V  2.5A
Charging time 2Ah battery	60 minutes
Charging time 4Ah battery	120 minutes
Recommended batteries	BBT-DC20A, BBT-DC40A
Weight	0.36 kg

Only use the following batteries of the SnapFresh power 20V battery platform. Using any other batteries could cause serious injury or damage the tool.

BBT-DC20A 20V, 2Ah Lithium-ion

BBT-DC40A 20V, 4Ah Lithium-ion

The following charger of the can be used to charge these batteries.

BBT-YFT20V Quick charger

The batteries of the SnapFresh power 20V battery platform are interchangeable with all the SnapFresh power 20V battery platform tools.

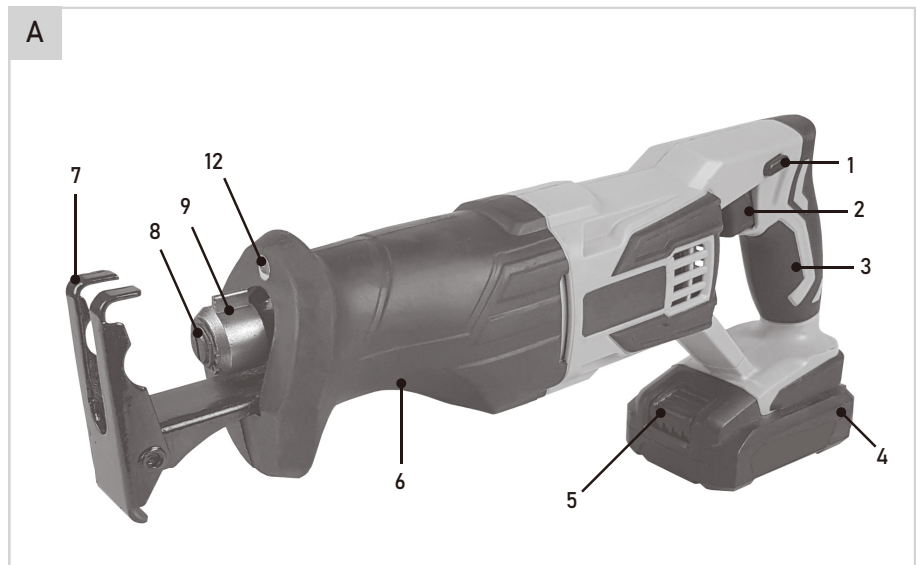
### Vibration level

The vibration emission level stated in this instruction manual has been measured. It may be used to compare one tool with another and as a preliminary assessment of exposure to vibration when using the tool for the applications mentioned.

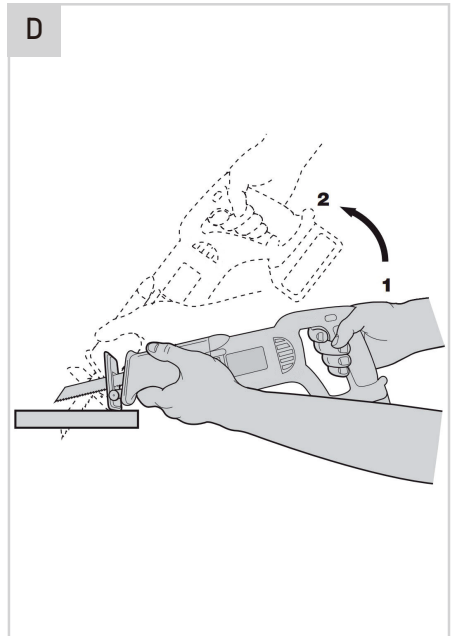
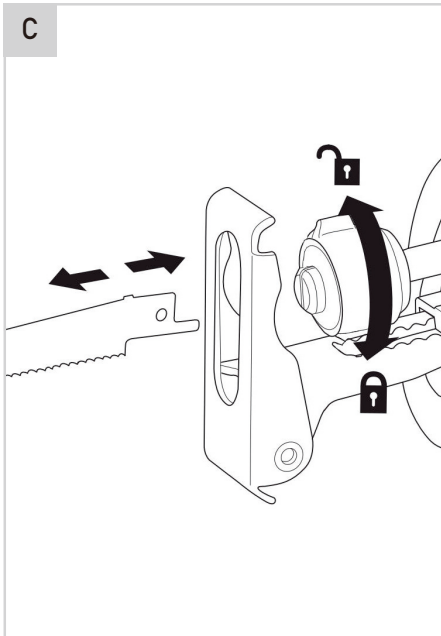
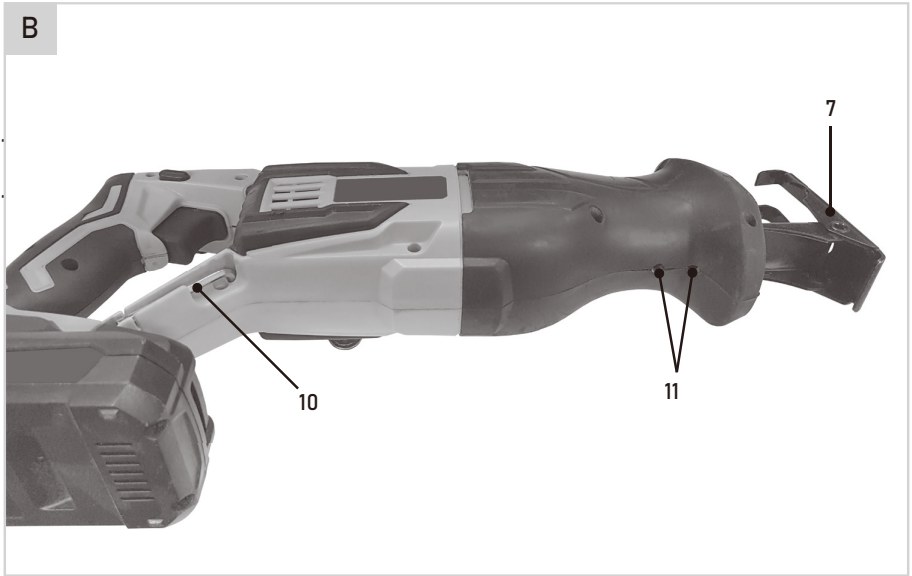
- Using the tool for different applications, or with different or poorly maintained accessories, may significantly increase the exposure level.
- The times when the tool is switched off or when it is running but not actually doing the job, may significantly reduce the exposure level.

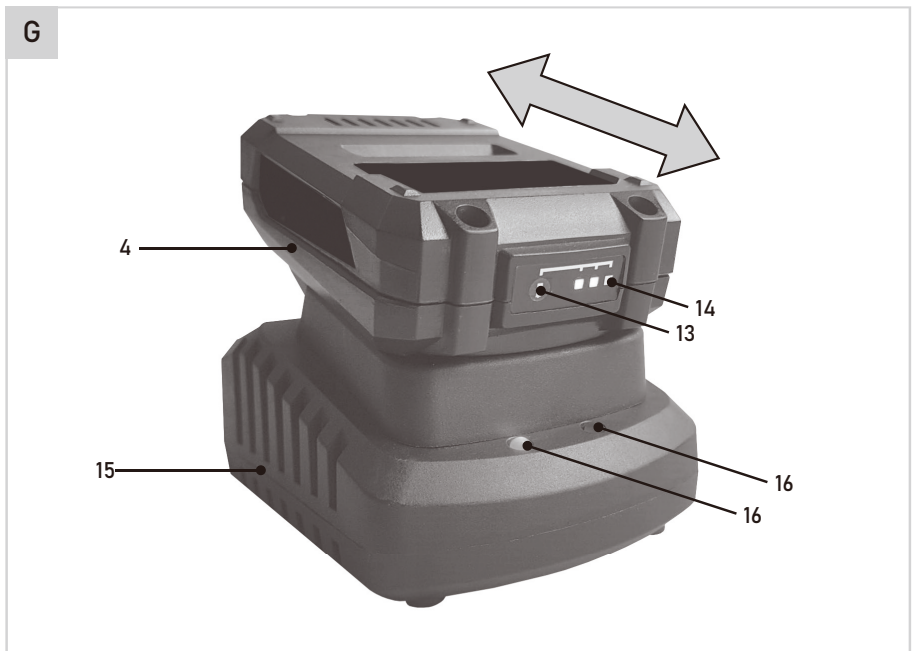
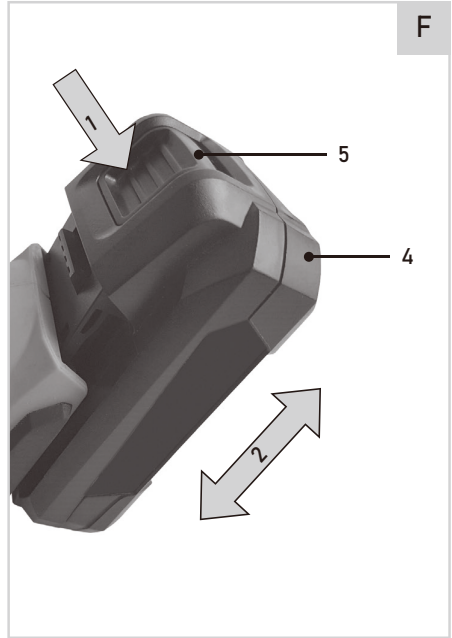
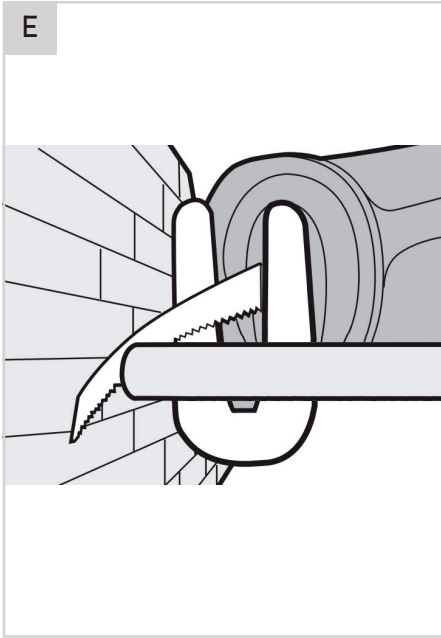
Protect yourself against the effects of vibration by maintaining the tool and its accessories, keeping your hands warm, and organizing your work patterns.

## ASSEMBLY











Before any work on the power tool, remove the battery.



The battery must be charged before first use.

## DESCRIPTION

The numbers in the text refer to the diagrams on page 8-10.

1. Lock-off button
2. On/Off button
3. Handle
4. Battery
5. Battery unlock button
6. Auxiliary handle
7. Baseplate
8. Chuck
9. Clamping lever
10. Hex key
11. Baseplate bolts
12. Worklight
13. Battery LED indicators button
14. Battery LED indicators
15. Charger
16. Charger LED indicators

### Inserting the battery into the machine (Fig. A, C)



Ensure that the exterior of the battery is clean and dry before connecting to the charger or machine.

- Insert the battery (4) into the base of the machine as shown in Fig. F.
- Push the battery further forward until it clicks into place.

### Removing the battery from the machine (Fig. A, F)

- Push the battery unlock button (5).
- Pull the battery out of the machine like shown in Fig. F.

### Checking the battery charging status (Fig. G)

- To check the battery charge status, push the button (13) on battery shortly.
- The battery has 3 lights indicating the charge level, the more lights that burn, the more charge the battery has left.
- When the lights are not burning it means the battery is empty and must be charged immediately.

### Charging the battery with the charger (Fig. G)

- Take the battery (4) from the machine.
- Turn the battery (4) to upside down position and slide it onto the charger (15) as shown in Fig. G.
- Push the battery until it is fully pushed into the slot.
- Plug the charger plug into an electrical outlet and wait for a while. The LED indicators on the charger (16) will lighten up and show the charger status.

The charger has 2 LED indicators (16) which indicate the status of the charging process:

Red LED Status	Green LED status	Charger status
Off	Off	No power
Off	On	Standby mode: - No battery is inserted or, - Battery inserted but charging has finished
On	Off	Battery charging in progress

- Fully charging the 2Ah battery may take up to 60 minutes.
- Fully charging the 4Ah battery may take up to 120 minutes.

After the battery is fully charged remove the charger plug from the outlet and remove the battery from the charger.



When the machine is not being used over a longer period of time it is best to store the battery in charged condition.

### Replacing the saw blade (Fig. A, C)



When mounting the saw blade, wear protective gloves. Danger of injury when touching the saw blade.



Only use saw blades that correspond with the characteristic data given in the operating instructions.

### Mounting the saw blade



Make sure the blade holder is free of material debris (such as splinters of wood or metal).

- Turn the clamping lever (9) as far to the left as possible and hold it in this position.
- Insert the saw blade in the chuck (8). Check that the saw blade is securely fixed and that the teeth are pointing downwards.
- Let go of the clamping lever. Check whether the saw blade is locked in place.

Make sure to use the right sawblade for the corresponding material. Included with the machine is a coarse sawblade for wood and a fine sawblade for metal and plastics.

### Removing the saw blade

- Turn the clamping lever (9) as far to the left as possible and hold it in this position.
- Remove the saw blade from the chuck (8).
- Let go of the clamping lever.

## OPERATION

### Switching the machine on/off (Fig. A)

The on/off switch (2) is used for activating the machine and adjusting speed.

- To start the machine, press and hold the lock-off button (1) and press the on/off switch (2).
- The further the on/off switch (2) is being pushed, the faster the blade will move. The required speed depends on the material and can be determined by practical testing.
- To stop the machine, release the on/off switch (2).

### Adjusting the base plate (Fig. B)

Due to its movability, the baseplate (7) angle adapts to the workpiece. Furthermore, the length of the baseplate can be adjusted depending on the required sawing depth.

- Loosen the baseplate bolts (11) using the hex key (10) provided.
- Adjust the baseplate (7).
- Tighten the baseplate bolts (11) using the hex key (10) provided. It is possible to store the hex key onto the machine, as shown on Fig. B.

### Plunge cutting (Fig. D)

Plunge cutting may only be used on soft materials such as wood, aerated concrete, gypsum plaster boards, etc. However, this requires a certain practise and is only possible with short saw blades.

- Place the saw onto the workpiece and switch it on.
- Ensure that the bottom edge of the footplate rests on the workpiece surface as shown.
- Slowly saw into the workpiece at an angle, moving the saw to a vertical position and continue to saw along the cutting line.
- Switch the saw off and lift off the workpiece when the work is complete.

### Flush cutting (Fig. E)

Elastic bi-metal saw blades allow you to saw protruding objects (e.g. water pipes, iron bars, etc.) nearby the wall.

- Apply the saw blade directly to the wall and bend slightly so that the footplate rests against the wall. Pay attention that the saw blade always extends beyond the diameter of the material being worked.
- Switch the machine on and saw off the workpiece keeping constant lateral pressure against the wall.

### Optimum use

- Adjust saw blade and stroke rate to suit the material to be processed. For right radius curves it is best to use a narrow saw blade. Apply coolant or lubricant to deal with the fluttering produced along the cut line when sawing metal.
- Check wood, chip boards, building materials etc. for hard materials (nails, screws etc.), before sawing and remove them, if necessary.
- Clamp material well. Do not support the workpiece with hand or foot. Do not touch objects or the floor with the saw running (danger of backlash).
- Put the footplate on the surface of the workpiece, and saw through it with constant contact pressure or feed. If the saw blade seizes switch the machine off immediately. Spread the gap with a suitable tool and pull out the saw blade.
- After finishing work, switch off the machine and only put down after it has come to a complete standstill.

## MAINTENANCE



Before cleaning and maintenance, always switch off the machine and remove the battery pack from the machine.

Clean the machine casings regularly with a soft cloth, preferably after each use. Make sure that the ventilation openings are free of dust and dirt. Remove very persistent dirt using a soft cloth moistened with soapsuds. Do not use any solvents such as gasoline, alcohol, ammonia, etc. Chemicals such as these will damage the synthetic components.

## ENVIRONMENT



Faulty and/or discarded electrical or electronic apparatus have to be collected at the appropriate recycling locations.


## WARRANTY

Ningbo Babytec Technology Co., Ltd (Hereinafter referred to as Babytec) warrants this product against defects in materials and/or workmanship under normal use for a period of ONE (1) YEAR from the date of purchase by the original purchaser ('Warranty Period').

**The following circumstances are excluded from this guarantee:**

- Repairs and or alterations have been made or attempted to the machine by unauthorized service centers;
- Normal wear and tear;
- The tool has been abused, misused or improperly maintained;
- Non-original spare parts have been used.

If a defect arises and a valid claim is received within the Warranty Period, at its option, Babytec will either 1) repair the defect at no charge, using new or refurbished replacement parts, or 2) replace the product with a new product that is at least functionally equivalent to the original product, or provide a store credit in the amount of the purchase price of the original product. A replacement product or part, including a part installed in accordance with instructions product by Babytec, assumes the remaining warranty of the original product. When a product or part is exchanged, any replacement item becomes your property and the replaced item becomes Babytec's property. When a store credit is given, the original product must be returned to Babytec and becomes Babytec's property. To obtain warranty service, e-mail Babytec Warranty Service at [support@snapfreshtools.com](mailto:support@snapfreshtools.com). Please be prepared to describe the product that needs service and the nature of the problem.

 +1 833 635 0955

(Monday - Friday 9 a.m. - 5 p.m. EST 6 a.m. - 2 p.m. PST)

