



User Manual

CORDLESS MULTI-TOOL
BBT-ZOY01



Please scan the QR CODE for more services.

+1 833 635 0955 support@snapfreshtools.com

⚠ Read all safety rules and instructions carefully before operating this tool.



CONTENTS

Contents	2
Symbols	3
Safety instructions	4-8
Machine information	8-9
Assembly	10-13
Operation	14
Maintenance	14
Environment	15
Warranty	15

SYMBOLS

The following symbols are used in the user manual or on the product:

	Read the user manual.		Indoor use only.
	Denotes risk of personal injury, loss of life or damage to the tool in case of non-observance of the instructions in this manual.		Class II machine - Double insulation - You don't need any earthed plug.
	Risk of electric shock.		Time-lag miniature fuse-link.
	Variable electronic speed.		Max temperature 45°C.
	Do not use in rain.		Do not throw the battery into fire.
	Risk of flying objects. Keep bystanders away from the work area.		Do not throw the battery into water.
	Wear safety goggles. Wear hearing protection.		Separate collection for Li-ion battery.
	Wear a dust mask.		Do not dispose of the product in unsuitable.
	The product is in accordance with the applicable safety standards in the European directives.		

SAFETY INSTRUCTIONS

Read the enclosed safety warnings, the additional safety warnings and the instructions. Failure to follow the safety warnings and the instructions may result in electric shock, fire and/or serious injury. Save the safety warnings and the instructions for future reference.

GENERAL POWER TOOL SAFETY WARNINGS



WARNING! Read all safety warnings and all instructions. Failure to follow the warnings and instructions may result in electric shock, fire and/or serious injury.

Save all warnings and instructions for future reference.

The term "power tool" in the warnings refers to your mains-operated (corded) power tool or battery-operated (cordless) power tool.

1) Work area safety

- **Keep the work area clean and well lit.** Cluttered or dark areas invite accidents.
- **Do not operate power tools in explosive atmospheres, such as in the presence of flammable liquids, gases or dust.** Power tools create sparks which may ignite the dust or fumes.
- **Keep children and bystanders away while operating a power tool.** Distractions can cause you to lose control.

2) Electrical safety

- **Power tool plugs must match the outlet. Never modify the plug in any way. Do not use any adapter plugs with earthed (grounded) power tools.** Unmodified plugs and matching outlets will reduce risk of electric shock.
- **Avoid body contact with earthed or grounded surfaces, such as pipes, radiators, ranges and refrigerators.** There is an increased risk of electric shock if your body is earthed or grounded.
- **Do not expose power tools to rain or wet conditions.** Water entering a power tool will increase the risk of electric shock.
- **Do not abuse the cord. Never use the cord for carrying, pulling or unplugging the power tool. Keep cord away from heat, oil, sharp edges or moving parts.** Damaged or entangled cords increase the risk of electric shock.
- **When operating a power tool outdoors, use an extension cord suitable for outdoor use.** Use of a cord suitable for outdoor use reduces the risk of electric shock.
- **If operating a power tool in a damp location is unavoidable, use a residual current device (RCD) protected supply.** Use a RCD to reduce the risk of electric shock.

3) Personal safety

- **Stay alert, watch what you are doing and use common sense when operating a power tool. Do not use a power tool while you are tired or under the influence of drugs, alcohol or medication.** A moment of inattention while operating power tools may result in serious personal injury.
- **Use personal protective equipment. Always wear eye protection.** Protective equipment such as dust mask, non-skid safety shoes, hard hat, or hearing protection used for appropriate conditions will reduce personal injuries.
- **Prevent unintentional starting. Ensure the switch is in the off-position before connecting to power source and/or battery pack, picking up or carrying the tool.** Carrying power tools with your finger on the switch or energizing power tools that have the switch on invites accidents.
- **Remove any adjusting key or wrench before turning the power tool on.** A wrench or a key left attached to a rotating part of the power tool may result in personal injury.
- **Do not overreach. Keep proper footing and balance at all times.** This enables better control of the power tool in unexpected situations.
- **Dress properly. Do not wear loose clothing or jewelry. Keep your hair, clothing and gloves away from moving parts.** Loose clothes, jewelry or long hair can be caught in moving parts.
- **If devices are provided for the connection of dust extraction and collection facilities, ensure these are connected and properly used.** Use of dust collection can reduce dust related hazards.
- **Do not let familiarity gained from frequent use of tools allow you to become complacent and ignore tool safety principles.** A careless action can cause severe injury within a fraction of a second.

4) Power tool use and care

- **Do not force the power tool. Use the correct power tool for your application.** The correct power tool will do the job better and safer at the rate for which it was designed.
- **Do not use the power tool if the switch does not turn it on and off.** Any power tool that cannot be controlled with the switch is dangerous and must be repaired.
- **Disconnect the plug from the power source and/or the battery pack from the power tool before making any adjustments, changing accessories, or storing power tools.** Such preventive safety measures reduce the risk of starting the power tool accidentally.
- **Store idle power tools out of the reach of children and do not allow persons unfamiliar with the power tool or these instructions to operate the power tool.** Power tools are dangerous in the hands of untrained users.
- **Maintain power tools. Check for misalignment or binding of moving parts, breakage of parts and any other condition that may affect the power tool's operation. If damaged, have the power tool repaired before use.** Many accidents are caused by poorly maintained power tools.
- **Keep cutting tools sharp and clean.** Properly maintained cutting tools with sharp cutting edges are less likely to bind and are easier to control.
- **Use the power tool, accessories and tool bits etc. in accordance with these instructions, taking into account the working conditions and the work to be performed.** Use of the power tool for operations different from those intended could result in a hazardous situation.
- **Keep handles and grasping surfaces dry, clean and free from oil and grease.** Slippery handles and grasping surfaces do not allow for safe handling and control of the tool in unexpected situations.

5) Battery tool use and care

- **Recharge only with the charger specified by the manufacturer.** A charger that is suitable for one type of battery pack may create a risk of fire when used with another battery pack.
- **Use power tools only with specifically designated battery packs.** Use of any other battery packs may create a risk of injury and fire.
- **When the battery pack is not in use, keep it away from other metal objects, like paper clips, coins, keys, nails, screws or other small metal objects that can make a connection from one terminal to another.** Shorting the battery terminals together may cause burns or a fire.
- **Under abusive conditions, liquid may be ejected from the battery; avoid contact. If contact accidentally occurs, flush with water. If liquid contacts eyes, additionally seek medical help.** Liquid ejected from the battery may cause irritation or burns.
- **Do not use a battery pack or tool that is damaged or modified.** Damaged or modified batteries may exhibit unpredictable behaviour resulting in fire, explosion or risk of injury.
- **Do not expose a battery pack or tool to fire or excessive temperature.** Exposure to fire or temperature above 130 °C may cause explosion. NOTE The temperature „130 °C“ can be replaced by the temperature „265 °F“.
- **Follow all charging instructions and do not charge the battery pack or tool outside the temperature range specified in the instructions.** Charging improperly or at temperatures outside the specified range may damage the battery and increase the risk of fire.

6) Service

- **Have your power tool serviced by a qualified repair person using only identical replacement parts.** This will ensure that the safety of the power tool is maintained.
- **Never service damaged battery packs.** Service of battery packs should only be performed by the manufacturer or authorized service providers.

ADDITIONAL SAFETY WARNINGS FOR CORDLESS MULTI-TOOL



Contact with or inhalation of dust coming free during use (e.g. lead-painted surfaces, wood and metal) can endanger your health and the health of bystanders. Always wear appropriate protective equipment, such as a dust mask. Always use proper dust extraction during use.

- **Do not work materials containing asbestos.** Asbestos is considered carcinogenic.
- **Do not work metal with a magnesium content of more than 80%.**
- **Be very careful when working painted surfaces.**
- **Do not use accessories which are not specifically designed and recommended by the manufacturer.** Risk of personal injury.
- **Inspect the machine and the accessories before each use.** Do not use accessories which are bent, cracked, or otherwise damaged. If the machine or one of the accessories is dropped, inspect the machine or the accessory for damage. If necessary, replace the accessory.
- **Only use accessories that are recommended by the manufacturer.**
- **Only use accessories that are suitable for the application.**

- Only use accessories with the correct dimensions.
- Do not use accessories that require liquid coolants. Risk of electric shock.
- Make sure that the accessories are properly mounted. Do not use adapters or other aids to mount accessories with another spindle diameter.
- Make sure that the maximum speed for the accessory is larger than or the same as the maximum speed of the machine. Refer to the rating plate on the machine.
- Let the machine run at no load in a safe area after mounting the accessories. If the machine vibrates strongly, immediately switch off the machine, remove the mains plug from the mains, and try to solve the problem.
- Make sure that the workpiece is properly supported or fixed.
- Wear safety goggles. Wear hearing protection. Wear a dust mask. If necessary, use other protective means, such as safety gloves, safety shoes, etc. Risk of personal injury.
- Keep bystanders away from the work area. Make sure that all persons in the work area wear protective equipment. Risk of personal injury.
- Keep the mains cable away from the rotating accessory. If the mains cable touches the rotating accessory, your hands or arms may come in contact with the accessory. Risk of personal injury.
- Hold the machine by the insulated gripping surfaces where the accessory may contact hidden wiring or the mains cable. If the accessory contacts a 'live' wire, the exposed metal parts of the machine can also become 'live'. Risk of electric shock.
- Do not use the machine while carrying it at your side. Risk of personal injury.
- Do not use the machine near flammable materials. Risk of fire.
- Beware that the accessory continues to rotate for a short period after switching off the machine. Do not attempt to bring the accessory to a standstill yourself.
- Never put the machine down on a table or a workbench before it has been switched off.
- Regularly clean the ventilation slots. Risk of electric shock.

SAFETY WARNINGS FOR BATTERY

- Do not open the battery. Danger of shortcircuiting.
- Protect the battery against heat, e. g., against continuous intense sunlight, fire, water, and moisture. Danger of explosion.
- In case of damage and improper use of the battery, vapors may be emitted. Ventilate the area and seek medical help in case of complaints. The vapors can irritate the respiratory system.
- Use the battery only in conjunction with your SnapFresh product. This measure alone protects the battery against dangerous overload.
- The battery can be damaged by pointed objects such as nails or screwdrivers or by force applied externally. An internal short circuit can occur and the battery can burn, smoke, explode or overheat.

SAFETY WARNINGS FOR CHARGER

Intended use

Charge only BBT-DC20A and BBT-DC40A type rechargeable Battery packs with the charger. Other types of batteries may burst to cause personal injury and damage.

- The appliance is not to be used by persons (including children) with reduced physical, sensory or mental capabilities, or lack of experience and knowledge, unless they have been given supervision or instruction.
- Children being supervised not to play with the appliance.
- Do not recharge non-rechargeable batteries!
- During charging, batteries must be placed in the well ventilated area!

Electrical safety



Always check that the voltage of the power supply corresponds to the voltage on the rating plate.



- Do not use the machine if the mains cable or the mains plug is damaged.
- Only use extension cables that are suitable for the power rating of the machine with a minimum thickness of 1.5mm². If you use an extension cable reel, always fully unroll the cable.

MACHINE INFORMATION

Intended use

Your cordless multi-tool has been designed for light sanding, sawing and scraping applications.

TECHNICAL SPECIFICATIONS

Model No.	BBT-ZOY01	Model Number	BBT-DC20A
Rated voltage	20V	Battery type	Lithium-ion
No load speed	5000-18000/min	Voltage	20V 
Vibration (sawing in steel)	4.657 m/s ²	Capacity	2.0 Ah
Uncertainty (K)	1.5 m/s ²	Recommended charger	BBT-YFT20V
Weight	0.96 kg	Weight	0.3 kg
Sound pressure (Lpa)	81.8 dB(A)	Model Number	BBT-YFT20V
Acoustic power (Lwa)	92.8 dB(A)	Charger input	100-120V~60Hz 65W
Uncertainty (K)	3 dB(A)	Charger output	21V  2.5A
		Charging time 2Ah battery	60 minutes
		Charging time 4Ah battery	120 minutes
		Recommended batteries	BBT-DC20A, BBT-DC40A
		Weight	0.36 kg



Wear hearing protection.

Only use the following batteries of the SnapFresh power 20V battery platform. Using any other batteries could cause serious injury or damage to the tool.

BBT-DC20A 20V, 2Ah Lithium-ion

BBT-DC40A 20V, 4Ah Lithium-ion

The following charger of the can be used to charge these batteries.

BBT-YFT20V Quick charger

The batteries of the SnapFresh power 20V battery platform are interchangeable with all the SnapFresh power 20V battery platform tools.

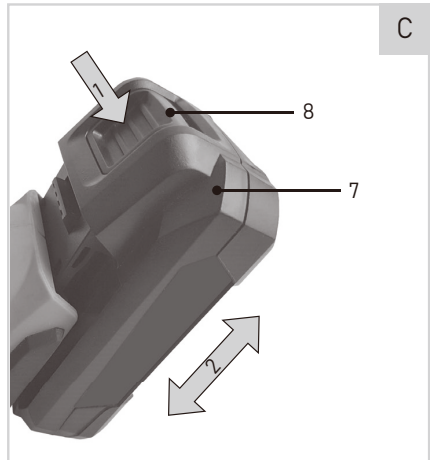
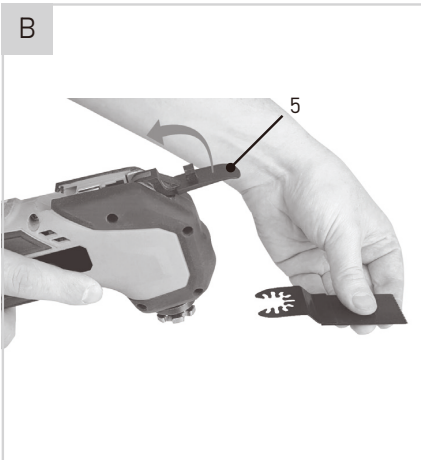
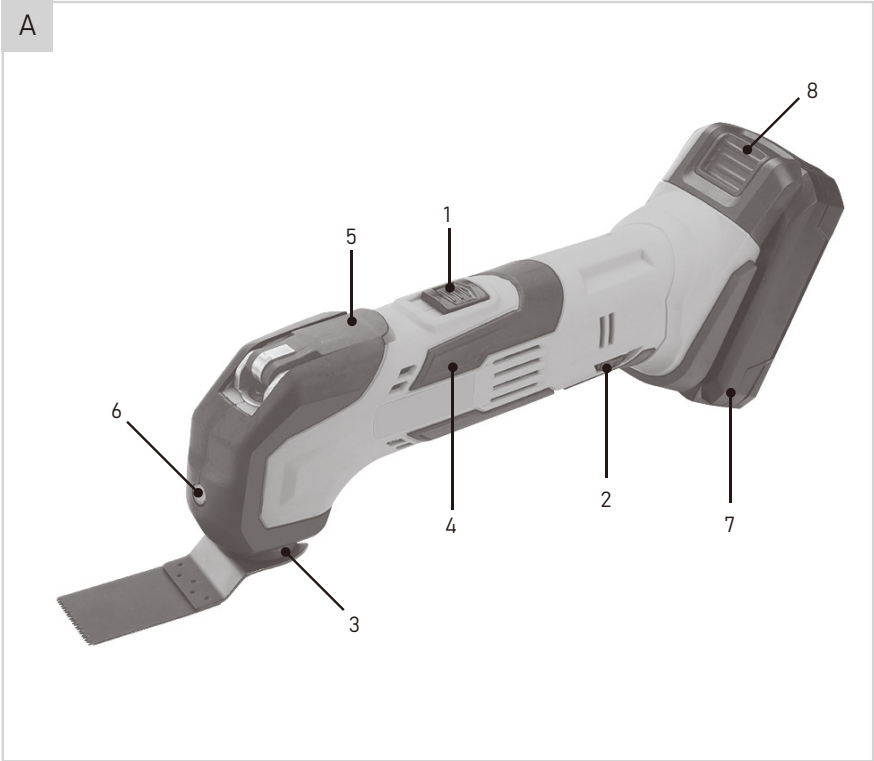
Vibration level

The vibration emission level stated in this instruction manual has been measured. It may be used to compare one tool with another and as a preliminary assessment of exposure to vibration when using the tool for the applications mentioned.

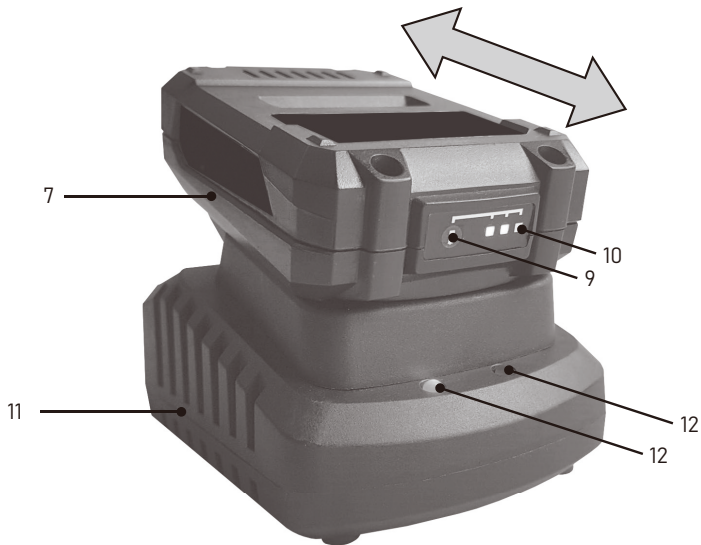
- **Using the tool for different applications, or with different or poorly maintained accessories,** may significantly increase the exposure level.
- **The times when the tool is switched off or when it is running but not actually doing the job,** may significantly reduce the exposure level.

Protect yourself against the effects of vibration by maintaining the tool and its accessories, keeping your hands warm, and organizing your work patterns.

ASSEMBLY



D



Before any work on the power tool, remove the battery.



The battery must be charged before first use.

DESCRIPTION

The numbers in the text refer to the diagrams on page 10-11.

- | | |
|-----------------------------------|----------------------------------|
| 1. On/off switch | 7. Battery |
| 2. Speed adjustment wheel | 8. Battery unlock button |
| 3. Mounting point for accessories | 9. Battery LED indicators button |
| 4. Grip | 10. Battery LED indicators |
| 5. Quick change lever | 11. Charger |
| 6. Work light | 12. Charger LED indicators |

Inserting the battery into the machine (Fig. C)



Ensure that the exterior of the battery is clean and dry before connecting to the charger or machine.

- Insert the battery (7) into the base of the machine as shown in Fig. C.
- Push the battery further forward until it clicks into place.

Removing the battery from the machine (Fig. C)

- Push the battery unlock button (8).
- Pull the battery out of the machine as shown in Fig. C.

Checking the battery charging status (Fig. D)

- To check the battery charge status, push the button (9) on battery shortly.
- The battery has 3 lights indicating the charge level, the more lights that burn, the more charge the battery has left.
- When the lights are not burning it means the battery is empty and must be charged immediately.

Charging the battery with the charger (Fig. D)

- Take the battery (7) off from the machine.
- Turn the battery (7) to upside down position and slide it onto the charger (11) as shown in Fig. D.
- Push the battery until it is fully pushed into the slot.
- Plug the charger plug into an electrical outlet and wait for a while. The LED indicators on the charger (12) will lighten up and show the charger status.

The charger has 2 LED indicators (12) which indicate the status of the charging process:

Red LED Status	Green LED status	Charger status
Off	Off	No power
Off	On	Standby mode: - No battery is inserted or, - Battery inserted but charging has finished
On	Off	Battery charging in progress

- Fully charging the 2Ah battery may take up to 60 minutes.
- Fully charging the 4Ah battery may take up to 120 minutes.

After the battery is fully charged remove the charger plug from the outlet and remove the battery from the charger.



When the machine is not being used over a longer period of time it is best to store the battery in charged condition.

Removing and mounting accessories (fig. B)



Worn or damaged accessories must be replaced immediately.



Only use sharp and undamaged accessories.

- Release the quick change lever (5) and slide the accessory forward to remove from the holder.
- Slide the accessory in the holder and fasten the quick change lever (5).

The sanding pad and the sanding paper must be used for sanding applications.

OPERATION

Switching on and off (fig. A)

- To switch on the machine, slide the on/off switch (1) to the front.
- To switch off the machine, slide the on/off switch (1) to the rear.

Setting the speed (fig. A)

The speed adjustment wheel is used for setting the speed. The speed adjustment wheel can be set to 6 positions. The ideal speed depends on the application and on the material to be worked.



Do not set the speed during use.

- Turn the speed adjustment wheel (2) to the required position.

Hints for optimum use

- Clamp the workpiece. Use a clamping device for small workpieces.
- Draw a line to define the direction in which to guide the accessory.
- Firmly hold the machine by the grip.
- Switch on the machine.
- Wait until the machine has reached full speed.
- Place the accessory on the workpiece.
- Slowly move the machine along the pre-drawn line, firmly pressing the accessory against the workpiece.
- Do not apply too much pressure on the machine. Let the machine do the work.
- Switch off the machine and wait for the machine to come to a complete standstill before putting the machine down.

MAINTENANCE



Before cleaning and maintenance, always switch off the machine and remove the battery pack from the machine.

Clean the machine casings regularly with a soft cloth, preferably after each use. Make sure that the ventilation openings are free of dust and dirt. Remove very persistent dirt using a soft cloth moistened with soapsuds. Do not use any solvents such as gasoline, alcohol, ammonia, etc. Chemicals such as these will damage the synthetic components.

ENVIRONMENT



Faulty and/or discarded electrical or electronic apparatus have to be collected at the appropriate recycling locations.

WARRANTY

Ningbo Babytec Technology Co., Ltd (Hereinafter referred to as Babytec) warrants this product against defects in materials and/or workmanship under normal use for a period of ONE (1) YEAR from the date of purchase by the original purchaser ('Warranty Period').

The following circumstances are excluded from this guarantee:

- Repairs and or alterations have been made or attempted to the machine by unauthorized service centers;
- Normal wear and tear;
- The tool has been abused, misused or improperly maintained;
- Non-original spare parts have been used.

If a defect arises and a valid claim is received within the Warranty Period, at its option, Babytec will either 1) repair the defect at no charge, using new or refurbished replacement parts, or 2) replace the product with a new product that is at least functionally equivalent to the original product, or provide a store credit in the amount of the purchase price of the original product. A replacement product or part, including a part installed in accordance with instructions product by Babytec, assumes the remaining warranty of the original product. When a product or part is exchanged, any replacement item becomes your property and the replaced item becomes Babytec's property. When a store credit is given, the original product must be returned to Babytec and becomes Babytec's property. To obtain warranty service, e-mail Babytec Warranty Service at support@snap-freshtools.com. Please be prepared to describe the product that needs service and the nature of the problem.



+1 833 635 0955

(Monday - Friday 9 a.m. - 5 p.m. EST 6 a.m. - 2 p.m. PST)

