




User Manual

20V CORDLESS STRING TRIMMER
BBT-ZE20ST



 +1 833 635 0955  snapfresh@afterservice.vip

 Read all safety rules and instructions carefully before operating this tool.





CONTENTS

Contents	2
Symbols	3
Safety warnings	4-8
Machine information	9
Assembly	10-16
Battery	16-17
Troubleshooting	18
Maintenance	18
Warranty	19

SYMBOLS



The following symbols are used in the user manual or on the product:

	Observe caution and safety notes.		Dispose of packaging and appliance in an environmentally friendly way!
	Caution - electric shock! Danger to life.		Read the user manual.
n_0	No-load speed.		The cutting diameter is 300mm.
$V \sim$	AC Voltage.		Guaranteed sound power level 93dB.
	Wear hearing protection, dust protection mask, protective glasses and protective gloves, heavy footwear.		Charge and store only at temperatures between 3° C and 40° C. Do not throw it into the water. Charge the battery fully before storage.
	Keep children away from electrical power tools.		Protect the battery from temperatures above 50° C.
	Check that the device, mains lead and plug are in good condition.		Protect the battery from water and moisture.
	Safety class II.		Protect the battery from heat and fire.

SAFETY WARNINGS

GENERAL POWER TOOL SAFETY WARNINGS



WARNING! Read all safety warnings and all instructions. Failure to follow the warnings and instructions may result in electric shock, fire or serious injury.

Save all warnings and instructions for future reference.

The term “power tool” in the warnings refers to your mains-operated (corded) power tool or battery-operated (cordless) power tool.

1) Work area safety

- Keep the work area clean and well lit. Cluttered or dark areas invite accidents.
- Do not operate power tools in explosive atmospheres, such as in the presence of flammable liquids, gases or dust. Power tools create sparks which may ignite the dust or fumes.
- Keep children and bystanders away while operating a power tool. Distractions can cause you to lose control.

2) Electrical safety

- Power tool plugs must match the outlet. Never modify the plug in any way. Do not use any adapter plugs with earthed (grounded) power tools. Unmodified plugs and matching outlets will reduce the risk of electric shock.
- Avoid body contact with earthed or grounded surfaces, such as pipes, radiators, ranges and refrigerators. There is an increased risk of electric shock if your body is earthed or grounded.
- Do not expose power tools to rain or wet conditions. Water entering a power tool will increase the risk of electric shock.
- Do not abuse the cord. Never use the cord for carrying, pulling or unplugging the power tool. Keep cord away from heat, oil, sharp edges or moving parts. Damaged or entangled cords increase the risk of electric shock.
- When operating a power tool outdoors, use an extension cord suitable for outdoor use. Use of a cord suitable for outdoor use reduces the risk of electric shock.
- If operating a power tool in a damp location is unavoidable, use a residual current device (RCD) protected supply. The use of an RCD reduces the risk of electric shock.

3) Personal safety

- Stay alert, watch what you are doing and use common sense when operating a power tool. Do not use a power tool while you are tired or under the influence of drugs, alcohol or medication. A moment of inattention while operating power tools may result in serious personal injury.
- Use personal protective equipment. Always wear eye protection. Protective equipment such as dust mask, non-skid safety shoes, hard hat, or hearing protection used for appropriate conditions will reduce personal injuries.
- Prevent unintentional starting. Ensure the switch is in the off-position before connecting to power source or battery pack, picking up or carrying the tool. Carrying power tools with your finger on the switch or energizing power tools that have the switch on invites accidents.
- Remove any adjusting key or wrench before turning the power tool on. A wrench or a key left attached to a rotating part of the power tool may result in personal injury.
- Do not overreach. Keep proper footing and balance at all times. This enables better control of the power tool in unexpected situations.
- Dress properly. Do not wear loose clothing or jewelry. Keep your hair, clothing and gloves away from moving parts. Loose clothes, The jewelry or long hair can be caught in moving parts.
- If devices are provided for the connection of dust extraction and collection facilities, ensure these are connected and properly used. The use of dust-collection can reduce dust, related hazards.

4) Power tool use and care

- Do not force the power tool. Use the correct power tool for your application. The correct power tool will do the job better and safer at the rate for which it was designed.
- Do not use the power tool if the switch does not turn it on and off. Any power tool that cannot be controlled with the switch is dangerous and must be repaired.
- Disconnect the plug from the power source and/or the battery pack from the power tool before making any adjustments, changing accessories, or storing power tools. Such preventive safety measures reduce the risk of starting the power tool accidentally.
- Store idle power tools out of the reach of children and do not allow persons unfamiliar with the power tool or these instructions to operate the power tool. Power tools are dangerous in the hands of untrained users.
- Maintain power tools. Check for misalignment or binding of moving parts, breakage of parts and any other condition that may affect the power tool's operation. If damaged, have the power tool repaired before use. Many accidents are caused by poorly maintained power tools.
- Keep cutting tools sharp and clean. Properly maintained cutting tools with sharp cutting edges are less likely to bind and are easier to control.
- The use of the power tool, accessories and tool bits, etc. in accordance with these instructions, taking into account the working conditions and the work to be performed. Use of the power tool for operations different from those intended could result in a hazardous situation.

5) Battery tool use and care

- Recharge only with the charger specified by the manufacturer. A charger that is suitable for one type of battery pack may create a risk of fire when used with another battery pack.
- Only use power tools with specifically designated battery packs. Use of any other battery packs may create a risk of injury and fire.
- When the battery pack is not in use, keep it away from other metal objects, like paper clips, coins, keys, nails, screws or other small metal objects that can make a connection from one terminal to another. Shorting the battery terminals together may cause burns or a fire.
- Under abusive conditions, liquid may be ejected from the battery; avoid contact. If contact accidentally occurs, flush with water. If liquid contacts eyes, additionally seek medical help. Liquid ejected from the battery may cause irritation or burns.
- Do not use a battery pack or tool that is damaged or modified. Damaged or modified batteries may exhibit unpredictable behaviour resulting in fire, explosion or risk of injury.
- Do not expose a battery pack or tool to fire or excessive temperature. Exposure to fire or temperature above 130 °C may cause explosion. NOTE The temperature „130 °C“ can be replaced by the temperature „265 °F“.
- Follow all charging instructions and do not charge the battery pack or tool outside the temperature range specified in the instructions. Charging improperly or at temperatures outside the specified range may damage the battery and increase the risk of fire.

6) Service

- Have your power tool serviced by a qualified repair person using only identical replacement parts. This will ensure that the safety of the power tool is maintained.
- Never service damaged battery packs. Service of battery packs should only be performed by the manufacturer or authorized service providers.

SAFETY WARNINGS FOR STRING TRIMMER OPERATIONS



Read all safety warnings and all instructions. Failure to follow the warnings and instructions may result in electric shock, fire or serious injury.



WARNING!

- Improper handling of the string trimmer can lead to injury.
- Check the string trimmer before use for any damage.
- Never use the string trimmer with damaged or missing protective cover. Note that after you switch off the string trimmer, the cutting head and string continue rotating for a few seconds. after a few seconds. Wait until the cutter stops completely before you transport, maintain or store the string trimmer.

- Keep all parts of the body away from the string. Do not remove cut material or hold material to be cut when string are moving. Make sure the switch is off when clearing jammed material. A moment of inattention while operating the string trimmer may result in serious personal injury.
- Carry the string trimmer by the handles, with the string stopped. Proper handling of the string trimmer will reduce possible personal injury from the cutter string.

NOTE! - Risk of damage!

- Do not expose to rain. Do not cut wet grass.
- Improper handling of the string trimmer can lead to damage to the string trimmer.
- Do not attempt to cut hard objects.
- Use the edging guide to avoid unnecessary wear on the cutter head and tool.

BATTERY PACK AND CHARGER SAFETY INSTRUCTIONS



If under extreme conditions any electrolyte should escape from the battery, it's essential to avoid contact with skin. If electrolyte does come into contact with your skin, rinse it off with water. In the event of electrolyte contact with your eyes, it's essential to consult a doctor.

- Before the use of the charger and the battery pack, read the instruction manual for it carefully.
- During the charging process, the current used should correspond to the current of the battery charger.
- Never let moisture, rain or splashed water reach the charging location. The ambient temperature must not be less than 0°C nor exceed 40°C when charging. Do not use or store string trimmer or batteries in temperatures in excess of 49°C.
- Battery packs which are defective or damaged, or can no longer be re-charged, must be disposed of as hazardous waste. Hand them over at a special collection point. Never harm our environment. Do not throw unusable battery packs away into the domestic waste, into fire or into water.
- If the electrical cable is damaged, it may only be replaced by the supplier or by his repair workshop. Have repairs carried out only by an authorized specialist only.
- Use only battery packs that have been produced by the original manufacturer. Use only the charger supplied with your string trimmer.
- Always keep the surface of the charger free from dust and dirt.
- Insert the battery pack into the charger. Follow the guidelines provided concerning polarity.
- Always remove the battery pack before working on the string trimmer.
- When the battery pack is outside the string trimmer, cover the contacts to avoid short circuits (e.g. from tools or metal surfaces)
- Do not throw battery packs into water or fire, risk of explosion!

- Protect the battery pack from impacts, and don't attempt to open it.
- Never discharge the battery pack completely, and recharge occasionally if not used for a prolonged period.



Charge only BBT-DC20A and BBT-DC40A type rechargeable battery packs with the charger. Other types of batteries may burst causing personal injury and damage.

It is recommended that the charger is always supplied via a residual current device with a rated current of 30mA or less.



Wear hearing protection while operating the power tool.



Wear eye protection while operating the power tool.





Use a dust mask or respirator for applications that generate dust.



Wear foot protection while operating the power tool.

MACHINE INFORMATION

Technical Specifications

Model No.	BBT- ZE20ST	Model Number	BBT-DC20A
Rated voltage	20V	Battery type	Lithium-ion
No load speed	7800 rpm	Voltage	20V 
Cutting Head	Auto Feed	Capacity	2.0 Ah
Cutting Line Diameter	1.6mm	Recommended charger	BBT-YFT20V
Cutting Swath Diameter	300mm/12inch	Weight	0.3 kg
		Model Number	BBT-YFT20V
		Charger input	100-120V~60Hz 65W
		Charger output	21V  2.5A
		Charging time 2Ah battery	60 minutes
		Charging time 4Ah battery	120 minutes
		Recommended batteries	BBT-DC20A, BBT-DC40A
		Weight	0.36 kg

Only use the following batteries of the SnapFresh power 20V battery platform. Using any other batteries could cause serious injury or damage the tool.

BBT-DC20A 20V, 2Ah Lithium-ion

BBT-DC40A 20V, 4Ah Lithium-ion

The following charger can be used to charge these batteries.

BBT-YFT20V Quick charger

The batteries of the SnapFresh power 20V battery platform are interchangeable with all the SnapFresh power 20V battery platform tools.

ASSEMBLY

Assembly Safety



CAUTION - This guide is meant to serve as a quick reference for operating your SNAPFRESH machine. We always advise reading the manual in full before operation.



NOTE - Images may vary depending on model.



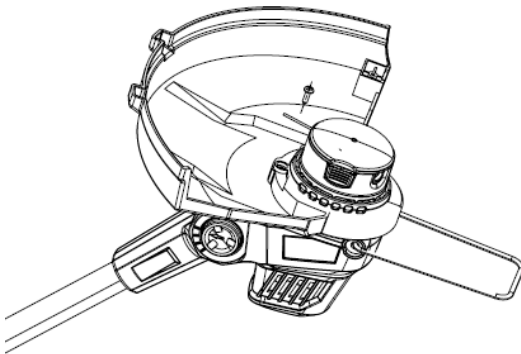
NOTE - The machine can be supplied with some parts already assembled. Prior to assembly, check all items have been received.



WARNING - Remove the battery pack before cleaning or maintaining the tool, fitting the guard or before making any adjustments to the tool, especially around the string head. Remove the battery pack before transporting or storing the tool.

Step 1 : Fitting The Guard

- 1) The guard is an essential part of the tool and ALWAYS must be used. Otherwise damage to the trimmer and injury to the operator may occur. The guard is not fitted to the trimmer when it is delivered to you to avoid damage in transit.
- 2) To fit the guard, align the opening in the guard with the underside of the trimmer head as shown. Tighten the screw to fix the guard in place.

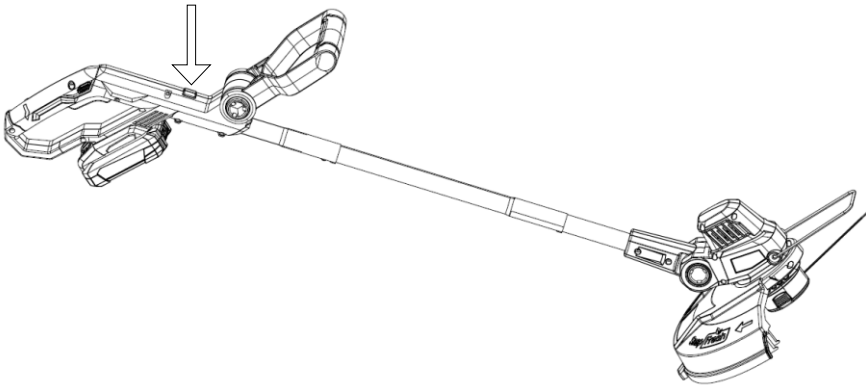


Step 2 : Shaft Assembly

- 1) Insert the lower tube into the upper tube.



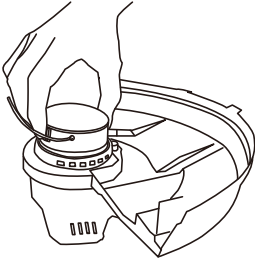
- 2) Rotate the sheath and tighten it to the edging mode or trimming mode by pressing the unlock button



Trimmer Line

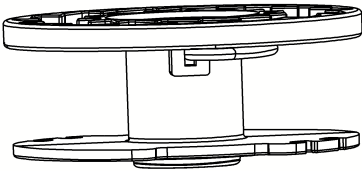
Rewinding The Spool

- The spool is supplied with the line pre-wound. The twisted line is 1.65mm (0.065") in diameter, which gives good cutting performance and reduced noise. Follow the instructions below to rewind new line onto the spool.
- To remove the spool, press and hold the shaft lock button, then it can be easily removed.



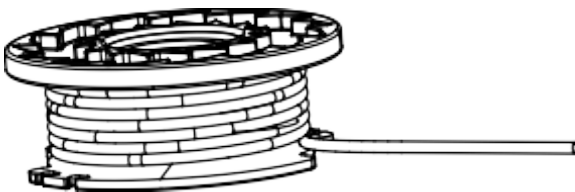
Step 1

Cut a piece of nylon line 1.65mm (0.065") in diameter maximum 4m long (you may find it easier to practice with a shorter line length at first). Find the centre of the line and loop it onto the notch in the centre flange of the spool. Wind the line around the spool, in the direction indicated by the arrow on the spool, keeping each end of the line in its own channel. Keep the line tight as you wind so that the line coils smoothly onto the spool.



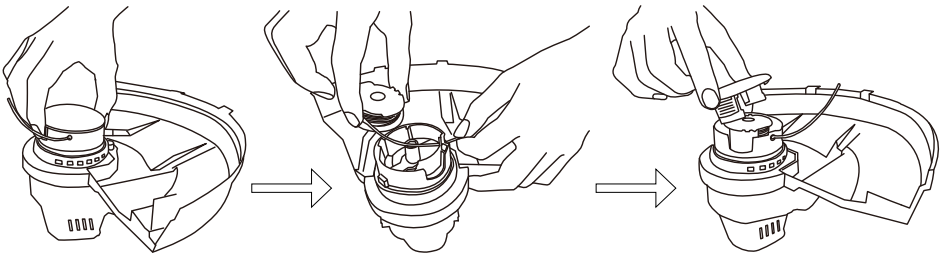
Step 2

Wrap the line around the spool leaving about 20cm line exposed on each side.



Step 3

- Keep the line tight and clip the lines into the notches in the bottom flange of the spool to hold the line in place while you fit the spool into the housing. Please place the side with gears facing down.
- Then put the spool into the housing leaving the end of the line protruding from the cut out.
- Position the cover in place as shown and press the cover onto the housing until the clips snap into place.



Fitting / Removing Battery

Fitting And Removal Of Battery



DANGER - Before operating this tool, ensure that the guard is fitted to the head of the machine. Never use the machine without the guard.



DANGER - The battery should always be removed whenever you are not using the tool and especially when you are adjusting or transporting the tool to avoid accidental operation.

Fitting Battery

To insert the battery, slide it into the battery cradle on the top of the line trimmer, aligning the ribs in the cradle with the slots in the battery until it latches into place. Check that the battery is securely locked into place.

Removing Battery

To remove the battery, press and hold the latch on the rear of the battery pack and slide the battery away from the trimmer.



NOTE - The battery is not fully charged at the time of purchase. Before using the grass trimmer for the first time, you must charge the battery.

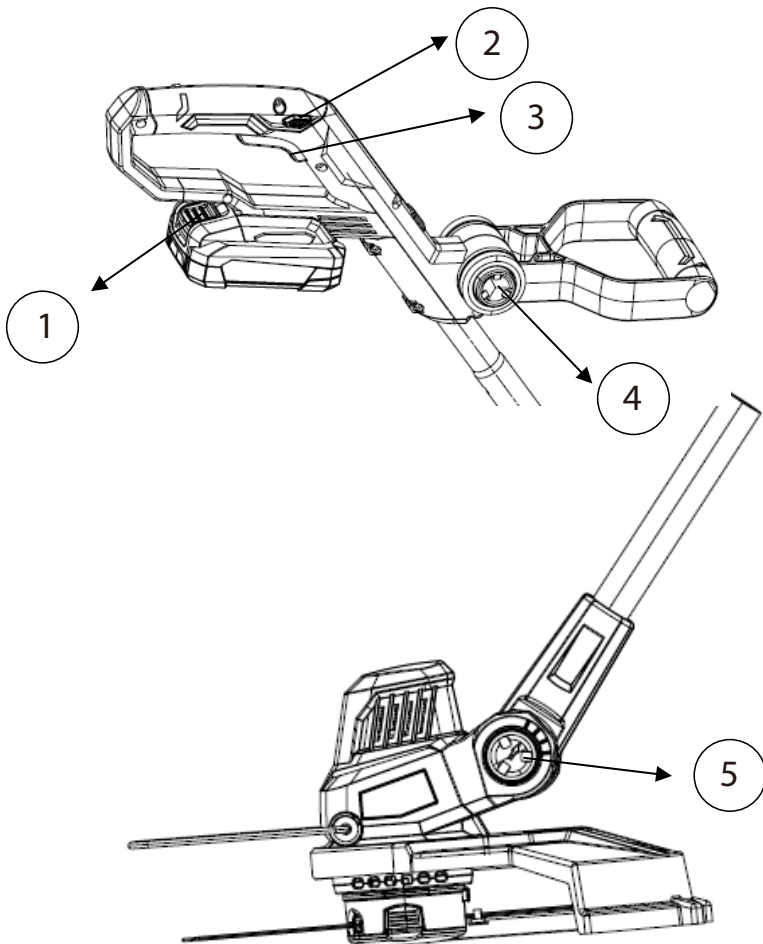
Starting / Stopping

Switching On

To switch the trimmer on, press and hold the safety switch (2) and hold the trigger switch (3) on the handle.

Switching Off

To switch the trimmer off, release the trigger switch (3). Be aware that the spool will continue to rotate for a short while.



Using The Grass Trimmer

Adjusting The Line Length

During use, the line will become worn, or may break off if it strikes a stone or a similar hard object. If the cutting line requires more feeding, please restart the trimmer. The line will automatically feed when the trimmer is being restarted. Excess line will be cut off by the cutting blade.

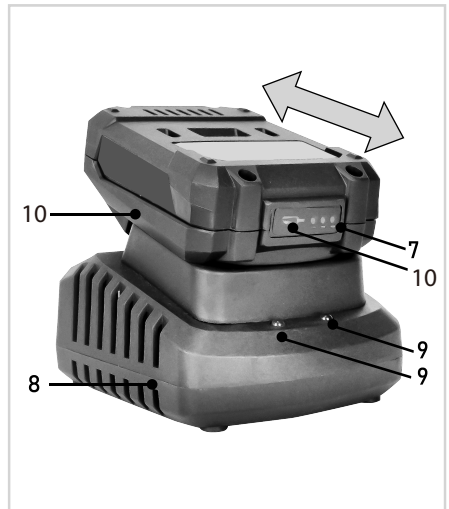
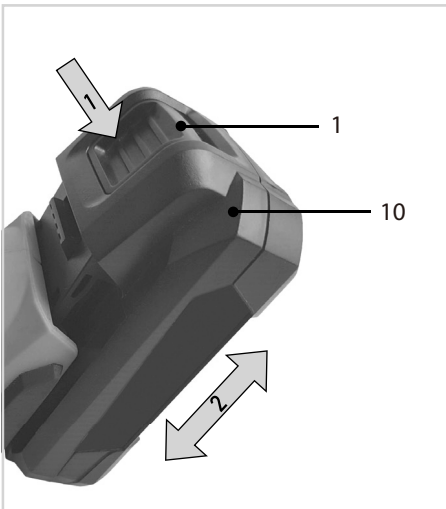
Height Adjustable Handle

The auxiliary handle is angle adjustable. To assemble the handle, press the unlock button (4) on both side and assemble the handle with the machine. To adjust the angle of the handle, press the unlock button (4) and adjust the handle to the ideal angle of work. To remove the handle, press the unlock button (4) and take the handle off from the machine.

Setting The Trimmer Head Angle

The angle of the trimmer head can be set to different working positions. Press the "PUSH" button (5) with one hand and rotate the trimmer head to the required position. Release the "PUSH" button (5) and the head will lock into place. There are 4 preset lock positions.

BATTERY





Before any work on the power tool, remove the battery.



The battery must be charged before first use.

Checking the battery charging status

- To check the battery charge status, push the button (6) on battery shortly.
- The battery has 3 lights indicating the charge level, the more lights that burn, the more charge the battery has left.
- When the lights are not burning it means the battery is empty and must be charged immediately.

Charging the battery with the charger

- Take the battery (2) from the machine.
- Turn the battery (2) to upside down position and slide it onto the charger (8) as shown in Fig. D.
- Push the battery until it is fully pushed into the slot.
- Plug the charger plug into an electrical outlet and wait for a while. The LED indicators (10) charger (13) will lighten up and show the charger status.

The LED indicators (9) will lighten up and show the charger status.

Red LED Status	Green LED status	Charger status
Off	Off	No power
Off	On	Standby mode: -No battery is inserted or, -Battery inserted but charging has finished
On	Off	Battery charging in progress

- Fully charging the 2Ah battery may take up to 60 minutes.
- Fully charging the 4 Ah battery may up to 120 minutes.

After the battery is fully charged remove the charger plug from the outlet and remove the battery from the charger.



When the machine is not being used over a longer period of time it is best to store the battery in charged condition.

TROUBLESHOOTING

PROBLEM	POSSIBLE CAUSE	SOLUTION
The unit fails to start when trigger lock button is depressed.	The battery pack is not installed tightly.	Make sure that you tightly install the battery pack in the machine.
	The battery pack is out of power.	Charge the battery pack.
The unit stops while cutting.	The battery pack is disconnected from the tool.	Re-install the battery pack.
	The motor is overloaded.	Remove the trimmer head from the grass. The motor will recover to work as soon as the load is removed.
	The machine is defective.	please contact our customer service: +1 833 635 0955 snapfresh@afterservice.vip
The string trimmer line does not feed automatically.	The trimmer line gets tangled.	Remove the spool cap and untangled the trimmer line, then re-wrap the line and keep it taut.

MAINTENANCE

Attention! Always remove the battery before carrying out any work on the machine. To clean the tool, use a dry or moist, but not wet towel. Many cleaning agents contain chemical substances which may cause damage to the plastic parts of the tool. Do not use any strong or flammable cleaners such as petrol, paint thinner, turpentine or similar cleaning agents. Always keep air ventilation holes free of dust deposits to prevent overheating. Wear a dust mask and use a soft brush to clean the ventilation holes.

Servicing this tool must be done by a qualified person only. Service or maintenance performed by unqualified personnel could result in a risk of injury.

If the tool does not work properly, return the tool to a service facility for repair.

If the electrical cable is damaged, it may only be replaced by the supplier or by his repair workshop.

Battery disposal:



This symbol indicates that the batteries supplied with this product must not be treated as general household waste. To remove them safely, you must bring them to your retailer or discard them in special containers provided for the community. At the end of the device's life, remember to remove the batteries.

WARRANTY

Ningbo Winbay Technology Co.,Ltd. (Hereinafter referred to as Babytec) warrants this product against defects in materials and/or workmanship under normal use for a period of ONE (1) YEAR from the date of purchase by the original purchaser ('Warranty Period').

The following circumstances are excluded from this guarantee:

- Repairs and or alterations have been made or attempted to the machine by unauthorized service centers;
- Normal wear and tear;
- The tool has been abused, misused or improperly maintained;
- Non-original spare parts have been used.

If a defect arises and a valid claim is received within the Warranty Period, at its option, Babytec will either 1) repair the defect at no charge, using new or refurbished replacement parts, or 2) replace the product with a new product that is at least functionally equivalent to the original product, or provide a store credit in the amount of the purchase price of the original product. A replacement product or part, including a part installed in accordance with instructions product by Babytec, assumes the remaining warranty of the original product. When a product or part is exchanged, any replacement item becomes your property and the replaced item becomes Babytec's property. When a store credit is given, the original product must be returned to Babytec and becomes Babytec's property. To obtain warranty service, e-mail Babytec Warranty Service at snapfresh@afterservice.vip. Please be prepared to describe the product that needs service and the nature of the problem.

Scan here to contact us

[24Hrs Online]



<https://snapfresh.afterservice.vip>



+1 833 635 0955

(Monday - Friday 9 a.m. - 5 p.m. EST / 6 a.m. - 2 p.m. PST)

